

Humidistat

For detection of relative humidity. For regulation or control of fans, drying units and humidifiers. Installation in an air duct or on a wall. With single-pole changeover contact and temperature compensation. NEMA 13 / IP55 verified.


Type Overview

| Type | Output signal | Probe length | Additional features |
|----------|---------------|--------------|---------------------|
| 01DH-10N | Switch | 156 mm | Auto reset |

Technical Data

| | | |
|------------------------|-----------------------------------|---|
| Electrical data | Electrical connection | 1.5 mm ² Cu wire or 1.0 mm ² Cu strands (2-wire) |
| | Cable entry | Cable gland with strain relief Ø6...8 mm |
| Functional data | Output signal switch note | changeover contact, isolated max. switching current 5 (3) A @ AC 250 V max. switching current 300 mA @ DC 220 V min. switching current 100 mA @ AC / DC 24 V |
| | Switching differential (humidity) | Typ. 4% r.H. (fixed) |
| Measuring data | Application | Air |
| | Measuring values | Relative humidity |
| | Measuring range humidity | 15...95% r.H. |
| | Accuracy humidity | Setting accuracy: ±5% r.H. |
| | Long-term stability | -1.5% r.H./a |
| | Time constant τ (63%) in air duct | typical 180 s @ 0.2 m/s |
| Materials | Cable gland | PA6, black |
| | Housing | Cover with lens: Lexan Bottom: PPS, PS and steel Seal: NBR and CR |
| Safety data | Ambient humidity | Max. 90% r.H., non-condensing |
| | Ambient temperature | 0...70°C [32...160°F] |
| | Operating condition air flow | max. 10 m/s |
| | Protection class IEC/EN | II reinforced insulation |
| | EU Conformity | CE Marking |
| | Degree of protection IEC/EN | IP55 |
| | Degree of protection NEMA/UL | NEMA 13 |
| | EMC | CE according to 2014/30/EU |
| | Low voltage directive | CE according to 2014/35/EU |
| | Quality Standard | ISO 9001 |

Safety notes


This device has been designed for use in stationary heating, ventilation and air-conditioning systems and must not be used outside the specified field of application. Unauthorised modifications are prohibited. The product must not be used in relation with any equipment that in case of a failure may threaten humans, animals or assets.

Ensure all power is disconnected before installing. Do not connect to live/operating equipment.

Only authorised specialists may carry out installation. All applicable legal or institutional installation regulations must be complied during installation.

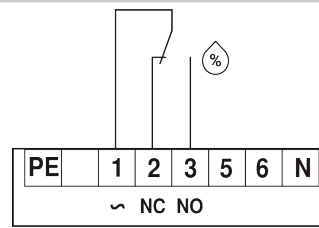
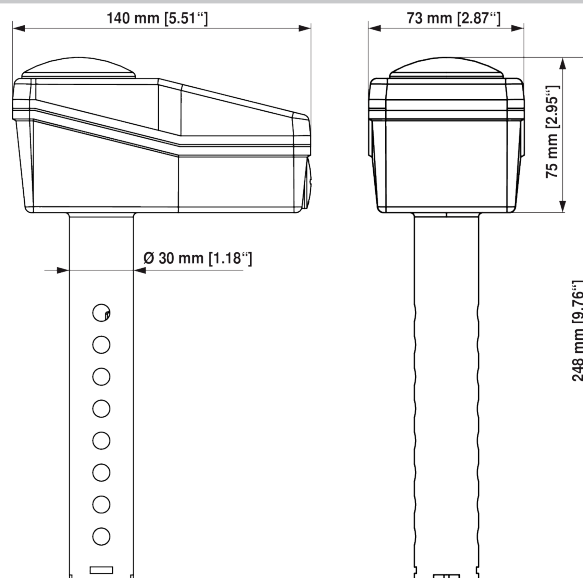
The device contains electrical and electronic components and must not be disposed of as household refuse. All locally valid regulations and requirements must be observed.

Scope of delivery

Installation kit
1/2" NPT conduit adapter

Accessories

| Optional accessories | Description | Type |
|----------------------|--|-------------|
| | Connection adapter, M20x1.5, for cable 1x6 mm, | A-22G-A01.1 |

Wiring diagram

Dimensions


| Type | Weight |
|----------|---------|
| 01DH-10N | 0.40 kg |