



Technical data

<b>Electrical data</b>	Nominal voltage	AC/DC 24 V
	Nominal voltage frequency	50/60 Hz
	Nominal voltage range	AC 19.2...28.8 V / DC 19.2...28.8 V
	Power consumption DC	0.2 W
	Power consumption AC	0.2 VA
	Nominal resistance	100 kΩ
	Linearity	Max. 1%
	Connection supply / control	Terminals 1.5 mm <sup>2</sup> Cu wire or 1.0 mm <sup>2</sup> Cu strands (Cable diameter 5...9.5 mm, 4-wire)
	Controller signal	Control of regulator using switchable jumper - Jumper set: 0...20 mA → 0...10 V (Factory setting) - Jumper removed: 0...20 mA → 0...20 mA
	Output load	On the 4...20 mA-Output: 0...600 Ω (wire resistance + controller input resistance)
<b>Safety data</b>	Protection class IEC/EN	III, Safety Extra-Low Voltage (SELV)
	Degree of protection IEC/EN	IP66
	EMC	CE according to 2014/30/EU
	Mode of operation	Type 1
	Rated impulse voltage supply	0.8 kV
	Pollution degree	3
	Ambient temperature	-30...50°C
	Storage temperature	-40...80°C
	Ambient humidity	Max. 95% RH, non-condensing
Servicing	maintenance-free	
<b>Weight</b>	Weight	0.23 kg
<b>Housing colours</b>	Housing cover	grey RAL 7035
	Housing base	grey RAL 7035

Safety notes



- Supply and control are not electrically isolated from one another.
- The device must not be used outside the specified field of application, especially not in aircraft or in any other airborne means of transport.
- Outdoor applications: only possible if no (sea) water, snow, ice, solar radiation and aggressive gases act directly on the device, and it is guaranteed that the ambient conditions are always within the limit values according to the data sheet.
- Only authorised specialists may carry out installation. All applicable legal or institutional installation regulations must be complied during installation.
- The device contains electrical and electronic components and must not be disposed of as household refuse. All locally valid regulations and requirements must be observed.

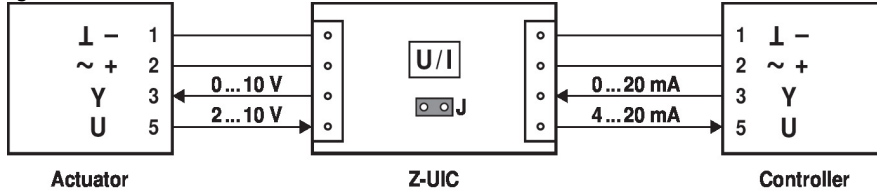
Electrical installation



For restrictions with respect to maximum signal cable length, see actuator data sheets

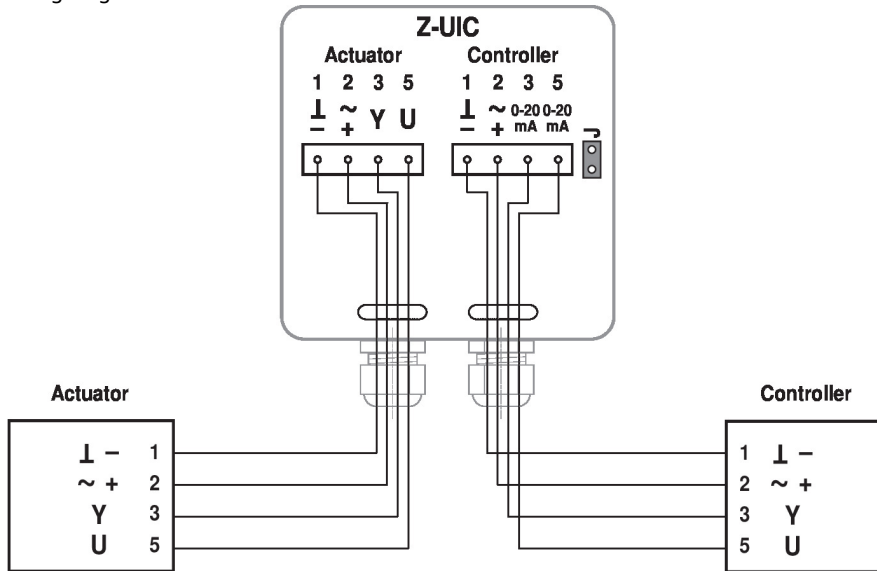
Wiring diagrams

Signal flow



- with jumper for actuators SR-, MF- and MP actuators (above)  
 - without jumper for SM24A-MA actuator (below)

Wiring diagram



Dimensions

Dimensional drawings

