

Steel ball valve - DN15-50, PN40

Type 61103 / 64103 - Reduced bore

Flange × Flange

Fully welded steel ball valve.

Materials

See next page.

Applications

Isolating valve for heating systems, district heating, cooling and industrial purpose.

Media

Water, air and other media not decomposing the steel. Not suitable for steam. If in doubt, please contact BROEN Ballomax® Sales Department.

Surface treatment

Eco-friendly protection finish against corrosion.

Operation

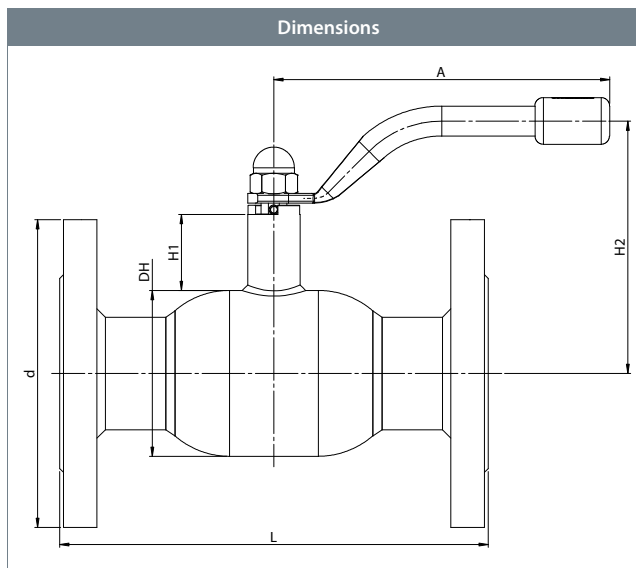
The standard handle is 180 degrees adjustable.

Approvals and certificates

BROEN is certified according to ISO 9001 and environmentally certified according to ISO 14001. BROEN Ballomax® is approved according to the requirements of Pressure Equipment Directive (PED). All ball valves as from DN40 are CE-marked. The 3.1 certificate is available upon request.

Notice

Other lengths and special flanges available on request.



DN	BROEN No.	Bore	Kvs	net Weight kg	All dimensions in mm					
					DH	d	L	H1	H2	A
15	61103015 010	10	8	1.5	38	95	130	50	116	140
20	64103020 010	15	15	2.9	42	105	150	47	85	140
25	64103025 010	20	27	3.5	51	115	160	47	89	140
32	64103032 010	25	40	4.8	57	140	180	48	93	140
40	64103040 010	32	69	6.2	76	150	200	41	108	180
50	64103050 010	40	110	8.2	89	165	230	41	114	180

Steel ball valve - DN15-50, PN40

Type 61103 / 64103 - **Reduced bore**

Technical drawing		Material description	
	2	Flange	Steel - S235JRG2 / 1.0038 / EN 10025-2
	5	Valve body	Steel - P235GH / 1.0345 / EN 10217-2
	6	Ball	Stainless steel - AISI304L / 1.4306 / EN 10217-7
	7	Seat ring	PTFE 20% Carbon
	8	Back-up ring	Steel - DC01 / 1.0330 / EN 10130
	9	Disc spring	Steel - C75S / 1.1248 / EN 10132-4
	10	Neck ring	Steel - S355J2+N / 1.0570 / EN 10025-2
	11	Stem guide	Steel - S355J2+N / 1.0570 / EN 10025-2
	12	Stem	Stainless steel - ASTM420 / 1.4021 / EN 10088-3
	13	Stem washer	Stainless steel - AISI304 / 1.4301 / EN 10088-3
	14	Friction washer	PTFE 20% Carbon
	15	O-ring	Rubber - EPDM70
	16	Back-up ring	PTFE 20% Carbon
	17	O-ring	Rubber - FPM70
	18	Intermediate ring	Stainless steel - AISI303 / 1.4305 / EN 10088-3
	19	Pin	Steel - hardenat
	20	Handle	Steel
	21	Cap nut	Steel - galvanized

Accessories	BROEN No.	Dimension	Description
	66050010 000 - yellow	DN15-32	T-handles in three different colors - yellow, blue and red. Factory fitted T-handle on request.
	66050010 003 - blue		
	66050010 004 - red		
	66050040 000 - yellow	DN40-50	
	66050040 003 - blue		
	66050040 004 - red		
	203245	DN15-32	ISO-flange.
	208245	DN40-50	
	66160010 000	DN15-32	Hexagon for insertion key.
	66160040 000	DN40-50	

Special model: Minimum length - Flange x Flange - DN15-50:

DN	Standard length - mm	Minimum length - mm
15	130	On request
20	150	118
25	160	130
32	180	135
40	200	150
50	230	165