

# Steel ball valve - DN100-150, PN25

**Type 91102 - Full bore**

**Welding × Welding with ISO-flange and BROEN-Gear**

Fully welded steel ball valve.

**Materials**

See next page.

**Applications**

Isolating valve for heating systems, district heating, cooling and industrial purpose.

**Media**

Water, air and other media not decomposing the steel. Not suitable for steam. If in doubt, please contact BROEN BALLOMAX® Sales Department.

**Surface treatment**

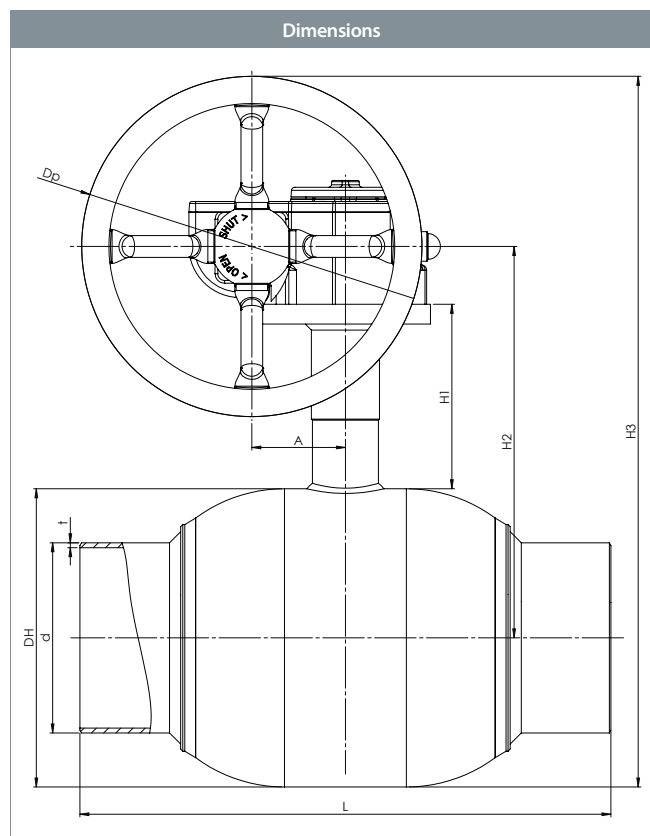
Eco-friendly protection finish against corrosion.

**Operation**

Optional column extension.

**Approvals and certificates**

BROEN is certified according to ISO 9001 and environmentally certified according to ISO 14001. BROEN BALLOMAX® is approved according to the requirements of Pressure Equipment Directive (PED). All ball valves as from DN40 are CE-marked. The 3.1 certificate is available upon request.



					All dimensions in mm								
DN	BROEN No.	Bore	Kvs	net Weight kg	DH	d	t	L	H1	H2	H3	Dp	A
100	9110225100 480	100	1159	23.20	178	114.3	3.6	380	132	221	424	160	52.5
125	9110225125 480	125	1841	32.53	219	139.7	3.6	380	135	245	522	250	69.0
150	9110225150 480	150	2652	40.38	267	168.3	4.0	390	155	289	590	250	69.0

## Steel ball valve - DN100-150, PN25

Type 91102 - Full bore



Technical drawing		Material description	
	1	Welding	Steel - P235GH / 1.0345 / EN 10217-2
	5	Valve body	Steel - P235GH / 1.0345 / EN 10217-2
	6	Ball	Stainless steel - AISI304L / 1.4306 / EN 10217-7
	7	Seat ring	PTFE 20% Carbon
	8	Back-up ring	Steel - DC01 / 1.0330 / EN 10130
	9	Disc spring	Steel - C75S / 1.1248 / EN 10132-4
	11	Stem guide	Steel - S355J2+N / 1.0570 / EN 10025-2
	12	Stem	Stainless steel - ASTM420 / 1.4021 / EN 10088-3
	15	O-ring	Rubber - EPDM70
	16	Back-up ring	PTFE 20% Carbon
	17	O-ring	Rubber - FPM70
	18	Intermediate ring	Stainless steel - AISI303 / 1.4305 / EN 10088-3
	22	Bearing	Steel - PTFE
	23	ISO-flange	Steel - S235JRG2 / 1.0038 / EN 10025-2
25	Friction gasket	PTFE 20% Carbon	
30	Circlip	Steel	
47	Gear	-	