

Steel ball valve - DN65-150, PN25

Type 64102 - Reduced bore

Welding × Welding

Fully welded steel ball valve.

Materials

See next page.

Applications

Isolating valve for heating systems, district heating, cooling and industrial purpose.

Media

Water, air and other media not decomposing the steel. Not suitable for steam. If in doubt, please contact BROEN Ballomax® Sales Department.

Surface treatment

Eco-friendly protection finish against corrosion.

Operation

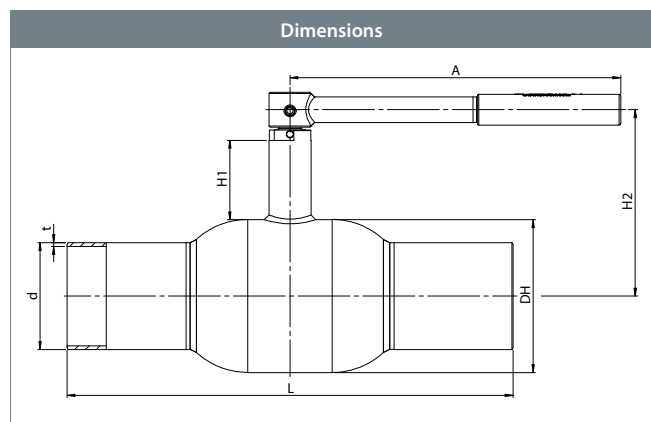
The standard handle is 180 degrees adjustable.

Approvals and certificates

BROEN is certified according to ISO 9001 and environmentally certified according to ISO 14001. BROEN Ballomax® is approved according to the requirements of Pressure Equipment Directive (PED). All ball valves as from DN40 are CE-marked. The 3.1 certificate is available upon request.

Notice

ISO-flange can be mounted on request.



DN	BROEN No.	Bore	Kvs	net Weight kg	All dimensions in mm						
					DH	d	t	L	H1	H2	A
65	64102065 010	50	180	5.0	108	76.1	2.9	360	66	144	275
80	64102080 010	65	288	6.5	127	88.9	3.2	370	66	154	275
100	64102100 010	85	470	9.8	152	114.3	3.6	390	81	193	365
125	64102125 010	100	699	12.4	178	139.7	3.6	390	91	211	365
150	64102150 010	125	1046	21.1	219	168.3	4.0	390	101	249	650

Steel ball valve - DN65-150, PN25

Type 64102 - Reduced bore

Technical drawing		Material description	
	1	Welding	Steel - P235GH / 1.0345 / EN 10217-2
	5	Valve body	Steel - P235GH / 1.0345 / EN 10217-2
	6	Ball	Stainless steel - AISI304L / 1.4306 / EN 10217-7
	7	Seat ring	PTFE 20% Carbon
	8	Back-up ring	Steel - DC01 / 1.0330 / EN 10130
	9	Disc spring	Steel - C75S / 1.1248 / EN 10132-4
	10	Neck ring	Steel - S355J2+N / 1.0570 / EN 10025-2
	11	Stem guide	Steel - S355J2+N / 1.0570 / EN 10025-2
	12	Stem	Stainless steel - ASTM420 / 1.4021 / EN 10088-3
	13	Stem washer	Stainless steel - AISI304 / 1.4301 / EN 10088-3
	14	Friction washer	PTFE 20% Carbon
	15	O-ring	Rubber - EPDM70
	16	Back-up ring	PTFE 20% Carbon
	17	O-ring	Rubber - FPM70
	18	Intermediate ring	Stainless steel - AISI303 / 1.4305 / EN 10088-3
	19	Pin	Steel - hardenit
	20	Handle	Steel
	22	Bearing	Steel - PTFE

Accessories	BROEN No.	Dimension	Description
	167245	DN65-80	ISO-flange.
	169245	DN100	