

Steel ball valve - DN65-125, PN25

Type 94102 - Full bore

Welding × Welding

Fully welded steel ball valve.

Materials

See next page.

Applications

Isolating valve for heating systems, district heating, cooling and industrial purpose.

Media

Water, air and other media not decomposing the steel. Not suitable for steam. If in doubt, please contact BROEN BALLOMAX® Sales Department.

Surface treatment

Eco-friendly protection finish against corrosion.

Operation

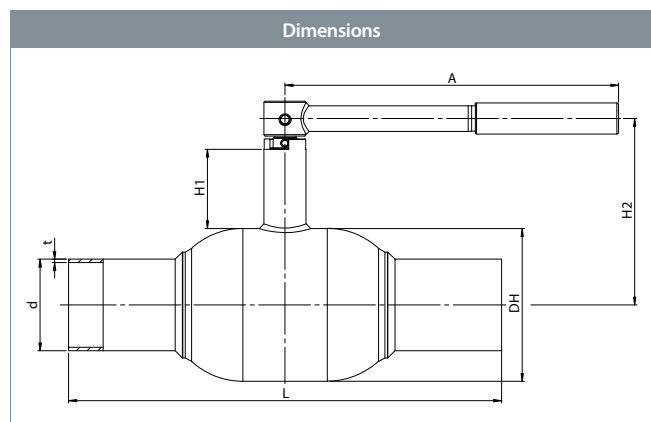
The standard handle is 180 degrees adjustable.

Approvals and certificates

BROEN is certified according to ISO 9001 and environmentally certified according to ISO 14001. BROEN BALLOMAX® is approved according to the requirements of Pressure Equipment Directive (PED). All ball valves as from DN40 are CE-marked. The 3.1 certificate is available upon request.

Notice

ISO-flange can be mounted on request. We recommend to add a BROEN-Gear for DN100-125.



| DN | BROEN No. | Bore | Kvs | net Weight kg | All dimensions in mm | | | | | | |
|-----|----------------|------|------|---------------|----------------------|-------|-----|-----|----|-----|-----|
| | | | | | DH | d | t | L | H1 | H2 | A |
| 65 | 9410225065 010 | 65 | 498 | 6.70 | 127 | 76.1 | 2.9 | 360 | 66 | 155 | 275 |
| 80 | 9410225080 010 | 80 | 754 | 10.51 | 152 | 88.9 | 3.2 | 370 | 81 | 192 | 365 |
| 100 | 9410225100 010 | 100 | 1159 | 14.30 | 178 | 114.3 | 3.6 | 390 | 91 | 218 | 365 |
| 125 | 9410225125 010 | 125 | 1841 | 25.20 | 219 | 133.7 | 3.6 | 390 | 90 | 248 | 650 |

Steel ball valve - DN65-125, PN25

Type 94102 - Full bore



| Technical drawing | | Material description | |
|-------------------|----|----------------------|--|
| | 1 | Welding | Steel - P235GH / 1.0345 / EN 10217-2 |
| | 5 | Valve body | Steel - P235GH / 1.0345 / EN 10217-2 |
| | 6 | Ball | Stainless steel - AISI304L / 1.4306 / EN 10217-7 |
| | 7 | Seat ring | PTFE 20% Carbon |
| | 8 | Back-up ring | Steel - DC01 / 1.0330 / EN 10130 |
| | 9 | Disc spring | Steel - C75S / 1.1248 / EN 10132-4 |
| | 11 | Stem guide | Steel - S355J2+N / 1.0570 / EN 10025-2 |
| | 12 | Stem | Stainless steel - ASTM420 / 1.4021 / EN 10088-3 |
| | 13 | Stem washer | Stainless steel - AISI304 / 1.4301 / EN 10088-3 |
| | 14 | Friction washer | PTFE 20% Carbon |
| | 15 | O-ring | Rubber - EPDM70 |
| | 16 | Back-up ring | PTFE 20% Carbon |
| | 17 | O-ring | Rubber - FPM70 |
| | 18 | Intermediate ring | Stainless steel - AISI303 / 1.4305 / EN 10088-3 |
| | 19 | Pin | Steel - hardenat |
| | 20 | Handle | Steel |
| | 22 | Bearing | Steel - PTFE |

| Accessories | BROEN No. | Dimension | Description |
|-------------|-----------|-----------|-------------|
| | 600584 | DN100 | BROEN-Gear. |
| | 600585 | DN125 | |
| | 167245 | DN65 | ISO-flange. |
| | 169245 | DN80 | |