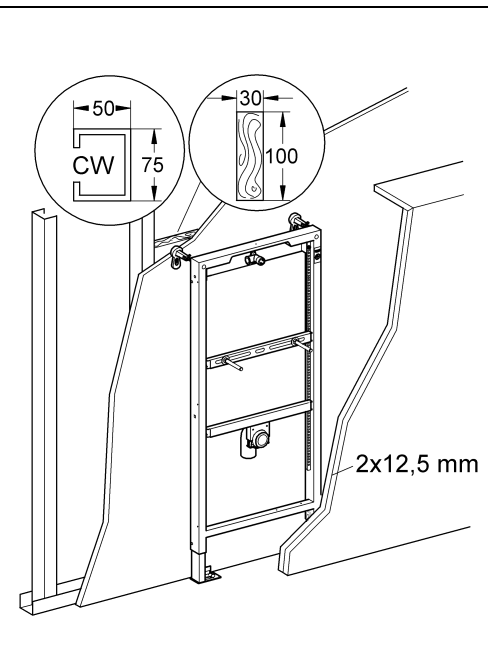
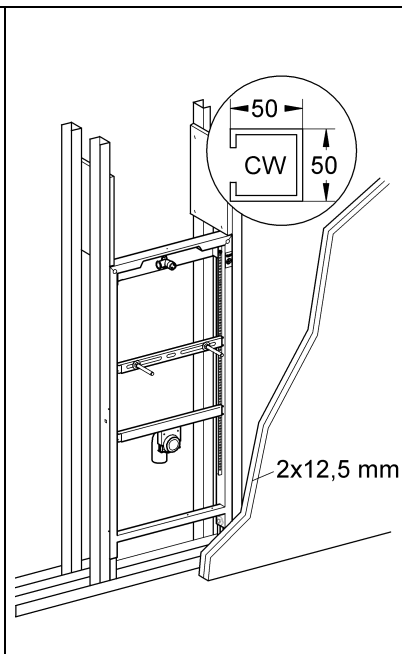
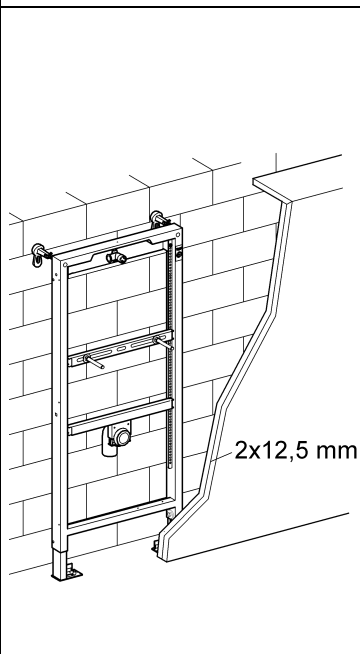
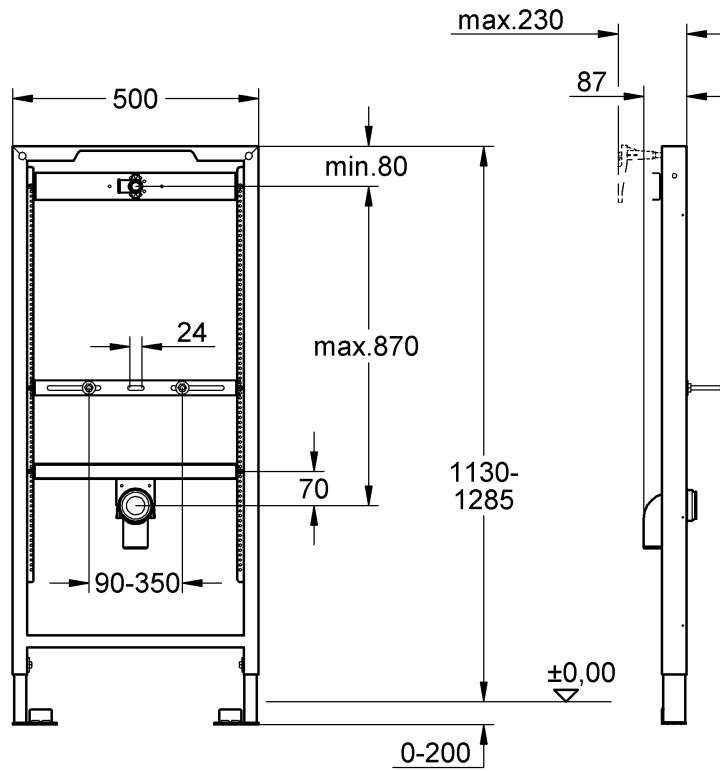


38 517

Rapid SL

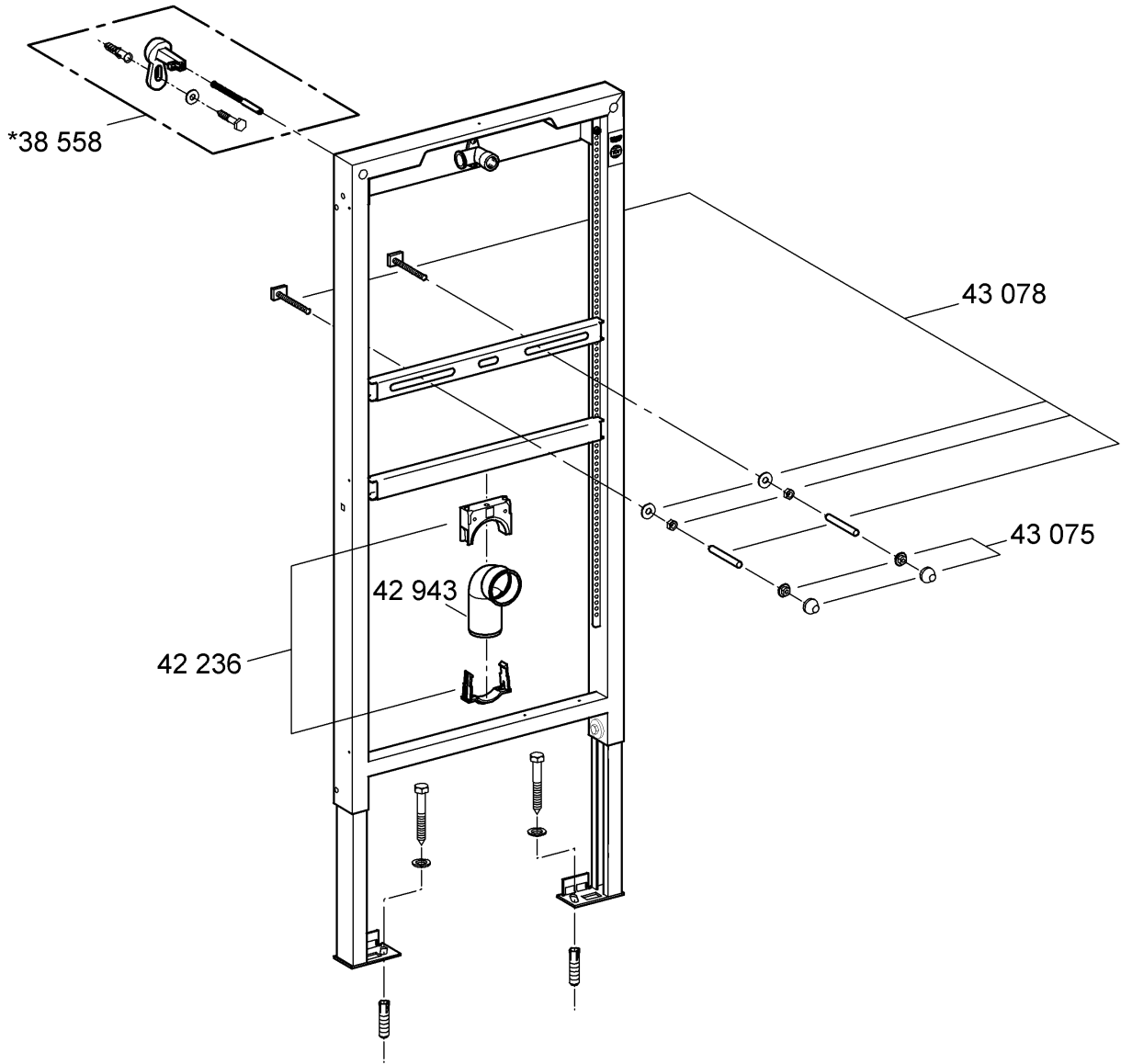


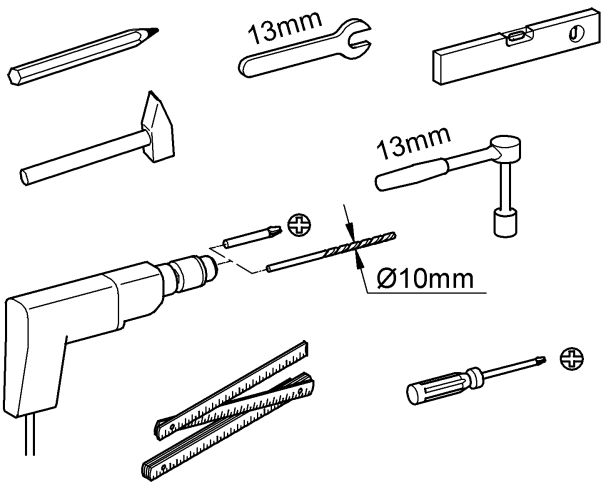
Design & Quality Engineering GROHE Germany



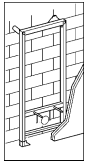
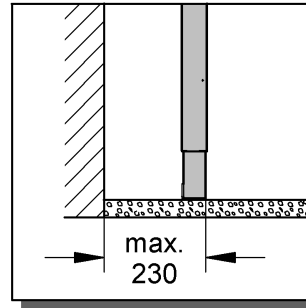
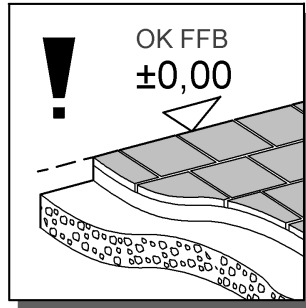
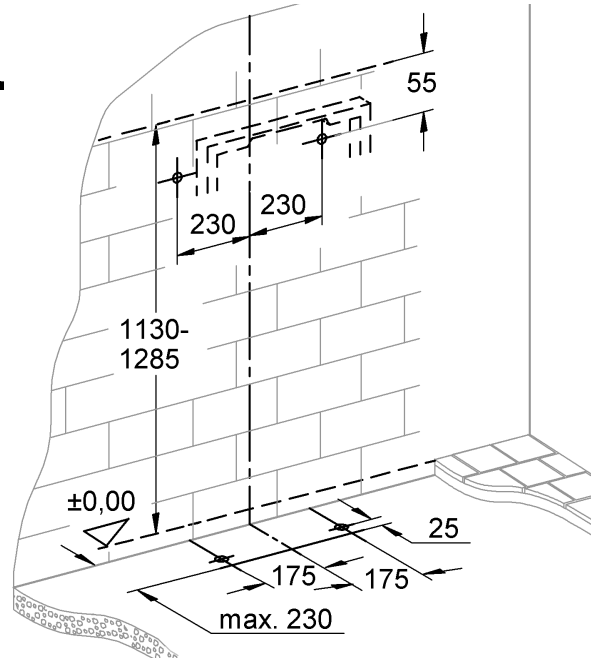
94.715.331/ÄM 218073/06.10

ENJOY WATER®

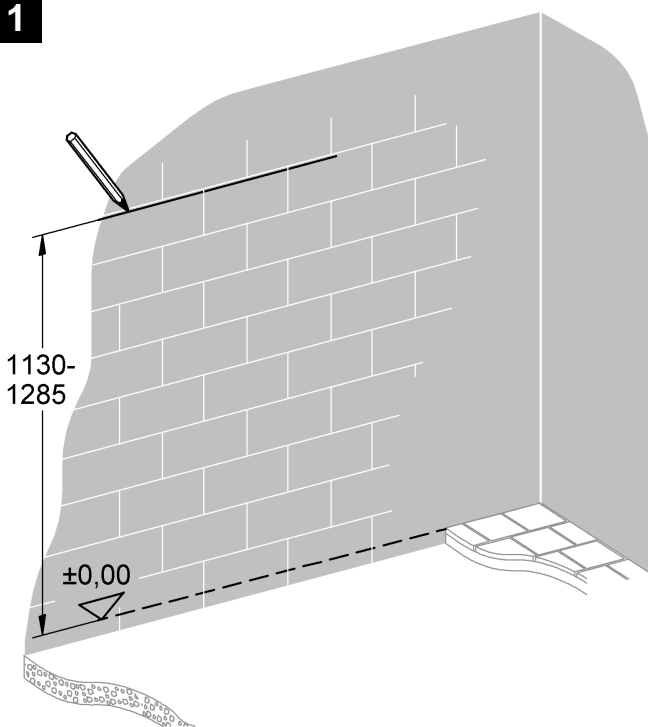




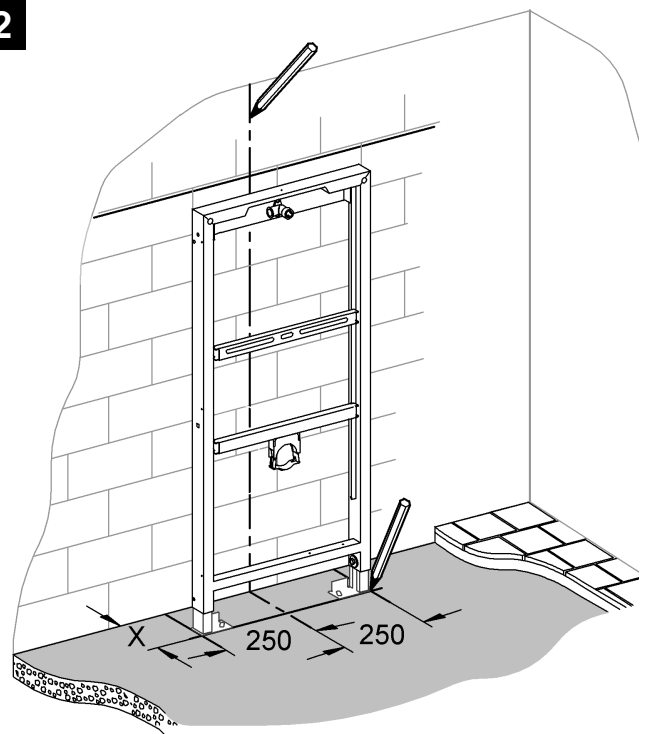
i



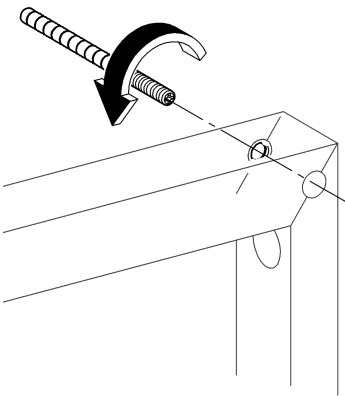
1



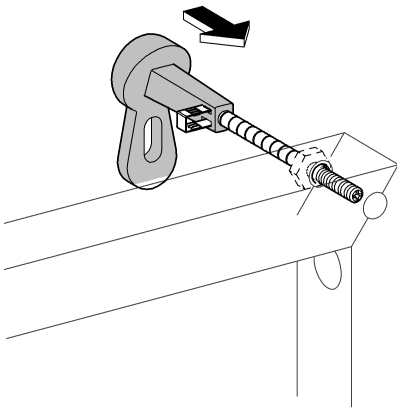
2



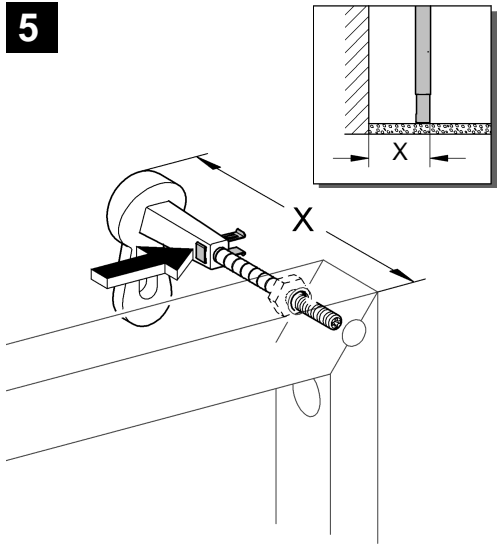
3



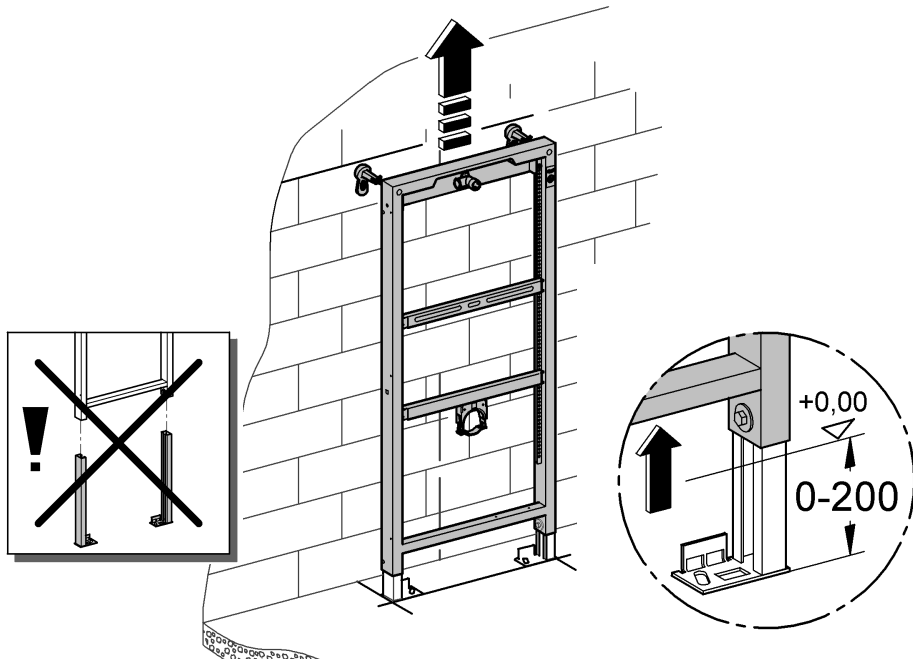
4



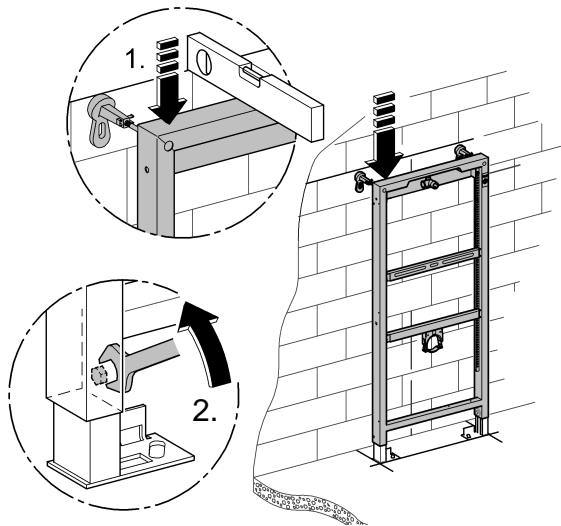
5



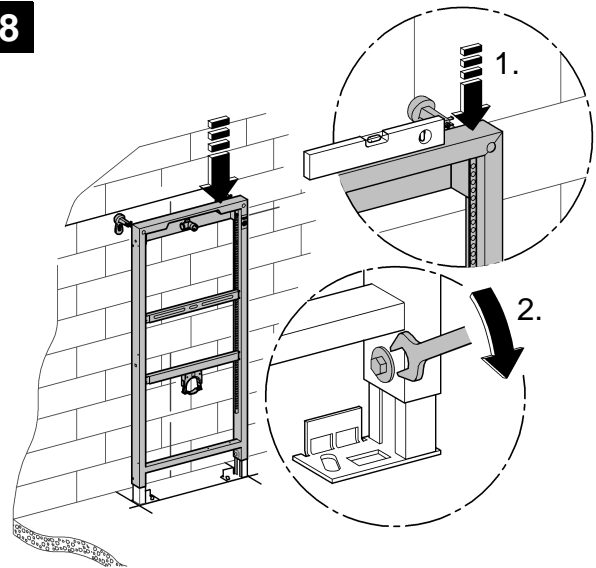
6



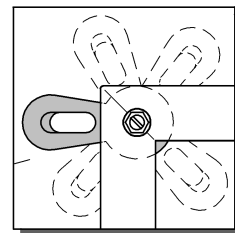
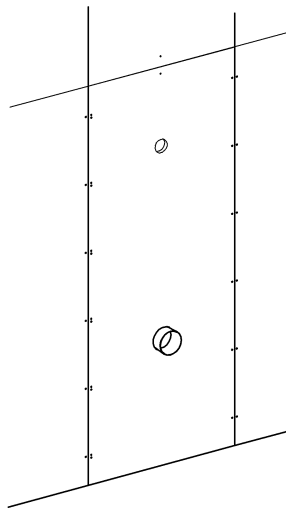
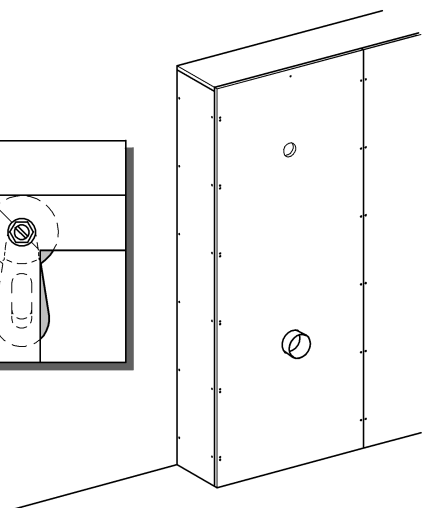
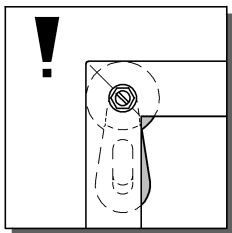
7



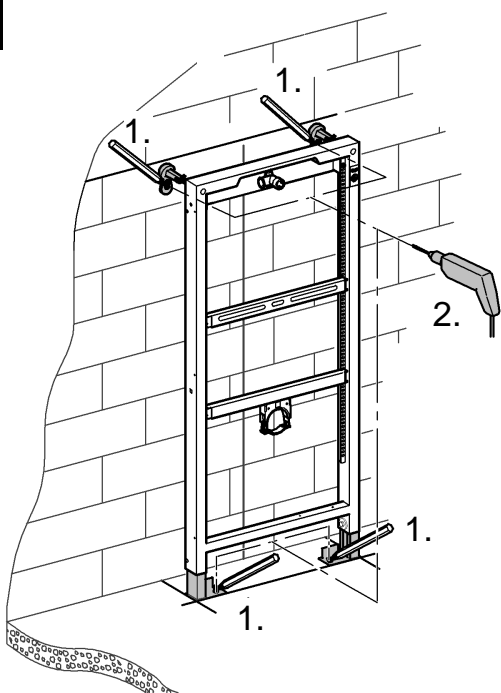
8



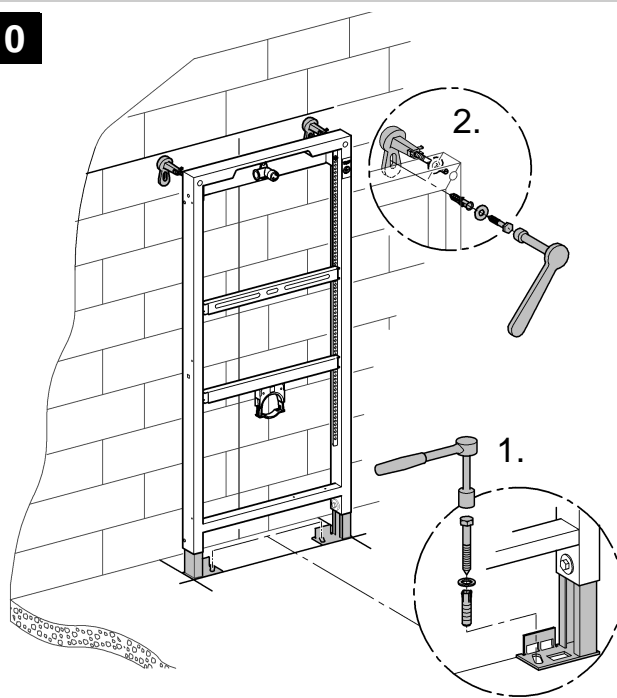
i



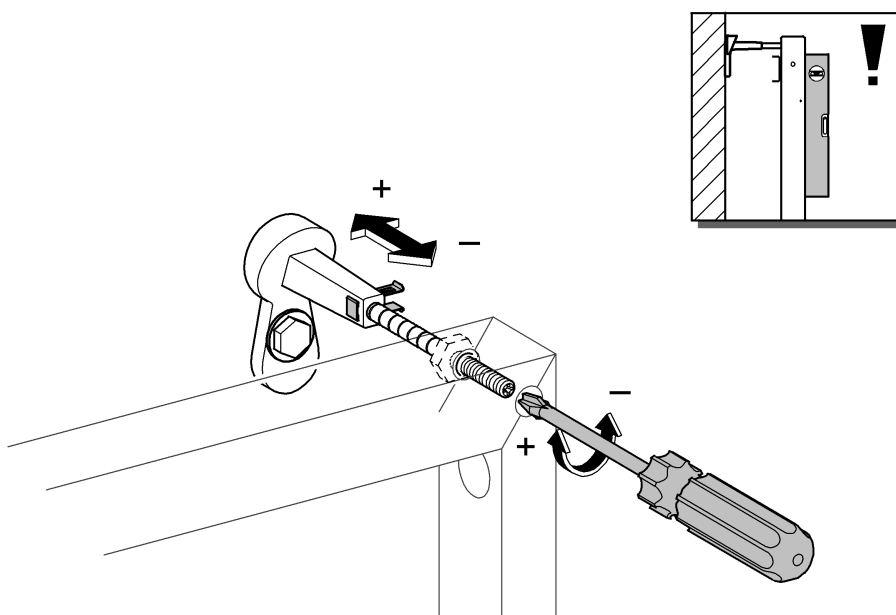
9

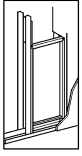


10

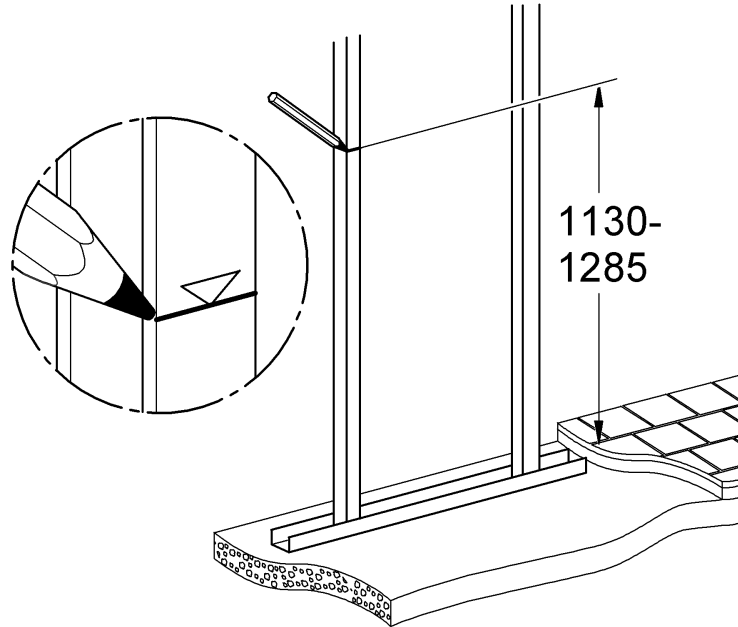


11

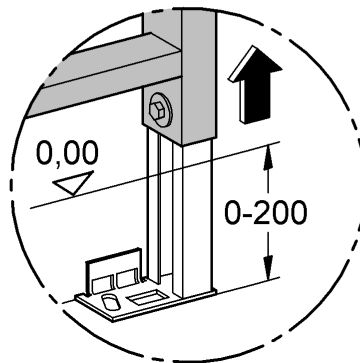
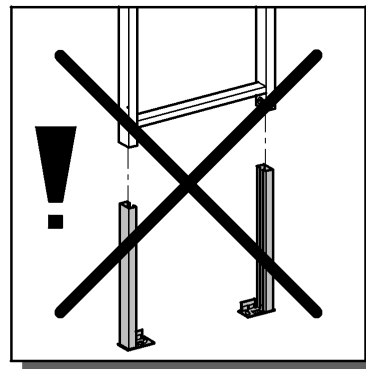
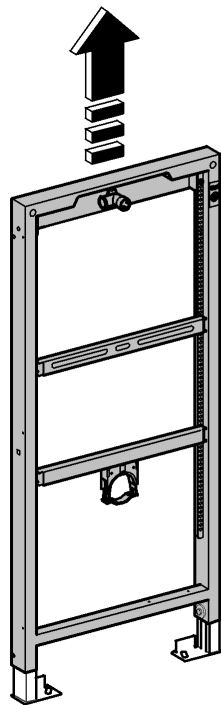




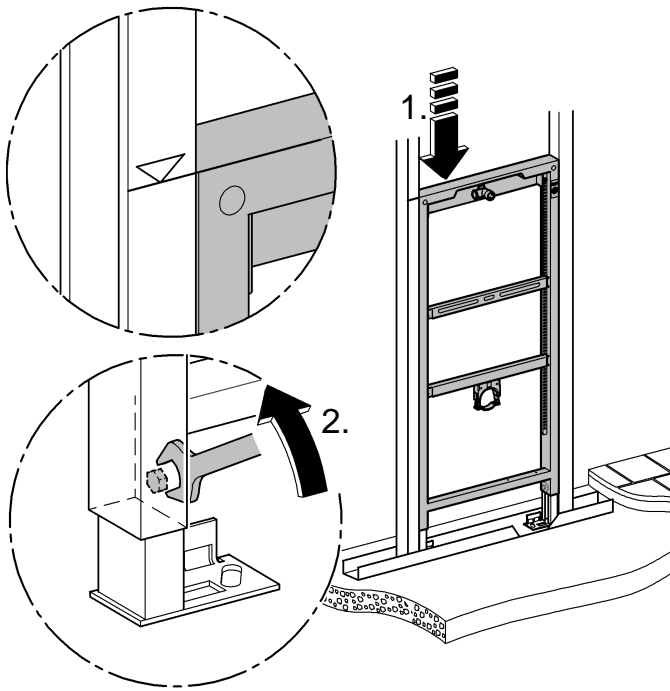
1



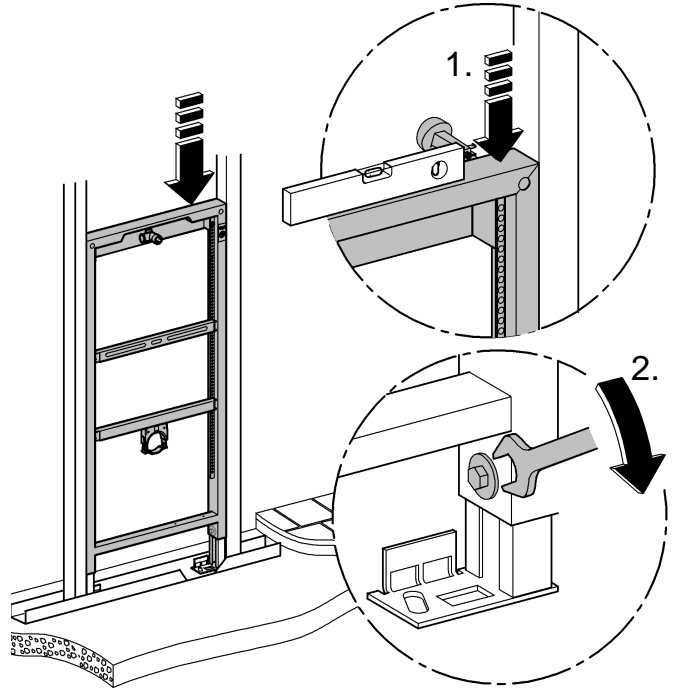
2



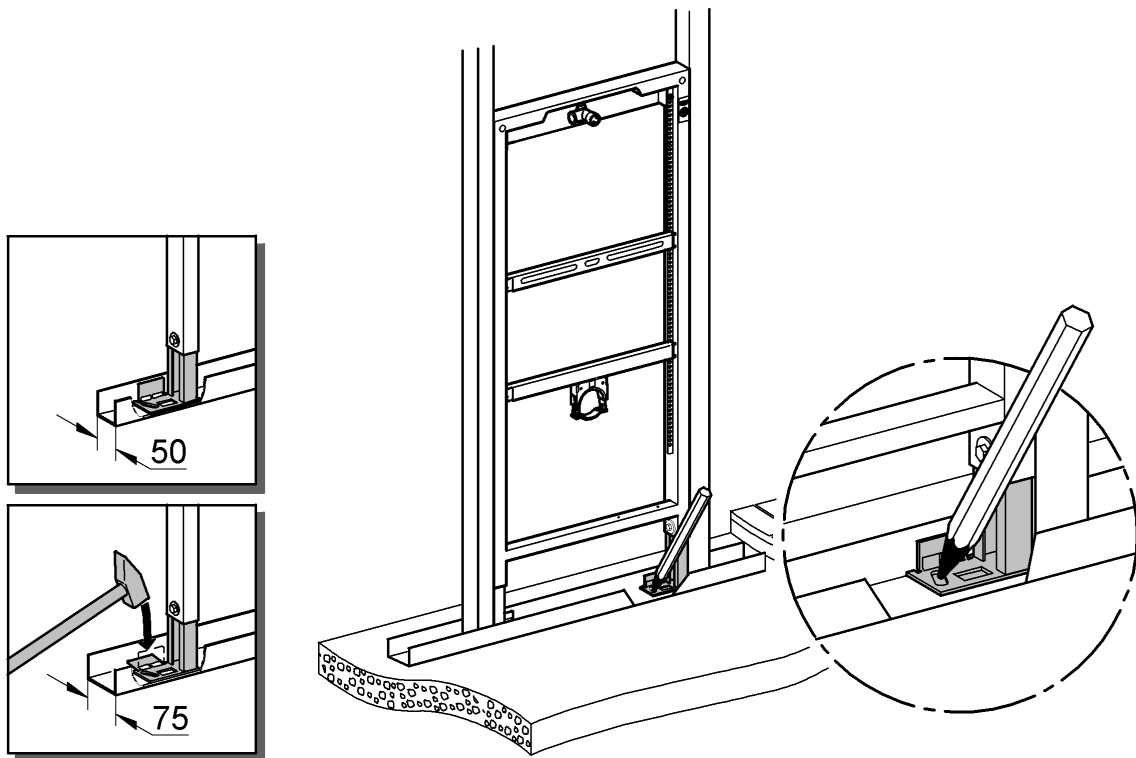
3



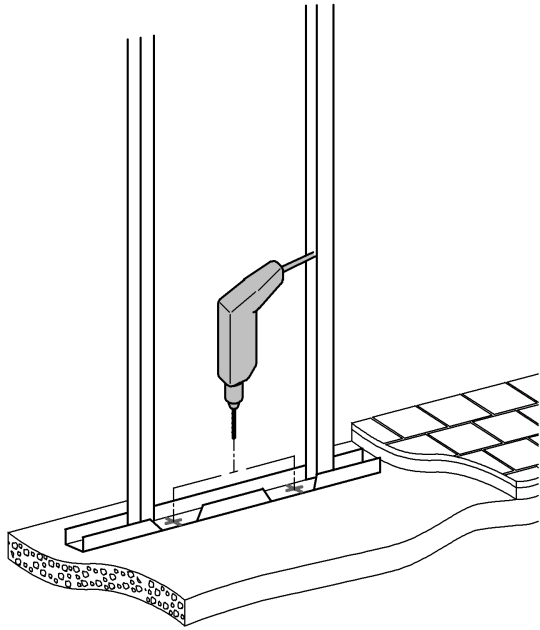
4



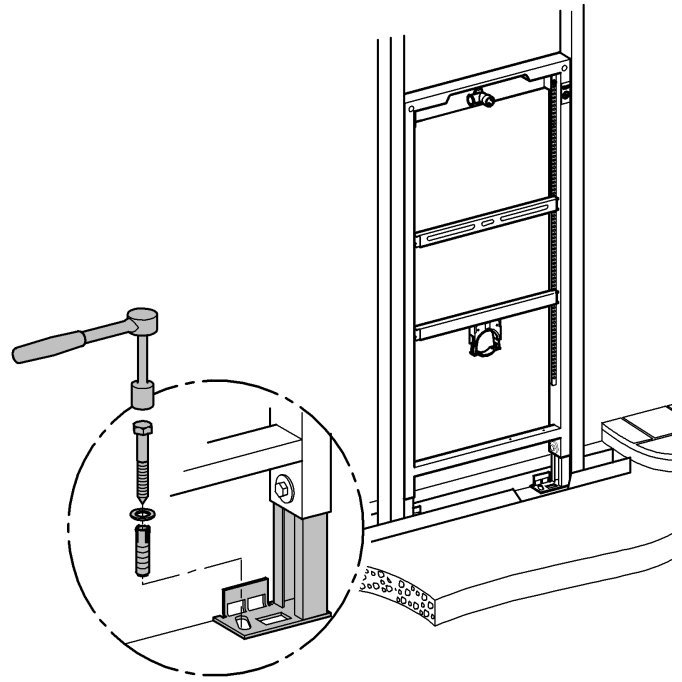
5



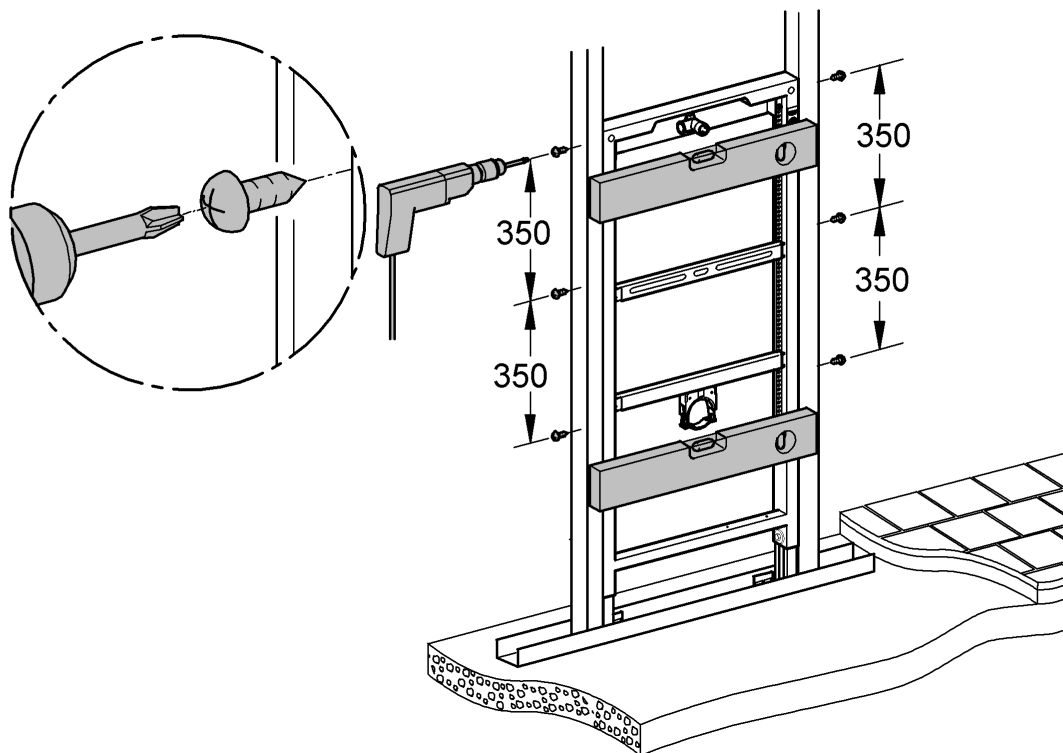
6

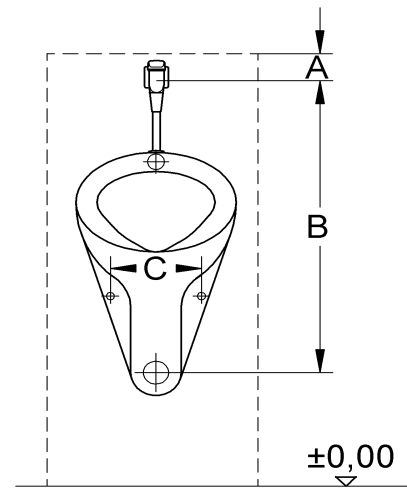
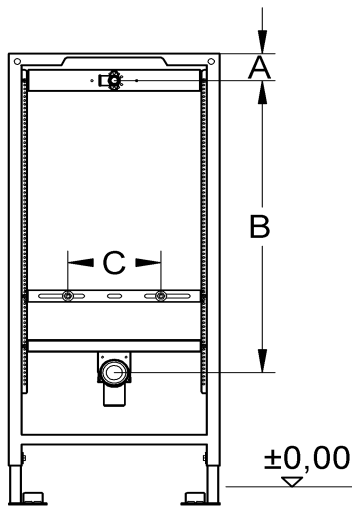
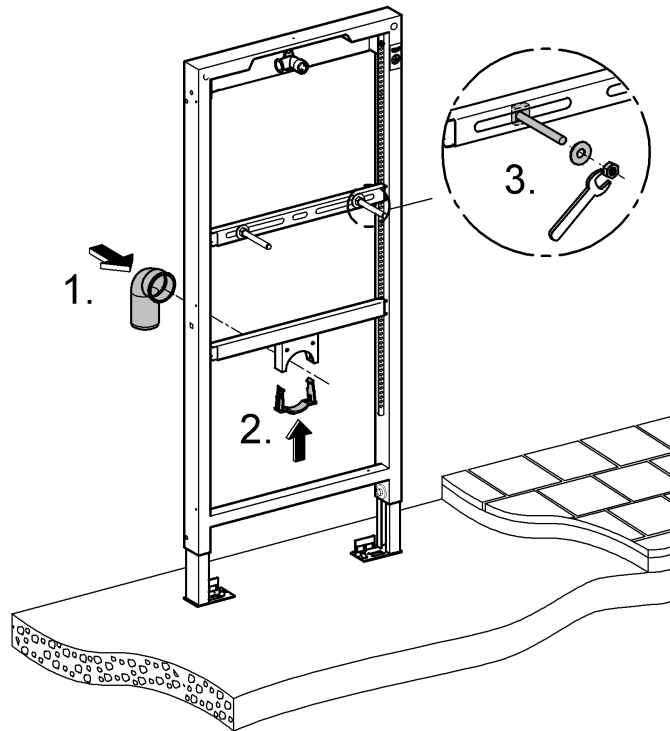
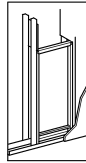
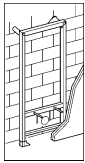


7



8





A	min.80
B	max.870
C	24/ 90 - 350