

## Braukmann VV300

Einbauanleitung • Installation Instructions Instructions de montage • Istruzioni di montaggio

### E1

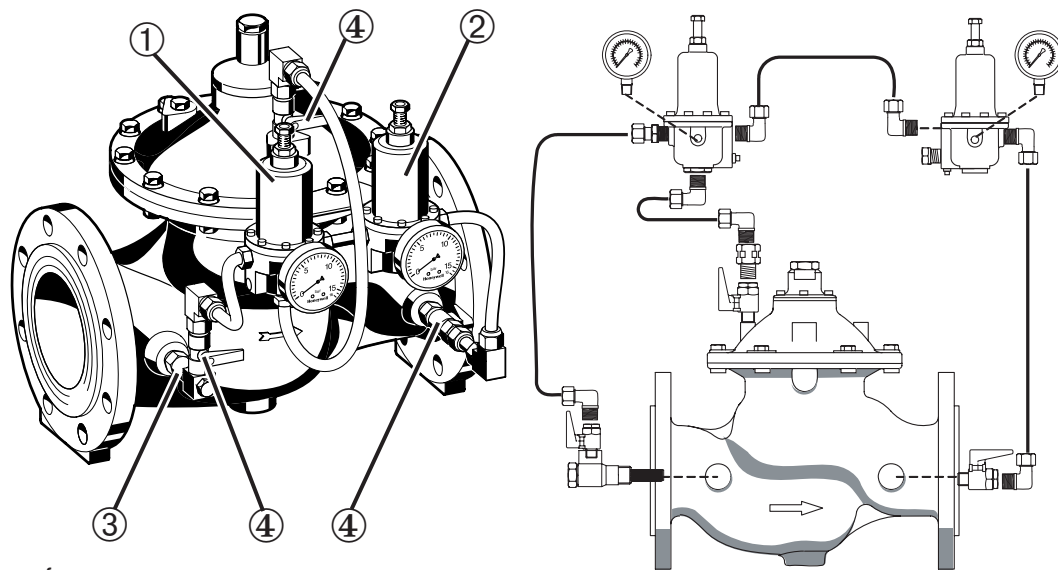
Bauteile • Components • Pièces • Componenti

① = Pilotventil CX-PS  
Pilot valve CX-PS  
Vanne pilote CX-PS  
Valvola pilota CX-PS

② = Pilotventil CX-PR  
Pilot valve CX-PR  
Vanne pilote CX-PR  
Valvola pilota CX-PR

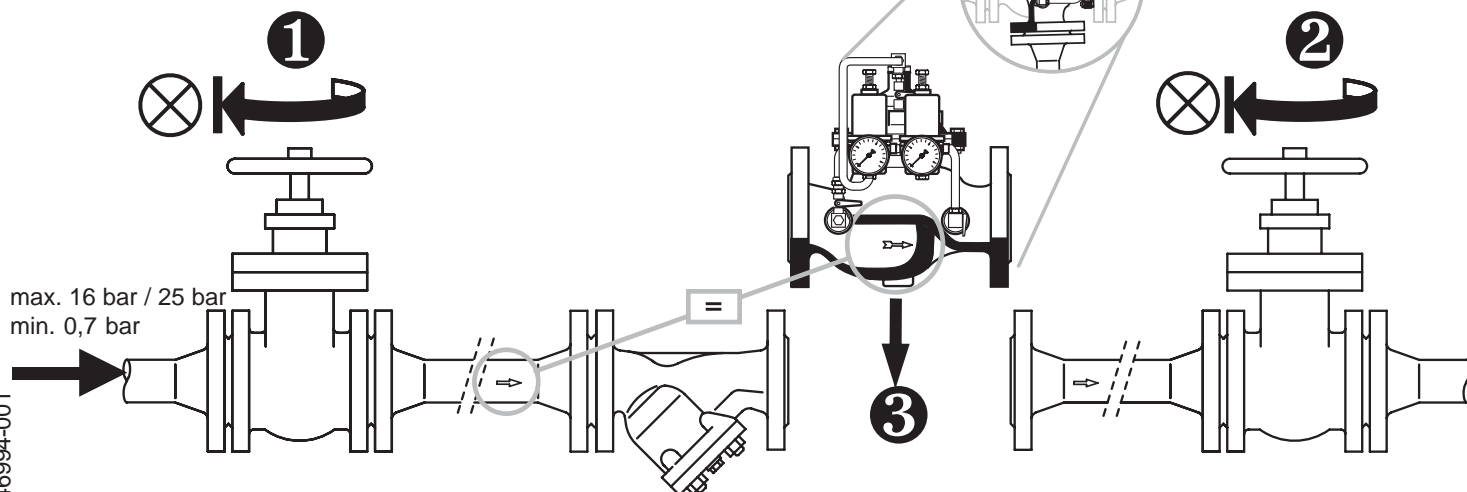
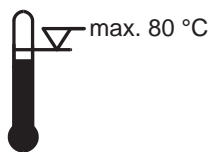
③ = Filtereinsatz  
Filter insert  
Garniture de filtration  
Inserto filtro

④ = Absperr-Kugelhahn  
Manual ball valve  
Clapet à bille  
Valvola di intercettazione a sfera



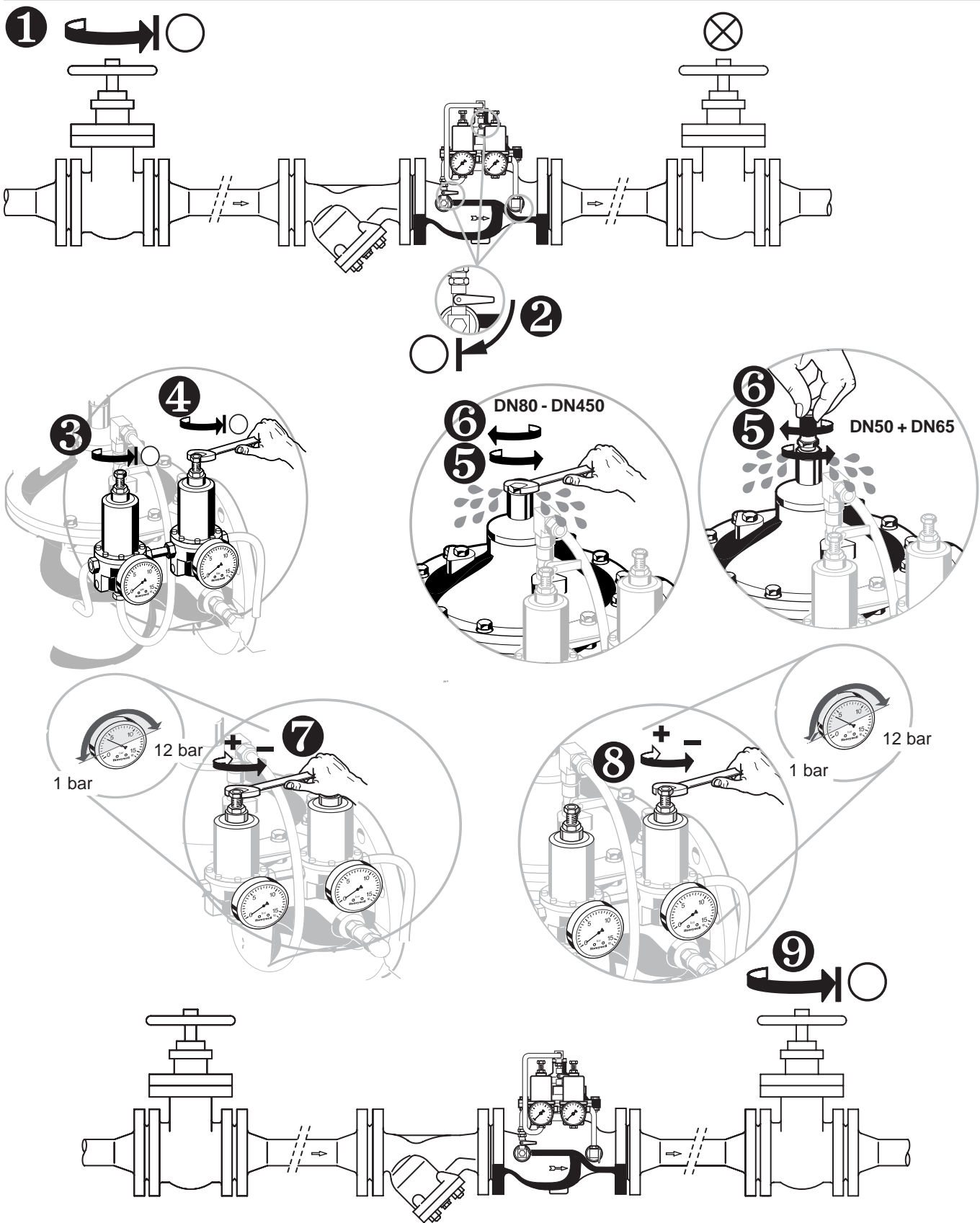
### E2

Einbau • Installation • Installation • Installazione



# E3

Inbetriebnahme • Commissioning • Mise en service  
Messa in servizio



Manufactured for  
and on behalf of  
Pittway Sàrl, Z.A., La Pièce 4,  
1180 Rolle, Switzerland  
by its authorised representative  
Ademco 1 GmbH

Ademco 1 GmbH, Hardhofweg 40,  
74821 MOSBACH, GERMANY

Phone: +49 6261 810  
Fax: +49 6261 81309

Subject to change. MU1H-1337GE23 R0220