



Braukmann E121

Automatic air vent

APPLICATION

The E121 Air Vent is a reliable automatic venting device and is suitable for venting of air or gas from heating systems or heat process installations.

SPECIAL FEATURES

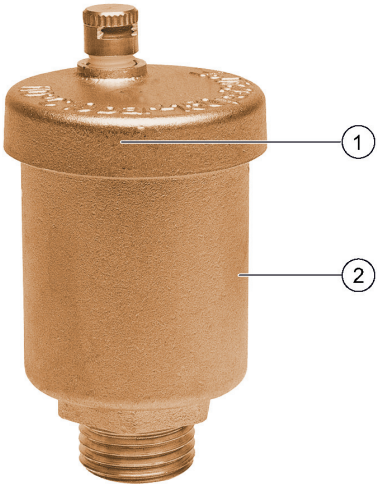
- With the Z121A shut-off valve fitted, cleaning or replacement of the seal and inner components can be carried out without draining the system



TECHNICAL DATA

Media	
Medium:	Water or water-glycol mixture, quality according to VDI 2035 (up to 50 % glycol)
Operating temperatures	
Max. operating temperature medium:	110 °C
Pressure values	
Max. operating pressure:	10 bar
Connections/Sizes	
Connection sizes:	G ^{3/8} " or G ^{1/2} "
Application	
	Hot water heating systems, radiators, wall and ceiling mounted air heaters, air collection vessels, pipe circuits, boilers and air separators.
	Not suitable for mineral oil or liquids with mineral-oil-based additives

CONSTRUCTION

Overview	Components	Materials
	1 Lid	Brass
	2 Housing	Brass
	Not depicted components:	
	Float	High-grade, heat-resistant synthetic material
	Seals	Heat-resistant elastomer

METHOD OF OPERATION

Inside the automatic air vent there is a floater which operates a lever according to the water level. When there is no water in the housing, then the floater opens the valve. Air can therefore be vented from the heating system during filling. When the heating system has been filled, the inflowing water closes the valve and the vent is shut-off. Water usually contains oxygen which bubbles off during operation of the system and collects at the highest point. The automatic air vent must therefore be fitted at the air collection position (highest point on a boiler or pipework circuit).

TRANSPORTATION AND STORAGE

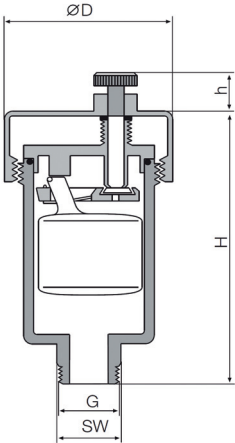
Keep parts in their original packaging and unpack them shortly before use.

The following parameters apply during transportation and storage:

Parameter	Value
Environment:	clean, dry and dust free
Min. ambient temperature:	5 °C
Max. ambient temperature:	90 °C
Min. ambient relative humidity:	25 % *
Max. ambient relative humidity:	85 % *

*non condensing

DIMENSIONS

Overview


Parameter	Values		
Connection size:	G	3/8"	1/2"
Dimensions:	H	64	64
	h	12	12
	D	47	47
	SW	22	22
Weight:	kg	0.18	0.19

Note: All dimensions in mm unless stated otherwise.

ORDERING INFORMATION

The following tables contain all the information you need to make an order of an item of your choice. When ordering, please always state the type, the ordering or the part number.


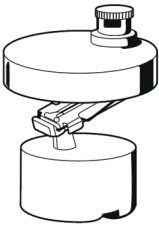
Options

The valve is available in the following sizes: G^{1/2}", G^{3/8}"

- standard
- not available

		E121-3/8A	E121-1/2A
Connection sizes:	G ^{3/8} " (12 pieces)	•	–
	G ^{1/2} " (12 pieces)	–	•

Accessories

	Description	Dimension	Part No.	
	Z121 Shut-off valve Packing unit 12 pcs.			
			3/8"	Z121-3/8A
			1/2"	Z121-1/2A
	X121 Air vent cap with float Packing unit 54 pcs, threaded connection 44x19, min. installation depth for float = 46mm			
				X121-AA



Manufactured for
and on behalf of
Pittway Sàrl, Z.A., La Pièce 4,
1180 Rolle, Switzerland

For more information
homecomfort.resideo.com/europe

Ademco 1 GmbH, Hardhofweg 40,
74821 MOSBACH, GERMANY

Phone: +49 6261 810
Fax: +49 6261 81309