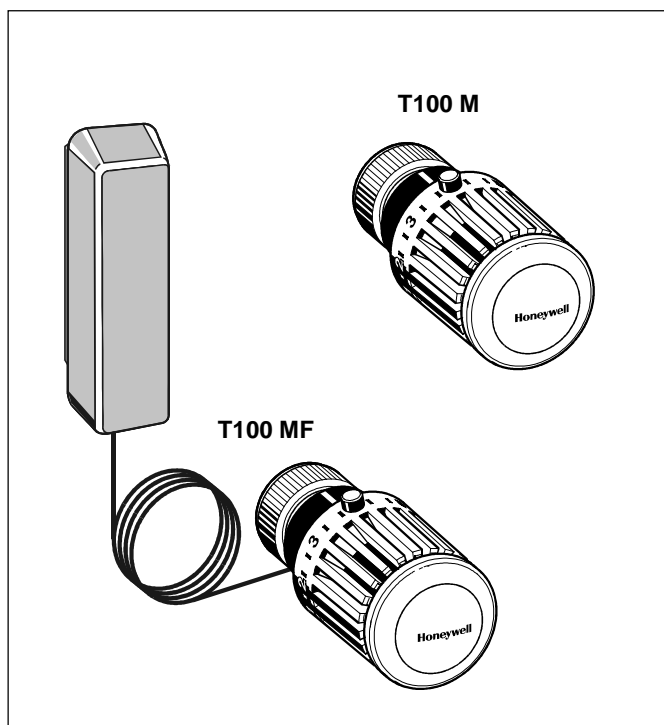


T100 M / T100 MF RADIATOR THERMOSTATS WITH RED ECONOMY BUTTON

PRODUCT DATA



Design

The radiator thermostats are made up of:

- Handwheel with lid, socket and red economy button
- T100 M with internal liquid- or wax-filled sensor with support cage
- T100 MF with external liquid-filled sensor, capillary tube and housing
- Spindle assembly
- Connection nut

Materials

- Handwheel and lid made of plastic, white to RAL 9010
- Economy button made of red plastic
- Socket made of grey plastic
- Support cage and spindle assembly made of plastic
- Connection nut made of nickel-plated brass

Application

Radiator thermostats are installed onto thermostatic valve bodies (TRV bodies). Together with a TRV body, for example the V100 M, they control the room temperature by regulating the flow of hot water into the heat exchanger. The temperature of different rooms is controlled individually and energy is saved.

The combination of radiator thermostat and TRV body is called 'Thermostatic Radiator Valve' or 'TRV'.

TRVs are installed in water-based heating systems at the supply or, less commonly at the return connection of radiators or other heat exchangers. With specially designed (normally closed) valves, radiator thermostats are sometimes also used in water-based cooling systems to control individual heat exchangers.

T100 M and T100 MF thermostats conform to the European Standard EN215. T100 M and MF type radiator thermostats are suitable for all Honeywell TRV bodies and radiator inserts as well as other TRV bodies and radiator inserts with M30 x 1.5 connection and 11,5 mm closing dimension.

Features

- Tested to the EN215 Part 1 European standard
- T100 M available with liquid- or wax-filled sensing element
- Modern, ergonomical design with red economy button for optimal setting
- Over temperature protection
- Patent-No. DE-PS 2 737 083

Specifications

Thermostat connection	M30 x 1.5
Setpoint range	<ul style="list-style-type: none"> • ❄ - 1...6 • 0 - ❄ - 1...6
Temperature range	<ul style="list-style-type: none"> • without zero-position: 7...27°C (45...81°F) • with zero-position: 1...27°C (34...81°F)
Closing dimensions	11,5 mm

NOTE: Zero-position ('0') is also thermostatically controlled – when temperature falls TRV opens

Function

Thermostatic radiator valves enable individual control of room temperatures and thus save energy.

The radiator thermostat controls the TRV body. Air from the room passing over the sensor of the radiator thermostat causes the sensor to expand when the temperature rises.

The sensor acts onto the valve spindle and this causes the TRV body to close. When the temperature falls the sensor contracts and the spring-loaded valve spindle is opened. The TRV opens in proportion to the temperature of the sensor. Only the amount of water required to maintain the room temperature set on the radiator thermostat can flow into the radiator.

Dimensions

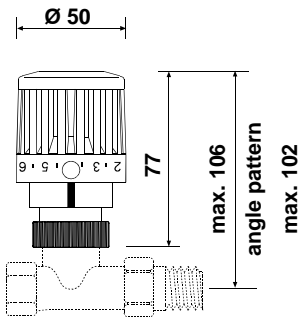


Fig. 1. Dimensions T100 M

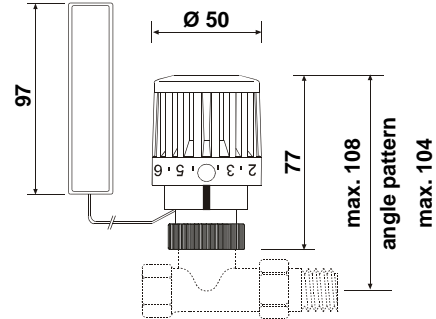


Fig. 2. Dimensions T100 MF

Options

- T100 M-... with internal wax-filled sensing element
- T100 M-...F with internal liquid-filled sensing element
- T100 MF-... with remote liquid-filled sensing element

EN215 Information

Table 1. Comparison of T100 M/T100 MF specs and EN215 requirements

	T100M-...	T100M-...F	T100MF-...	EN215 requirements
Min. setpoint temperature	7°C (45°F)	7°C (45°F)	7°C (45°F)	5...12°C (41...54°F)
Max. setpoint temperature	27°C (81°F)	27°C (81°F)	27°C (81°F)	≤ 32°C (90°F)
Hysteresis	0,6K	≤ 0,2K	0,2K	≤ 1,0K
Influence of differential pressure	0,5K	≤ 0,3K	0,3K	≤ 1,0K
Influence of heating medium	0,5K	≤ 0,86K	0,5K	≤ 1,5K
Response time	20 min	25 min	20 min	≤ 40 min

Ordering information

Type/Version	Temperature °C (°F)								OS-No.
	closed	7 (45)	8 (46)	12 (54)	16 (61)	20 (68)	24 (75)	27 (81)	
T100 M-...	☼	1	2	3	●	5	6	T100 M-264	
	0	☼	1	2	3	●	5	6	T100 M-364
T100 M-...F	☼	1	2	3	●	5	6	T100 M-264F	
	0	☼	1	2	3	●	5	6	T100 M-364F
T100 MF-...	0	☼	1	2	3	●	5	6	T100 MF-3642

Accessories



ZS 100 Range stops (pack of 10)

For range limiting of T100 M and T100 MF thermostats

Honeywell

Home and Building Control

Honeywell AG
Zu den Ruhrwiesen 3
D-59755 Arnsberg-Neheim

Phone: (49) 2932 9880
Fax: (49) 2932 988239
mng@honeywell.com

<http://europe.hbc.honeywell.com>