



V2496

Verafix-VKE

H-Block for compact radiators

APPLICATION

The Verafix-VKE is an lockshield valve for compact radiators with connection centres of 50 mm. It is used on two-pipe systems with radiators which have integral valves to regulate and shut-off individual radiators.

Verafix-VKE is suitable for hot water heating systems.

Verafix-VKE with 1/2" internal threads are suitable for radiators which include the following makes:

Bemm	Finimètal	Northor	Superia
Concept	Ferrolì	Purmo	Thor
Dia-Norm	Henrad	Radson	VEHA
Dia-therm	Korado	Schäfer	Vogel & Noot
Dura	Manaut	Stelrad	

Verafix-VKE with 3/4" external threads are suitable for radiators which include the following makes:

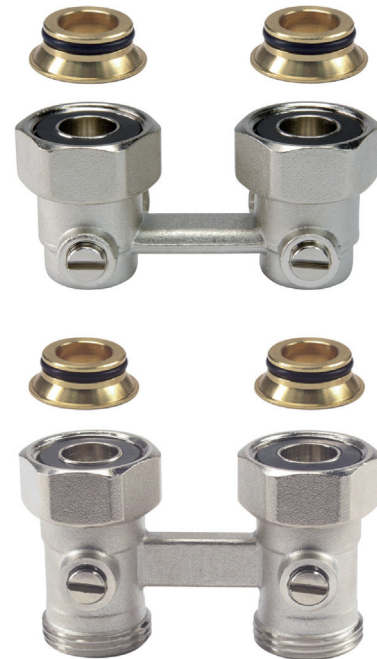
Baufa	Buderus	Kermi	Ribe
Brötje	De Longhi	Reusch	RIOPanel
Brugman			

FEATURES

- Optional flow direction. Performance values apply for both directions of flow
- Robust brass housing
- Connection on pipework side 3/4" external thread for copper, soft steel, plastic and composite pipes
- Connectors on radiator side 1/2" internal or 3/4" external thread

SPECIFICATIONS

Medium:	Water
pH-value:	8 - 9.5
Max. operating temperature:	120 °C (248 °F)
Max. operating pressure:	10.0 bar (145 psi)
k _{vs} (C _{Vs})-value:	
Straight	3.5
Angle	1.8



DESIGN

The Verafix-VKE consists of:

- Straight valve body for floor connection or angle valve body for wall connection
- Ball valve insert
- Radiator connection nuts
- Universal externally threaded connections (Eurotaper connections) suitable for copper, precision steel tube, plastics and composite tube (see accessories for external thread fittings)

MATERIALS

- Hot-forged brass body
- Brass nickel ball valve insert
- EPDM O-ring sealings
- Brass union connections
- Brass radiator connection nuts
- Seat sealings PTFE
- EPDM seals

FUNCTION

The supply and return of the radiator can be shut-off by turning the ball valve inserts of the Verafix-VKE to the horizontal position with a screwdriver. The valves are supplied set fully open.

DIMENSIONS

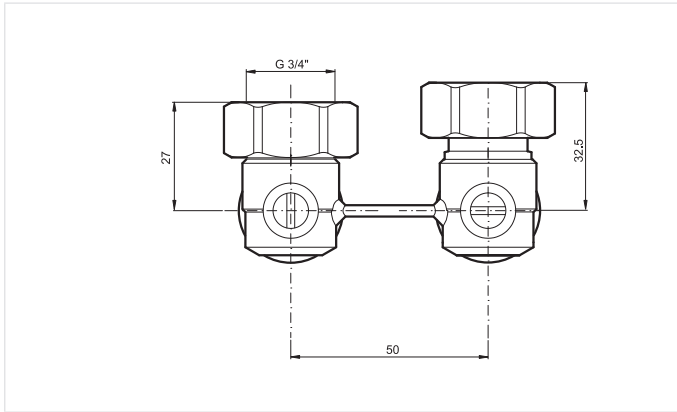


Fig. 1. Dimensions Verafix-VKE angle with flat seal and cone

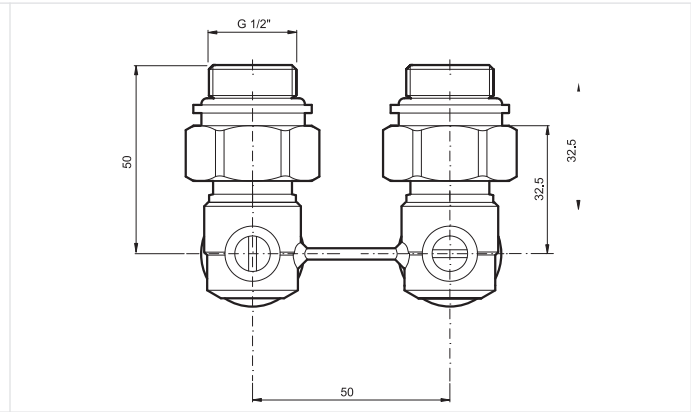


Fig. 2. Dimensions Verafix-VKE angle with flat seal and double nipple

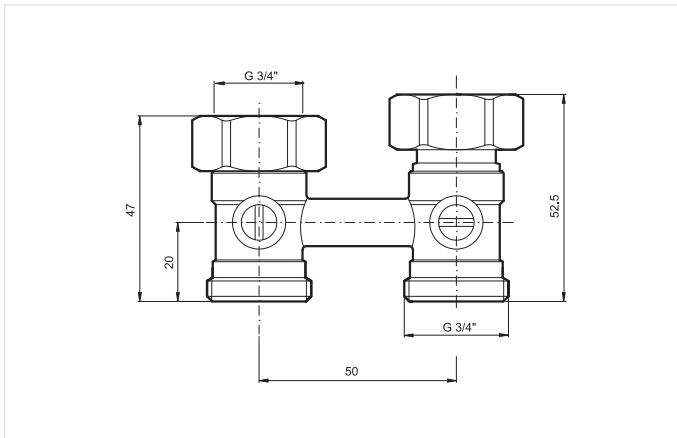


Fig. 3. Dimensions Verafix-VKE straight with flat seal and cone

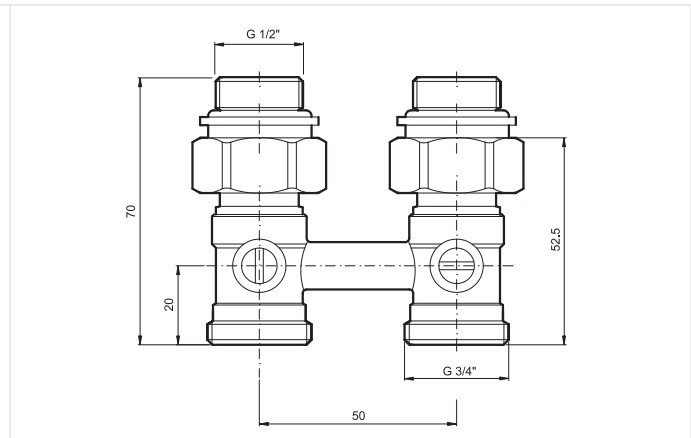


Fig. 4. Dimensions Verafix-VKE straight with flat seal and double nipple


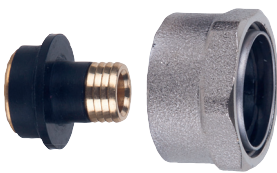

Note: All dimensions in mm unless stated otherwise.

ORDERING INFORMATION

Tab. 1 Dimensions and OS-Nos (OS=Ordering System)

Type	Pipe connection	Radiator connection	DN	$k_{vs}(C_{vs})$ -value	OS-No.
Angle (wall connection) flat seal and cone	3/4" external	3/4" external	15	1.8	V2496EX020A
Angle (wall connection) flat seal and double nipple	3/4" external	1/2" external	15	1.8	V2496EY015A
Straight (floor connection) flat seal and cone	3/4" external	3/4" external	15	3.5	V2496DX020
Straight (floor connection) flat seal and double nipple	3/4" external	1/2" external	15	3.5	V2496DY015

ACCESSORIES

	Description	Dimension	Part No.
	FEG3/4CS Compression fitting for COPPER and STEEL pipe. Consisting of one-piece (preassembled) nut. Soft sealing connection. For valves with external thread G ³ / ₄ ". Note: Reinforcing insert for copper or soft steel pipe with 1.0 mm wall thickness not required. Max. operating temperature 90°C, max. operating pressure 10 bar.		
	G ³ / ₄ ", 1 pcs.	10 mm	FEG3/4CS10
	G ³ / ₄ ", 1 pcs.	12 mm	FEG3/4CS12
	G ³ / ₄ ", 1 pcs.	14 mm	FEG3/4CS14
	G ³ / ₄ ", 10 pcs.	14 mm	FEG3/4CS14-10
	G ³ / ₄ ", 1 pcs.	15 mm	FEG3/4CS15
	G ³ / ₄ ", 10 pcs.	15 mm	FEG3/4CS15-10
	G ³ / ₄ ", 1 pcs.	16 mm	FEG3/4CS16
	G ³ / ₄ ", 1 pcs.	18 mm	FEG3/4CS18
	FEG3/4P Compression fitting for PEX pipe. Consisting of one-piece (preassembled) nut and reinforcing insert. Soft sealing connection. For valves with external thread G ³ / ₄ ". Note: Max. operating temperature 90°C, max. operating pressure 10 bar.		
	G ³ / ₄ ", 1 pcs.	12 x 1.1 mm	FEG3/4P12X1.1
	G ³ / ₄ ", 1 pcs.	16 x 1.5 mm	FEG3/4P16X1.5
	FEG3/4PM Compression fitting for PEX and MULTILAYER pipe. Consisting of one-piece nut with preassembled antitorsion elastic compression ring and one-piece reinforcing insert. For valves with external thread G ³ / ₄ ". Note: Max. operating temperature 90°C, max. operating pressure 10 bar.		
	G ³ / ₄ ", 1 pcs.	14 x 2 mm	FEG3/4PM14X2
	G ³ / ₄ ", 1 pcs.	16 x 2 mm	FEG3/4PM16X2
	G ³ / ₄ ", 10 pcs.	16 x 2 mm	FEG3/4PM16X2-10
	G ³ / ₄ ", 1 pcs.	16 x 2.2 mm	FEG3/4PM16X2.2
	G ³ / ₄ ", 1 pcs.	17 x 2 mm	FEG3/4PM17X2
	G ³ / ₄ ", 10 pcs.	17 x 2 mm	FEG3/4PM17X2-10
	G ³ / ₄ ", 1 pcs.	18 x 2 mm	FEG3/4PM18X2
	G ³ / ₄ ", 10 pcs.	18 x 2 mm	FEG3/4PM18X2-10
G ³ / ₄ ", 1 pcs.	20 x 2 mm	FEG3/4PM20X2	
	VS3296A Double nipple (2 pcs.)		
	for all V2496		VS3296A015
	VA5096A Flat seal		
	for all V2496		VA5096A015
	VA5096B Flat seal and cone (2 pcs.)		
	for all V2496		VA5096B015

INSTALLATION EXAMPLE

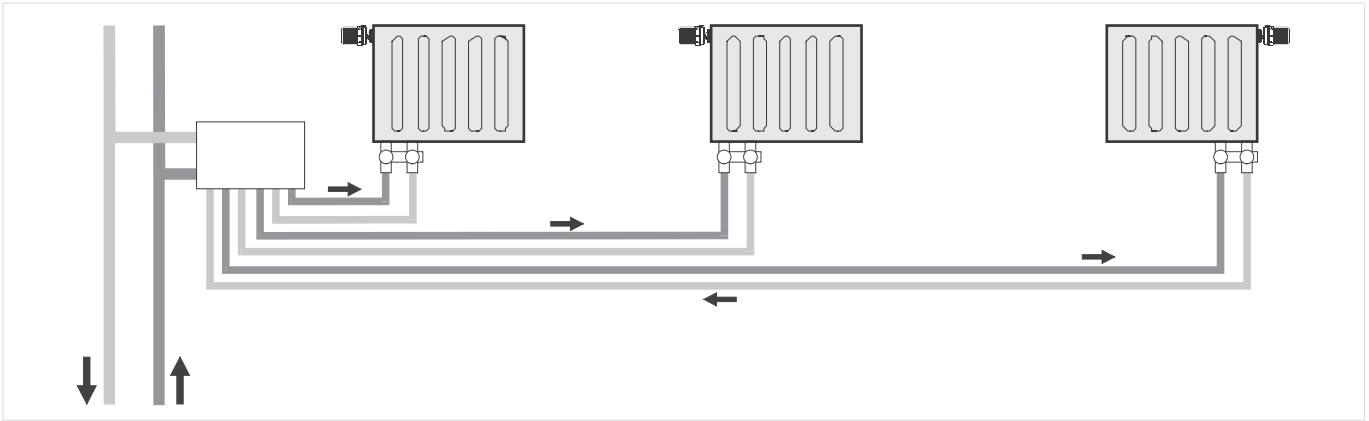
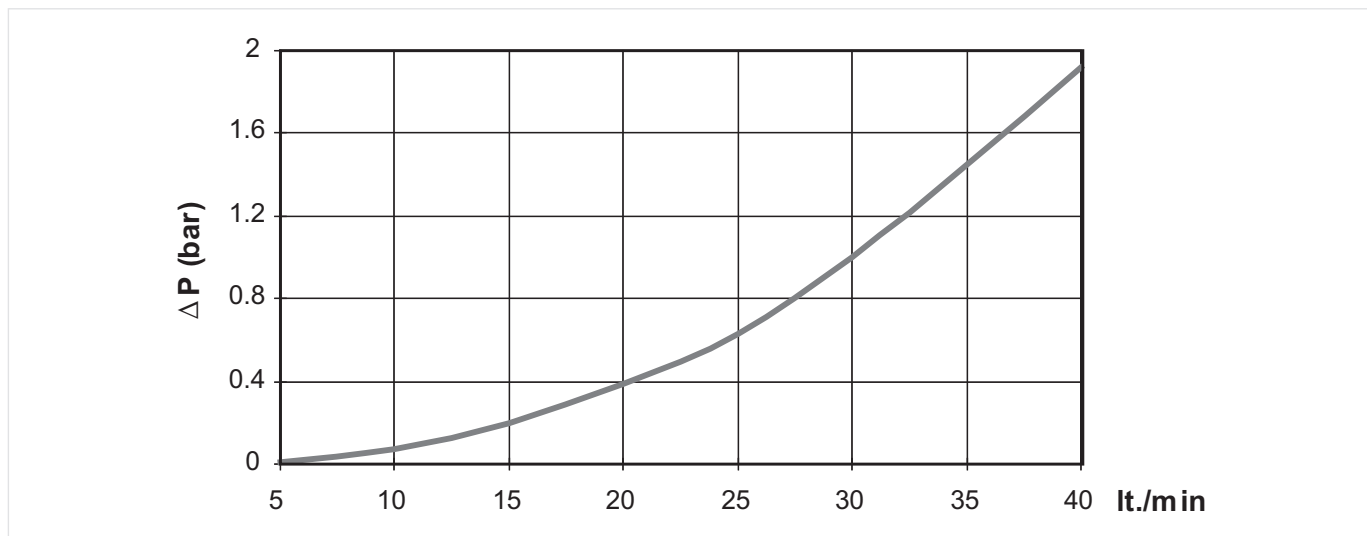


Fig. 5. Two-pipe system with distribution manifold and Verafix-VKE

PLEASE NOTE:

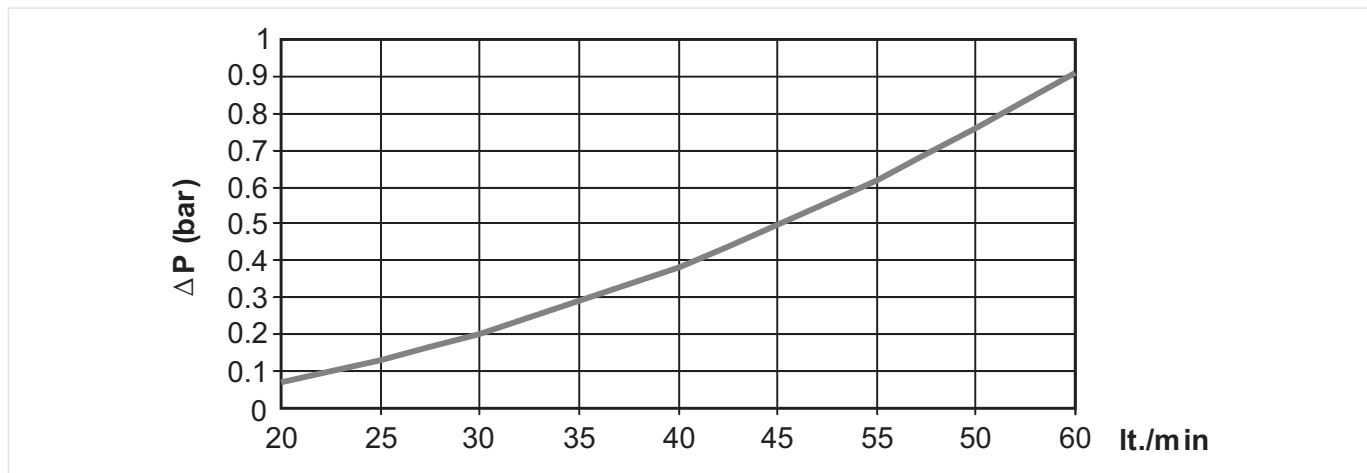
- To avoid stone deposit and corrosion the composition of the medium should conform with VDI-Guideline 2035
- Additives have to be suitable for EPDM sealings
- System has to be flushed thoroughly before initial operation with all valves fully open
- Any complaints or costs resulting from non-compliance with above rules will not be accepted by Honeywell Home
- Please contact us if you should have any special requirements or needs

FLOW DIAGRAM VKE2496E



lt./min	5	10	15	20	25	30	35	40
ΔP (bar)	0.01	0.07	0.20	0.39	0.63	1.00	1.45	1.92

FLOW DIAGRAM VKE2496D



lt./min	20	25	30	35	40	45	50	55	60
ΔP (bar)	0.07	0.13	0.20	0.29	0.38	0.50	0.62	0.76	0.91

For more information

homecomfort.resideo.com/europe



Ademco 1 GmbH
 Hardhofweg 40
 74821 MOSBACH
 GERMANY
 Phone: +49 6261 810
 Fax: +49 6261 81309

Manufactured for and on behalf of the
 Pittway Sàrl, La Pièce 4, 1180 Rolle, Switzerland
 by its Authorised Representative Ademco 1 GmbH
 EN0H-2208GE25 R0520

Subject to change

© 2020 Pittway Sàrl. All rights reserved.

This document contains proprietary information of
 Pittway Sàrl and its affiliated companies and is
 protected by copyright and other international laws.
 Reproduction or improper use without specific
 written authorisation of Pittway Sàrl is strictly
 forbidden. The Honeywell Home trademark is used
 under license from Honeywell International Inc.

