

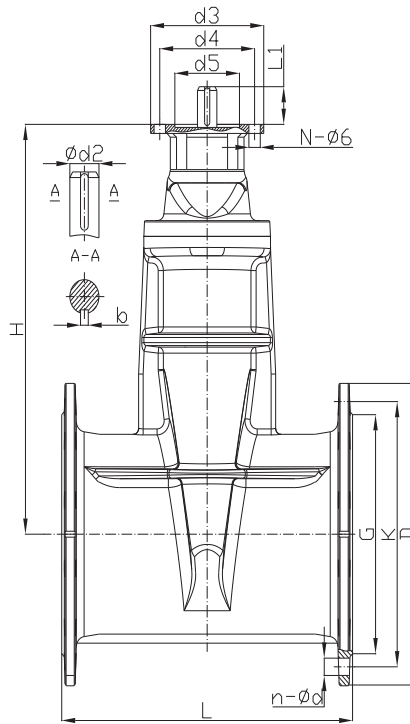
RESILIENT SEATED GATE VALVE PREPARED FOR ACTUATOR • PN10 - PN16

DESIGN FEATURES

- According to EN 1171, EN 1074-1 and EN 1074-2;
- Face to face dimension according to EN 558 series 14 and series 15;
- Body, bonnet and wedge made of ductile iron EN GJS 400-15 according to EN 1563;
- Wedge coating made of vulcanized EPDM rubber according to EN 681-1 WA;
- Gasket and o-rings made of EPDM rubber according to EN 681-1 WA;
- Flange dimensions according to EN 1092-2;
- Body and bonnet connection made of 8.8 grade galvanized steel screws fully protected against corrosion;
- Shaft made of stainless steel EN 1.4021 (AISI 420);
- All materials, including lubricants, in contact with water approved for human consumption according to EN 1074-1 and EN 1047-2;
- Internal and external surface protection made of epoxy resin powder (FBE), blue colour RAL 5005 and minimum thickness of 250µm;
- Hydraulic test according to EN 12266-1;
- Working temperature Min. -10°C (excluded frost) Max. + 70°C;
- Top flange suitable for coupling with actuator according to ISO 5210.



DIMENSIONS AND WEIGHTS



BARESHAFT TORQUE									
DN	PN10 (Nm)		PN16 (Nm)		DN	PN10 (Nm)		PN16 (Nm)	
50	30		30		250	130		140	
65	30		30		300	200		220	
80	35		35		350	250		280	
100	40		40		400	250		280	
125	60		65		500	310		320	
150	65		70		600	400		430	
200	110		120						

DN	G		K		D		L		H	n-ød		d2	d3	d4	d5	N-ØD6	L1	B	NR. OF TURNS	APPROX. WEIGHT (kg)	
	PN10	PN16	PN10	PN16	PN10	PN16	S14	S15		PN10	PN16									S14	S15
50	99	99	125	125	165	165	150	250	175	4-19	4-19	20	125	102	72	4-12	32	6	10	30.5	31.0
65	118	118	145	145	185	185	170	270	196	4-19	4-19	20	125	102	72	4-12	32	6	13	33.0	34.0
80	132	132	160	160	200	200	180	280	226	8-19	8-19	20	125	102	72	4-12	32	6	16	35.5	36.5
100	156	156	180	180	220	220	190	300	254	8-19	8-19	20	125	102	72	4-12	32	6	20	38.5	40.5
125	184	184	210	210	250	250	200	325	304	8-19	8-19	20	125	102	72	4-12	32	6	25	50.0	53.0
150	211	211	240	240	285	285	210	350	341	8-23	8-23	20	125	102	72	4-12	32	6	30	56.5	60.5
200	266	266	295	295	340	340	230	400	418	8-23	12-23	20	125	102	72	4-12	32	6	40	84.5	91.5
250	319	319	350	355	395	405	250	450	545	12-23	12-28	30	175	140	101	4-18	50	8	42	145	157
300	370	370	400	410	445	460	270	500	645	12-23	12-28	30	175	140	101	4-18	50	8	50	185	198
350	429	429	460	470	505	520	290	550	775	16-23	16-28	30	175	140	101	4-18	50	8	37	268	284
400	480	489	515	525	565	580	310	600	775	16-28	16-31	30	175	140	101	4-18	50	8	37	282	300
500	582	609	620	650	670	715	350	700	995	20-28	20-34	40	210	165	101	4-22	50	12	48	494	565
600	682	720	725	770	780	840	390	N.A.	1185	20-31	20-37	40	210	165	101	4-22	50	12	60	693	-