



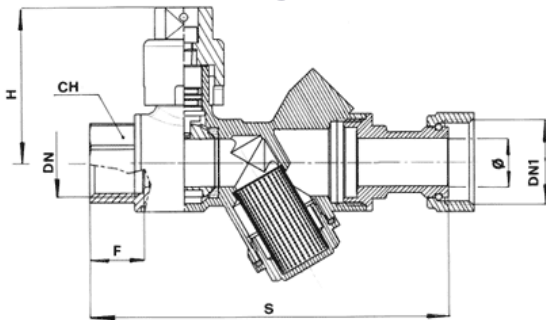
Water meter inlet ball valve F/F

with fitting for meter and sealing filter

full bore PN 40

brass sealing cap

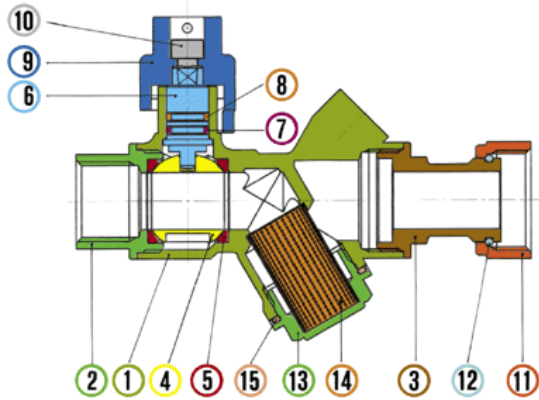
Tech drawings and tables



DN	Code	Ø	F	H	S	CH	PN	P/box
1/2" x 3/4"	025114000187	15	17	48,5	111,5	25	40	5

Technical data

Art. 5114

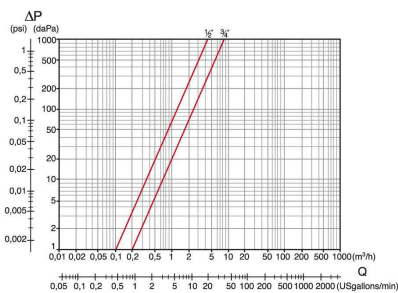


Materials

1	Body	Brass	CuZn40Pb2	UNI EN 12165
2	Body end	Brass	CuZn40Pb2	UNI EN 12165
3	Joint	Brass	CuZn40Pb2	UNI EN 12165
4	Ball	Brass	Chrome-plated	CuZn40Pb2 UNI EN 12165
5	Seats	PTFE		ASTM D1457
6	Stem	Brass	CuZn39Pb3	UNI EN 12164
7	O-Ring	FKM		ASTM D2000
8	O-Ring	NBR		ASTM D2000
9	Sealing cap	Brass	CuZn40Pb2	UNI EN 12165
10	Screw	Steel	Zinc-plated	UNI EN 20898-1
11	Swivel nut	Brass	CuZn40Pb2	UNI EN 12165
12	Seeger	Stainless Steel	AISI 302	
13	Plug	Brass	CuZn40Pb2	UNI EN 12165
14	Filter	Stainless Steel	AISI 304	
15	O-Ring	NBR		ASTM D2000

Info_usage	General civil and industrial plant: water, heating and sanitary plants, waterworks, etc.
Info_usage	
Info_junction	
Info_junction	Female ISO 7/1Rp (parallel), screwed ring ISO 228/1
Info_limits	
Info_limits	-20°+110° (without liquid)
Info_notes	The max.working pressure (PN) means at a room temperature of about 23°C.
Info_notes	

LoadLossChart



TemperaturePression

