



Rubinerie Italiane Velatta SpA
— since 1950 —

>> YOU need the BEST

Derby

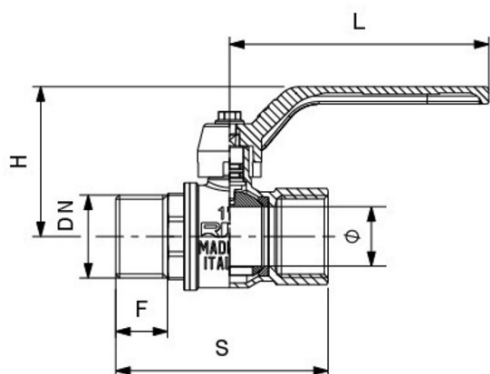
Series



RIV 4110

Ball valve M/F
 full bore
 aluminium lever handle

» Чертежи и таблицы



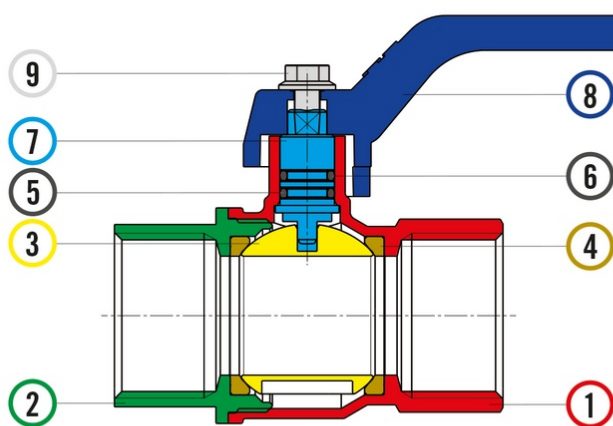
DN	Код	Ø	F	H	L	S	PN	KG	P/box
1/2"	024110000004	14,5	16	50	80	62	40	0,166	30
3/4"	024110000005	19	17,5	57	90	72	40	0,278	10
1"	024110000007	24	21	60	90	86	40	0,419	10
1"1/4	024110000008	30,5	22,5	73	120	98	25	0,637	8
1"1/2	024110000009	37	22,5	86	135	109	25	0,894	6
2"	024110000011	47	26,5	98	160	129	25	1,521	4

»» Сертификаты



» Технические данные

RIV 4100



Материалы				
1	Body	Brass	CW617N	Nickel-plated
2	Body end	Brass	CW617N	Nickel-plated
3	Ball	Brass	CW617N	Chrome-plated
4	Seats	P.T.F.E.		
5	O-Ring	FKM		
6	O-Ring	NBR		
7	Stem	Brass	CW614N	
8	Lever	Aluminium		
9	Screw	Steel		Zinc-plated

Соединения

F: EN 10226 Rp (parallel)
 M: EN 10226 R (taper)

Предел

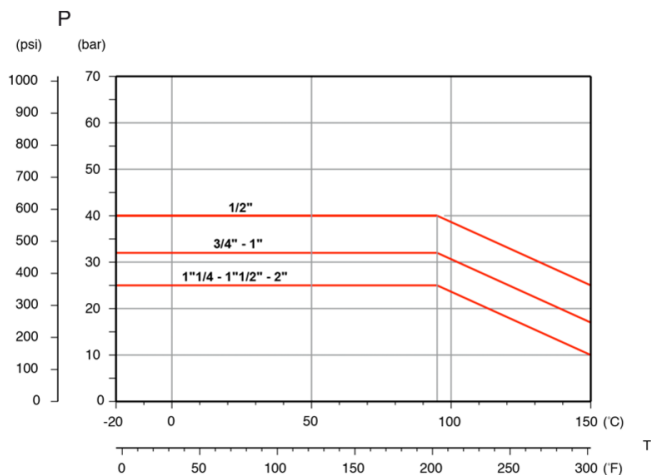
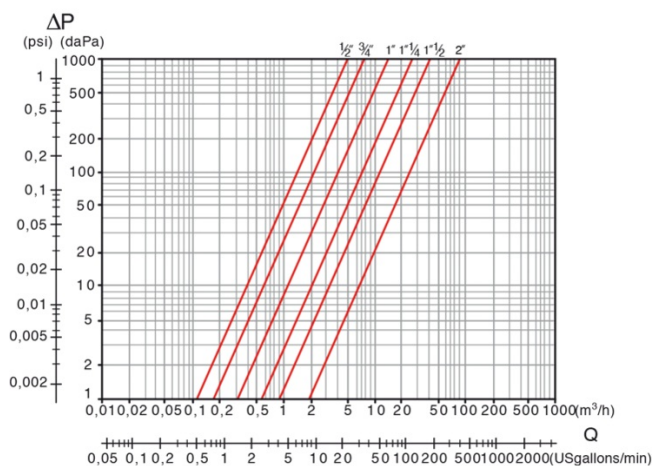
-20°C (without liquid) +150°C

Примечания

The max.working pressure (PN) means at a room temperature of about 23°C.

» График нагрузки-потери

» Давление - температура



» Коэффициенты Kv и Cv

Размер	Kv	Cv
1/2"	16,5	19,1
3/4"	25,0	29,0
1"	46,0	53,0
1"1/4	87,0	101,0
1"1/2	140,0	162,0
2"	275,0	318,0



» More Products



RIV 4100

Ball valve F/F
full bore
aluminium lever handle



RIV 4101

Ball valve F/F
full bore
steel lever handle



RIV 4104

Ball valve F/F
full bore
aluminium sealing butterfly handle



RIV 4107

Ball valve F/F
full bore
brass sealing cap



RIV 4111

Шаровый кран резьба/муфта
полнопроходной
стальная рукоятка



RIV 4114

Ball valve M/F
full bore
aluminium sealing butterfly handle