

Datasheet

# H-piece valves, type RLV-KB, for valve radiators in two-pipe systems.

Application



By means of the H-piece valve type RLV-KB, every valve radiator with a centre distance between the connections of 50 mm can be blocked individually, e.g. in order to carry out trouble-free maintenance without affecting other parts of the system.

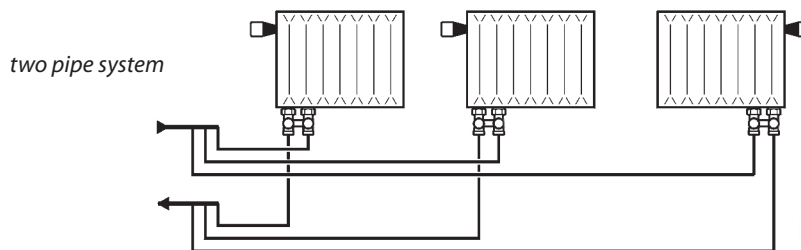
RLV-KB is factory set fully open.

Connection to copper, soft steel, PEX and Alupex pipes is made with Danfoss compression fittings. See separate data sheet.

H-piece valve type RLV-KB is nickel plated and is available in straight and angle versions. Special adapters ensure that the H-piece valve can be used both for radiators with an internal thread of G 1/2 and with an external thread of G 3/4. All adapters are self-sealing.

In order to avoid deposition and corrosion, the composition of the hot water should be in accordance with the VDI 2035 guideline (Verein Deutscher Ingenieure).

System



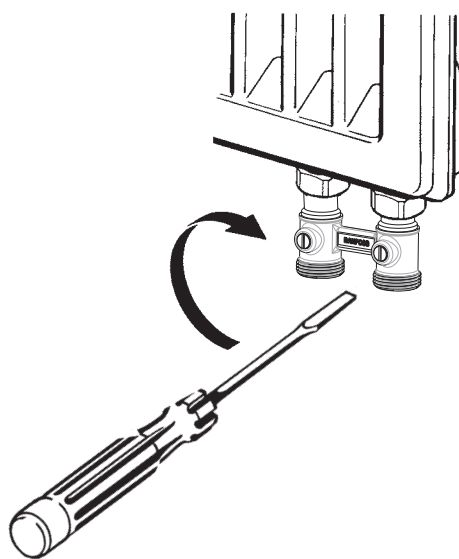
Ordering and Data

Type	Version	Connection		Kvs m3/h	Max. operation pressure	Test pressure	Max. water temperature	Code no.
		Radiator	System					
RLV-KB	Angle	G 1/2	G 3/4	1.4	10 bar	16 bar	120 °C	003L0394
	Straight							003L0392
	Angle	G 3/4	G 3/4					003L0393
	Straight							003L0391

Accessories

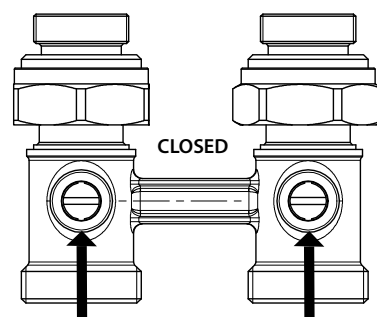
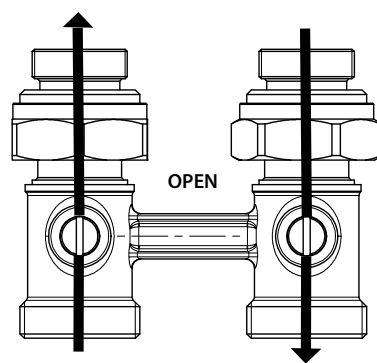
Product	Code no.
<p>Adapter (Self-sealing connection nipple for valve radiator with G 1/2 internal thread) Packing size = 20 pcs.</p>	003L0399

Adjustment

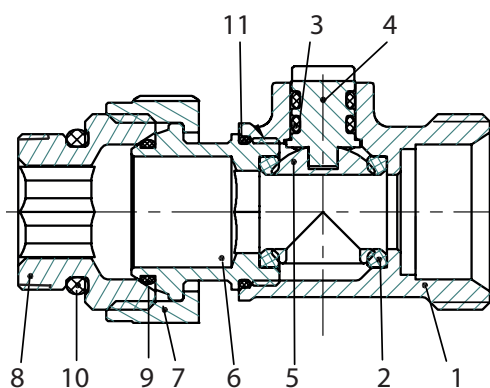


Use a flat headed screwdriver to adjust the valve to fully open or closed.

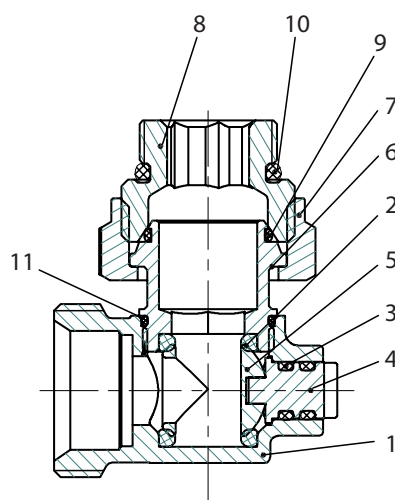
**NB:** Please pay attention to the sealing surface on the radiator, it must be suitable for O-Ring sealing.



Design



Straight



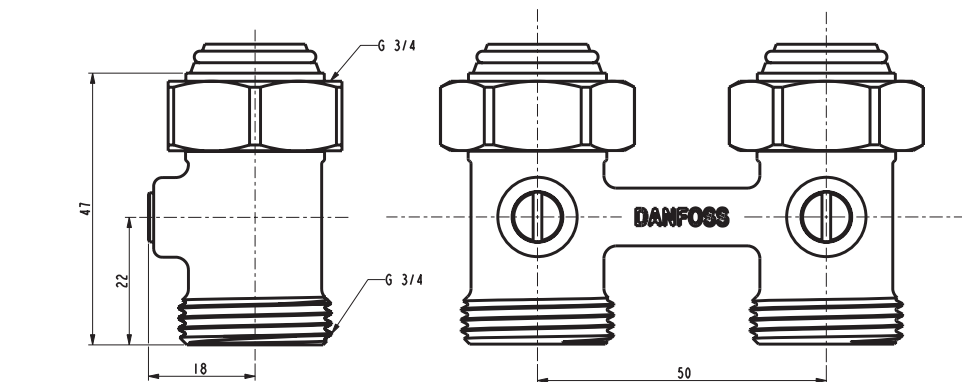
Angle

- 1. Valve body
- 2. Ball valve sealing
- 3. O-Ring
- 4. Stem
- 5. Ball
- 6. Tail piece
- 7. Union nut
- 8. Adapter
- 9. Tail piece O-Ring
- 10. Adapter O-Ring
- 11. Body O-Ring

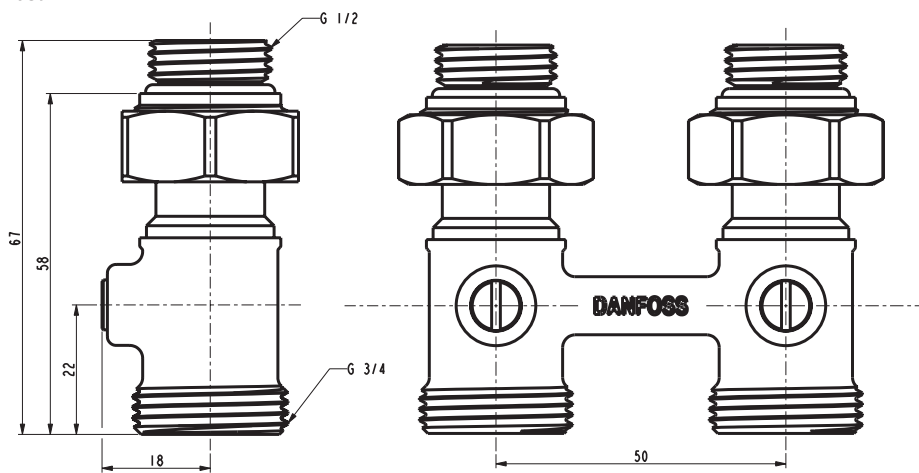
Materials in contact with water

Valve body and other metal parts	CW617N
O-rings	EPDM
Ball Seal	PTFE

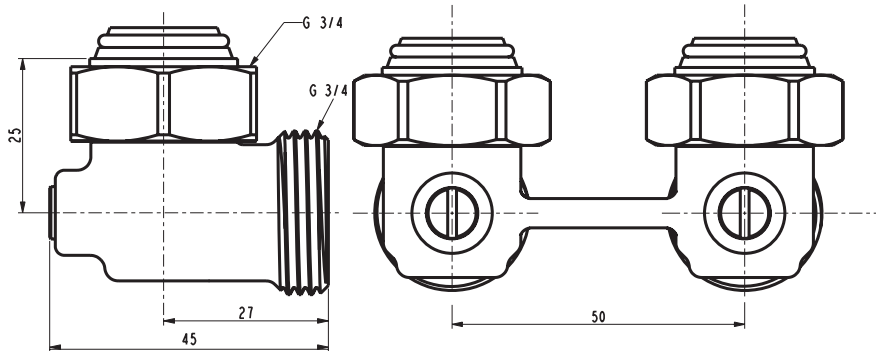
Dimensions



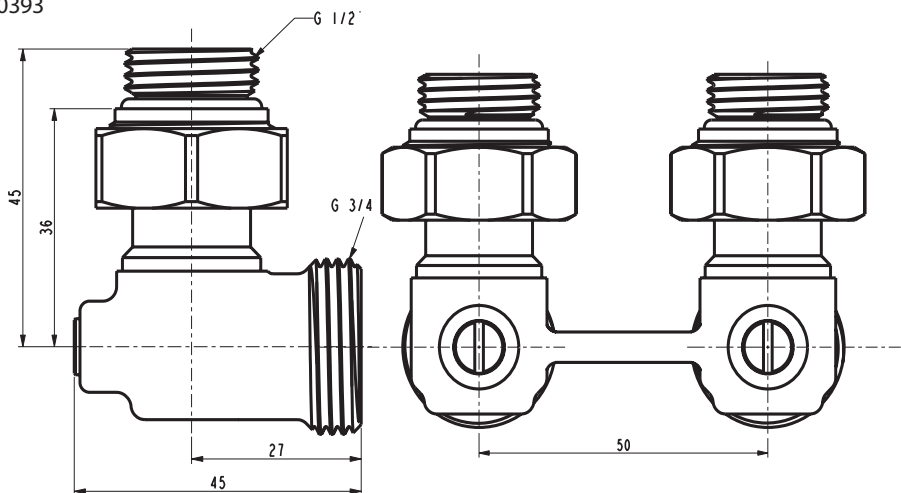
003L0391



003L0392



003L0393



003L0394

**Danfoss A/S**

Heating Segment • [heating.danfoss.com](http://heating.danfoss.com) • +45 7488 2222 • E-Mail: [heating@danfoss.com](mailto:heating@danfoss.com)

---

Danfoss can accept no responsibility for possible errors in catalogues, brochures and other printed material. Danfoss reserves the right to alter its products without notice. This also applies to products already on order provided that such alterations can be made without subsequential changes being necessary in specifications already agreed. All trademarks in this material are property of the respective companies. Danfoss and all Danfoss logotypes are trademarks of Danfoss A/S. All rights reserved.

---