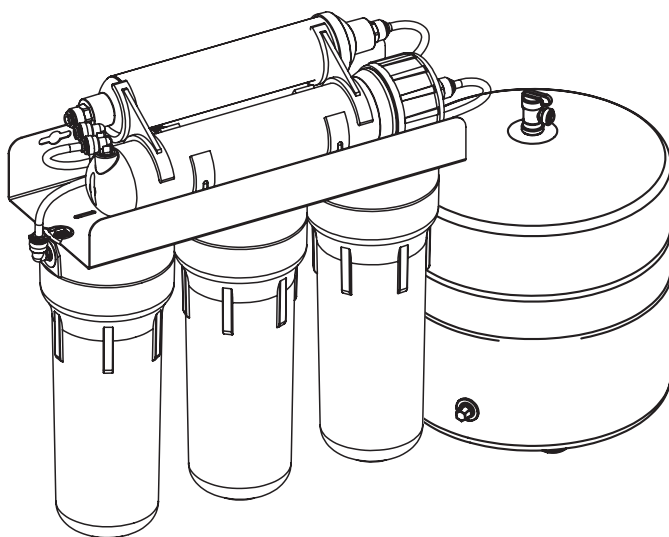


ecosoft

INSTALLER AND USER GUIDE FOR DOMESTIC REVERSE OSMOSIS SYSTEM



EN

UA

PL

FR

DE

CERTIFICATES OF ECOSOFT



PRODUKT Z ATESTEM

Number
B.BK.60110.0920.2024
valid up to: 12 08 2027

CONTENTS

1. Purpose of the product	4
2. Specifications and components	6
2.1 Model designations	6
2.2 Specifications and requirements	7
2.2.1 Mini pressure reducer	7
2.2.2 Leak sensor	8
2.3 Water quality	9
2.3.1 Supply water quality requirements	9
2.3.2 Water quality after reverse osmosis membrane	9
2.3.3 Quality of mineralized water	10
2.4 Reverse osmosis system components	11
3. Connection Diagrams	14
3.1 Connection diagram for base model	14
3.2. Connection diagram for the system with a remineralizer and double faucet	15
3.3. Connection diagram for the system with a remineralizer and single faucet	16
3.4. Connection diagram for the system with a pump (5-stage filtration)	17
3.4.1 Connection diagram for the system with a pump (6-stage filtration)	18
3.5. Connection diagram for the PURE Balance system	19
3.5.1 Connection diagram for the PURE Balance system with a pump	20
3.6. Connection diagram for the PURE AquaCalcium system	21
3.6.1 Connection diagram for the PURE AquaCalcium system with pump	22
3.7. Connection diagram for the PURE Alkafuse system	23
3.7.1 connection diagram for the PURE Alkafuse system with pump	24
4. Steps for installing reverse osmosis system	25
4.1 Verify your setup	25
4.2 Installation procedure	26
4.2.1 Recommended tools for installation	26
4.2.2 Procedure for installation	26
5. Steps after installation	30
6. Usage	31
6.1 Parts of the filter and their recommended change out rates	34
6.2 The procedure for replacing pre-filter cartridges	36
6.3 The procedure for replacing membrane	37
6.4 The procedure for replacing carbon postfilter and/or mineralizing postfilter	30
7. Sanitization of reverse osmosis filter	40
7.1 Sanitization of pressure tank	42
8. Troubleshooting	44
9. Service record	47
9.1 Commissioning	47
9.2 Maintenance log	48
10. Performance data	49
10.1 Arsenic facts	49
11. Environmental and health safety	50
12. Purchasing	50
13. Transportation and storage	50
14. Warning	51
15. Warranty	53
16. Certificates	55

1. PURPOSE OF THE PRODUCT

Reverse osmosis is by far the most advanced technology of water purification in use today. Special semipermeable membrane structure similar in its properties to the membrane of a living cell is capable of purifying drinking water from virtually all harmful impurities (see Figure 1). The membrane can be conceived of as having tiny pores, 200 times smaller than viruses and 4000 times smaller than bacteria. Domestic water filters with reverse osmosis membranes harness the principle of body's metabolism on a cellular level. Only molecules of certain size can penetrate cellular membrane.

Reverse osmosis system is a five-stage filtration unit functioning as follows (see section 2.4 for reference numbers). Filter rack is connected to cold water supply with feed water adapter 4 and feed valve 5. Red tube carries water from feed valve to the (rightmost) bulb filter rack. Incoming water then passes through pre-filter cartridges 9. Pre-filter cartridges are designed to remove solids (such as rust, sand, silt, etc), residual chlorine and organochlorines from water. After undergoing pre-treatment steps in the pre-filters, water enters into the fourth (and the most important) stage: reverse osmosis membrane 11 contained in a special housing. Inlet of membrane housing is connected with the third (leftmost) bulb filter rack through the feed side of auto shut-off valve (four-way valve fastened to the top of filter rack). One of the two outlets supplies purified water (permeate), and the other carries away water with rejected impurities (concentrate). The membrane purifies water at the molecular level by passing through its pores only the water molecules and the molecules of dissolved oxygen.

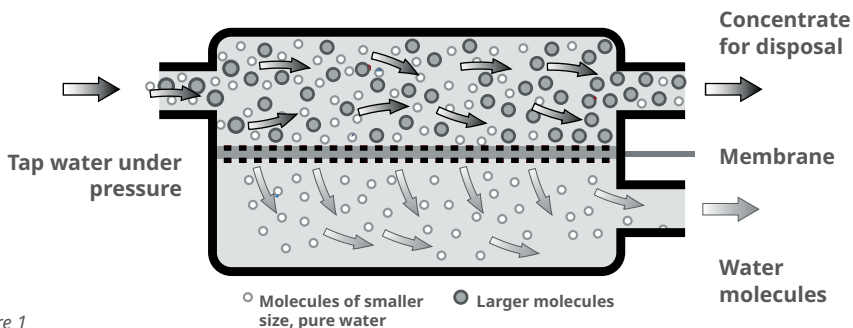


Figure 1

1. PURPOSE OF THE PRODUCT



Before installing and using the reverse osmosis filter, carefully read this manual. Following the instructions will ensure the safe and efficient operation of the system and help prevent potential injuries or damage to equipment and property.

Inside the membrane, water is separated into two streams: concentrate, which is discharged into drain, and permeate, which enters pressure tank 2 for storage. The tank is connected to the output through the membrane auto shut-off valve and check valve built into the transition fitting that is installed in the permeate outlet of membrane housing. After the auto shut-off valve is installed the union tee, through which the tank is connected to the filter rack with the yellow tube. On the top of the tank, tank valve 6 is installed.

Pressure tank of the system accumulates purified water. Without it, reverse osmosis membrane wouldn't be able to produce sufficient flow for direct water consumption. For example, if the filter had an installed membrane with a performance of 50 GPD (7.9 L / h), it would take over 1.5 min to fill the glass of 200 ml or 2 min for the 9 oz glass. Thus, the system stores purified water in the tank and delivers it to the user as needed, and then generates a supply of water. Time required to fill empty tank can range from 1.5 to 3 hours. After the tank has been filled the auto shut-off valve shuts off the water supply from the pre-filters and the unit stops. After opening purified water faucet 3, the pressure of water in the tank lowers, and the auto shut-off valve automatically resumes the flow of water through the pre-filter cartridges to the membrane to re-fill pressure tank. Water with retained impurities (concentrate) is discharged into drain through the concentrate outlet, connected with black tube to drain saddle 8, which is installed on drain pipe. In order to create backpressure, which is required to maintain the operating pressure inside the membrane housing, flow restrictor 12 is installed in the black tube. Flow restrictor is a plastic insert with precision bore capillary. The flow restrictor is inserted inside the end of black tube that is fitted in the membrane concentrate outlet.

When drawn from the faucet, purified water runs from the pressure tank through the union tee through to the fifth stage of purification — carbon postfilter, intended for the final purification of water. It contains high quality activated carbon made from coconut shell. This filter improves and refines flavor of purified water. Carbon postfilter is connected with blue tube to the drinking water faucet 3 mounted on sink or counter.

The mineralizer contains a natural blend of minerals such as Calcite and/or Corosex, and may also include activated carbon, depending on the filter model. This component enriches water with calcium and/or magnesium, enhances its taste, and contributes to better health.

2. SPECIFICATIONS AND COMPONENTS

2.1 MODEL DESIGNATIONS

Models

MO 5 50 (75, 100)
MO 5 50 (75, 100) P
MO 6 50 (75, 100) M
MO 6 50 (75, 100) MAC
MO 6 50 (75, 100) MP

Please, find model of your filter on enclosure

MO X YYY ZZZZ AAA BBB

MO — The type of filter. RO stands for reverse osmosis

X — Number of stages

YYY — Capacity of reverse osmosis membrane in GPD (gallons per day)*:

50GPD	190 liters per day	7.9 liters per hour (2 gallons per hour)
75GPD	280 liters per day	11.6 liters per hour (3.1 gallons per hour)
100GPD	380 liters per day	15.8 liters per hour (4.2 gallons per hour)

* Capacity of the reverse osmosis filter is variable and depends on a number of factors. These include supply water quality, wear of pre-filter cartridges and of membrane itself, supply water pressure and temperature.

ZZZZ — Legend of additional equipment (no letters specify base model with no extra equipment):

M	The filter is equipped with mineralizing postfilter
MAC	The filter with PURE AquaCalcium water mineralization technology
MBAL	The filter with PURE Balance water mineralization technology
ALK	The filter with PURE Alkafuse water mineralization technology
P	The filter is equipped with pressure booster pump

AAA — Trademark

BBB — Language version

S — The system is fixed on a metal rack

For example: Ecosoft MO575PSECO means reverse osmosis unit with 5 stages equipped with membrane of 75 gallon per day capacity (11.6 l / h (3 gal / h)), mineralizing postfilter, and booster pump. Trademark ECOSOFT.

** Models equipped with a pressure booster pump (marked with the letter "P" in the model designation), are intended for connection to the single-phase AC power with a voltage of 230 V, 50 Hz.



The system is equipped with a power cord with a plug and should be connected in the proper type of socket with grounding complying with the local standards. Electrical safety notice: this appliance should be connected into a circuit with an RCB installed Before performing any operations system must be disconnected from the electric power source.



CAUTION!
Filter installation should be carried out by a specialist with appropriate qualifications and experience.
The product should only be used with cold water supply!

2. SPECIFICATIONS AND COMPONENTS

2.2. SPECIFICATIONS AND REQUIREMENTS

Parameter	Value
Main pressure (no booster pump), bar (psi)	3-6* (43-87)
Main pressure (booster pump installed), bar (psi)	2-4.5 (29-65)
Tank bladder pressure, bar (psi)	0.4-0.6** (5.8-8.7)
Feed water temperature, °C (°F)	+4...+30*** (39...86)
Weight of the system (base model), kg (pounds)	6 (13.2)
Ambient temperature, °C (°F)	+5...+40*** (+41...+104)
Water supply connection	3/8" or 1/2" thread
Storage Tank Capacity, L	5-6
Filter dimensions, H×W×D (basic assembly), mm (inch)	350 × 450 × 150 (13.8 × 17.7 × 5.9)
Tank dimensions, H×W×D, mm (inch)	350 × 260 × 260 (13.8 × 10.2 × 10.2)

* If supply water pressure is below required value, purchase pumped model or fit your existing filter with booster pump. If the pressure in the water system is above the limit, it is necessary to install a pressure regulator on the main pipe.

** If pressure in tank bladder is outside this range, it is necessary to pump up or release the pressure until it conforms to the requirement. Before installing the filter, it is essential to conduct an analysis of the tap water at a certified laboratory. This will help determine its quality and ensure it meets the parameters recommended for the correct operation of the system.

*** If supply water temperature is up in the range of +20...+30 °C (+68...+86 °F), rejection of impurities will be decreased and system capacity increased, bringing about an increase in TDS. Using the product with supply water temperature in excess of +30 °C (+86 °F) is not recommended.



Reverse osmosis systems must be protected from high pressure and sudden pressure surges caused by local water supply systems. A pressure regulator must be installed at the system's inlet.

The optimal operating pressure for the system is 3.5 bar (52.5 psi) — the pressure regulator is pre-set to this parameter by the manufacturer. Failure to install a pressure regulator may result in damage to pressure-sensitive components and void the warranty.

2.2.1 MINI PRESSURE REDUCER (5 bar)

For stable operation of the reverse osmosis system and protection of the membrane from excessive pressure in the water supply network, the filter is equipped with a mini pressure reducer (reverse osmosis filters are equipped with a mini pressure reducer starting from the date of manufacture 01.01.2026).

Pressure reducer specifications:

- Pressure limitation: 5 bar (≈ 72 psi)
- Flow capacity: 7.5 l/min at 100 psi
- Maximum inlet pressure: 16 bar (230 psi)
- Maximum water temperature: 40 °C
- Connection: 1/4" quick-release fittings

2. SPECIFICATIONS AND COMPONENTS

Principle of operation:

The reducer automatically reduces the inlet pressure to a safe level (approximately 4.5–5.0 bar). When the inlet pressure increases to 16 bar, the outlet pressure remains stable within the range of 4.8–5.5 bar.

Installation location:

Mounted on the system inlet hose between the water supply to the reverse osmosis filter and the leak sensor. The arrow on the body indicates the direction of water flow.

Attention!

All reverse osmosis systems listed in this manual are equipped with a mini pressure reducer starting from the date of manufacture 01.01.2026.

2.2.2 LEAK SENSOR

For additional protection against flooding, the reverse osmosis system is equipped with a mechanical leak sensor.

Reverse osmosis filters are equipped with a leak sensor starting from the date of manufacture 01.01.2026.

Technical characteristics of the leak sensor:

- Type: piston valve with absorbing element
- Working pressure: 2–4 bar
- Maximum pressure: up to 6 bar
- Connection: 1/4" quick-release fittings
- Material: food-grade plastic

Principle of operation:

The leak sensor is a piston valve that automatically shuts off the water when a leak is detected.

- Under water pressure (2–4 bar), the valve remains closed because the piston is held in place by the pressure.
- When the inlet pressure disappears, a spring opens the valve and water can flow again.
- When wet, the cotton sponge expands and mechanically blocks the water supply.

Installation location:

The sensor is installed on the filter inlet hose between the pressure reducer and the reverse osmosis filter, in a horizontal position on a flat surface under the system.

What to do if the sensor is triggered:

1. Check the source of the leak — find and eliminate the cause.
2. Release the water pressure — shut off the water supply upstream of the valve and release the pressure in the system.
3. Check the valve — if it did not open automatically, press the control rod manually to move the piston.
4. Restore the water supply — after eliminating the problem, replacing the cotton sponge, and opening the valve.

2. SPECIFICATIONS AND COMPONENTS

Attention!

All reverse osmosis systems listed in this manual are equipped with a leak sensor starting from the date of manufacture 01.01.2026.

2.3. WATER QUALITY

2.3.1. SUPPLY WATER QUALITY REQUIREMENTS*

Index	Value**
pH	6.5–8.5
TDS	<1500 ppm
Hardness	<500 ppm CaCO ₃ (<28 °dH)
Free chlorine	<0.5 ppm
Iron	<0.3 ppm
Manganese	<0.1 ppm
Chemical oxygen demand	<5 ppm O ₂
Total bacterial count (TBC)	<50 CFU/mL
E. coli titer	<3

Do not use with water that is microbiologically unsafe or of unknown quality without adequate disinfection before or after the system.

* If water supply does not meet the requirements, service life of membrane and/or pre-filter cartridges may be shortened.

** If your home is supplied with raw wellwater, perform laboratory test of your water before installing a reverse osmosis filter. If any of your water indices exceed the limit, consider using a water treatment system to correct supply water quality. Refer to water treatment specialists or companies for advice and proper equipment selection.

2.3.2. WATER QUALITY AFTER REVERSE OSMOSIS MEMBRANE*

Index	Value
pH	5.5–6.5
TDS	5–15 ppm
Calcium	<2 ppm
Magnesium	<1 ppm
Sodium + Potassium	<5 ppm

* Values are determined under the following conditions: temperature of supply water is 25 °C (77 °F), supply water quality and operation conditions correspond to manufacturer's requirements.

2. SPECIFICATIONS AND COMPONENTS

2.3.3. QUALITY OF MINERALIZED WATER*

Index	Ecosoft Mineralization filter	AquaCalcium	Pure Balance	Pure Alkafuse
pH	6.5-7.5	7-7.5	7-8.5	>8,5***
TDS, ppm	20-30**	55-65**	60-80	60-120
Calcium, ppm	<10,0	10-15	10-15	5-15
Magnesium, ppm	—	—	4-6	5-15

Please note!



Changes in the taste and odor of purified water after replacing the carbon post-filter and mineralizer are due to the maximum capacity of the filter material at the beginning of the cartridge life. During the operation of the cartridges, the mineralization and organoleptic characteristics of the water gradually decrease.

Follow the maintenance schedule for your filter to ensure consistent quality of treated water.

* Values are determined under the following conditions: temperature of supply water is 20 °C (68 °F), supply water quality and operation conditions correspond to manufacturer's requirements, water consumption as typical for a family of three. As the temperature of supply water drops in winter, the minerals content may be lower, and with increasing temperature in summer - higher.

** After standby for one hour or more the content of minerals in the first glass of purified water may be higher than the specified values, as more minerals can dissolve during this period. This is normal and does not impair the quality of the purified water.



***** Before consuming water with a pH level >8.5 consult a doctor.**

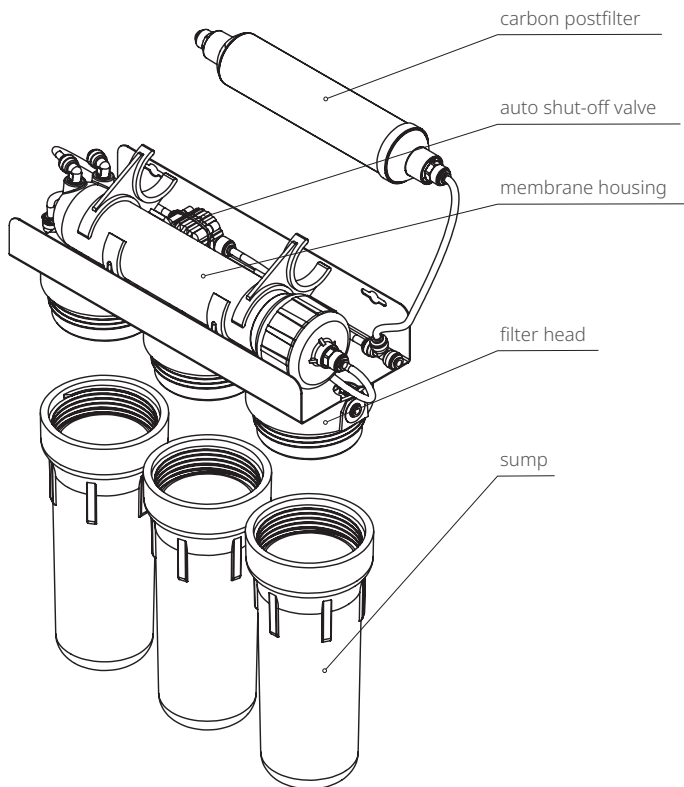
2. SPECIFICATIONS AND COMPONENTS

2.4. REVERSE OSMOSIS SYSTEM COMPONENTS

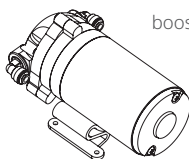
The manufacturer reserves the right to modify product design or specific components, if such modification does not entail deterioration of consumer properties of the product.

ZEN

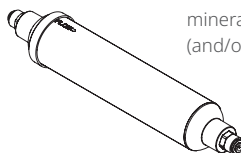
1) Filter rack



Options:



booster pump



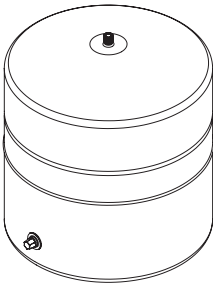
mineralizing postfilter
(and/or other type of postfilter)*

* depending on your configuration

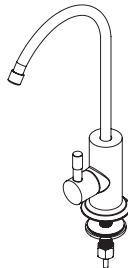
2. SPECIFICATIONS AND COMPONENTS

2.4. REVERSE OSMOSIS SYSTEM COMPONENTS

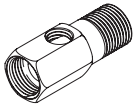
2) Pressure tank



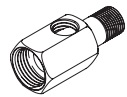
3) Drinkingwater faucet



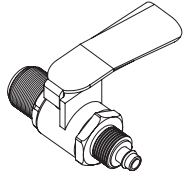
4) Feed water adapter 1/2"



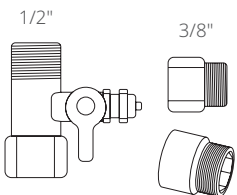
4.1) Feed water adapter 3/8"



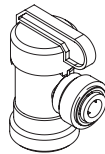
5) Feed valve



5.1) Feed water adapter with valve**



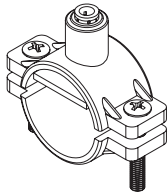
6) Tank valve



7) Set of colored tubes*



8) Drain saddle

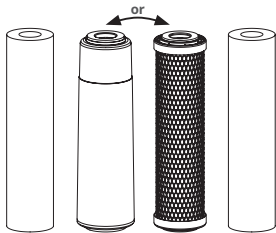


2. SPECIFICATIONS AND COMPONENTS

ZEN

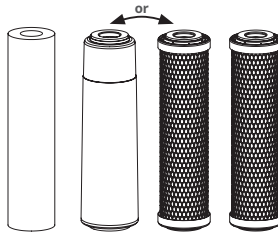
9) Set of pre-filter cartridges (may vary with model)

9.1) For the series Standard



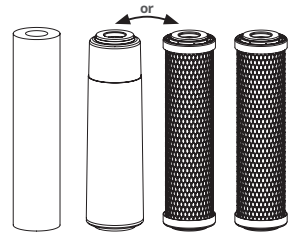
PP5 CPV25105 GAC CHV2510 CTO** AquaGreen PP1 CPV25101

9.2) For the series Absolute



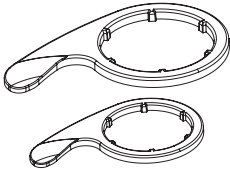
PP5-B CPV25105BECO GAC CHV2510 CTO** AquaGreen CTO AquaGreen

9.3) For the series PURE

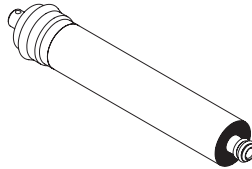


DGD-PP20/5 CPV2510205ECO GAC CHV2510 CTO** AquaGreen CTO AquaGreen

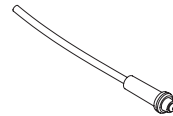
10) Sump and membrane housing wrenches



11) Reverse osmosis membrane



12) Flow restrictor



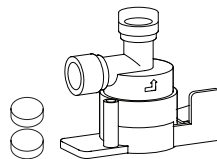
13) Locking clip: accessory securing push-fit connections from inadvertent disconnection in easily accessible locations. Presence of the clip has no effect on tightness of the connection. Quantity of clips in your reverse osmosis filter may vary depending on design of the product, and has no bearing on its performance.



14) Pressure reducer**



15) Leak sensor**



*The tubing set configuration may differ from the one shown.

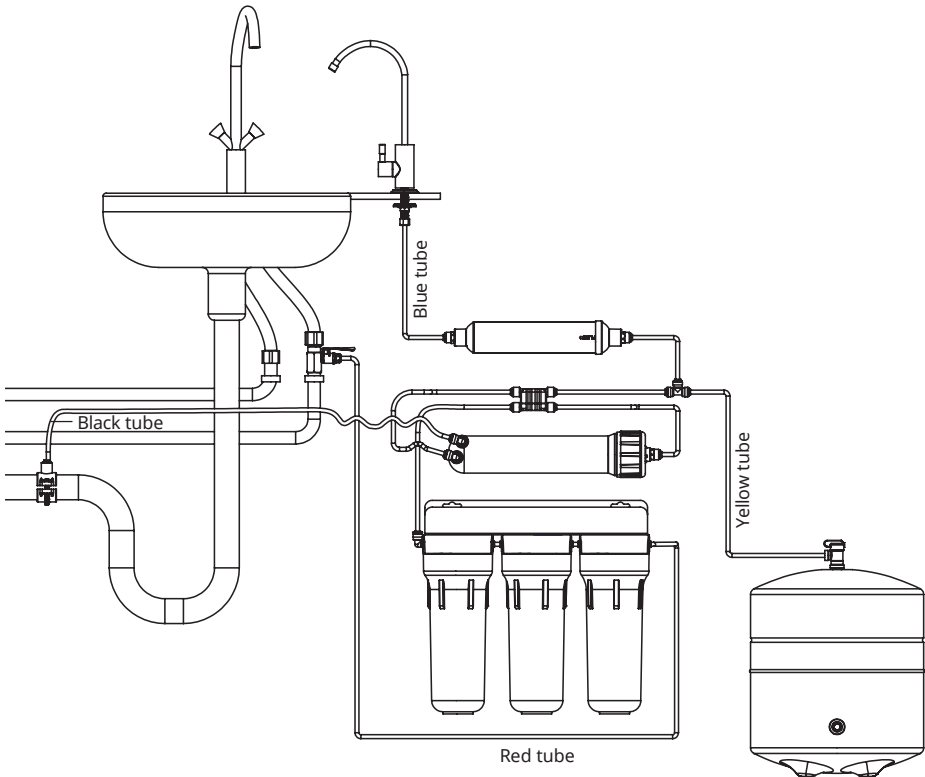
In reverse osmosis filters manufactured after 19.03.2025, the side fitting is connected to the red tube. During the installation of the reverse osmosis filter, connect it instead of the red plug.

**Added to the reverse osmosis filter package from the date of manufacture 01.01.2026.

3. CONNECTION DIAGRAMS

3.1. CONNECTION DIAGRAM FOR BASE MODEL

Before starting the installation, please review the following connection diagram corresponding to your filter model.



Models

MO 5 50

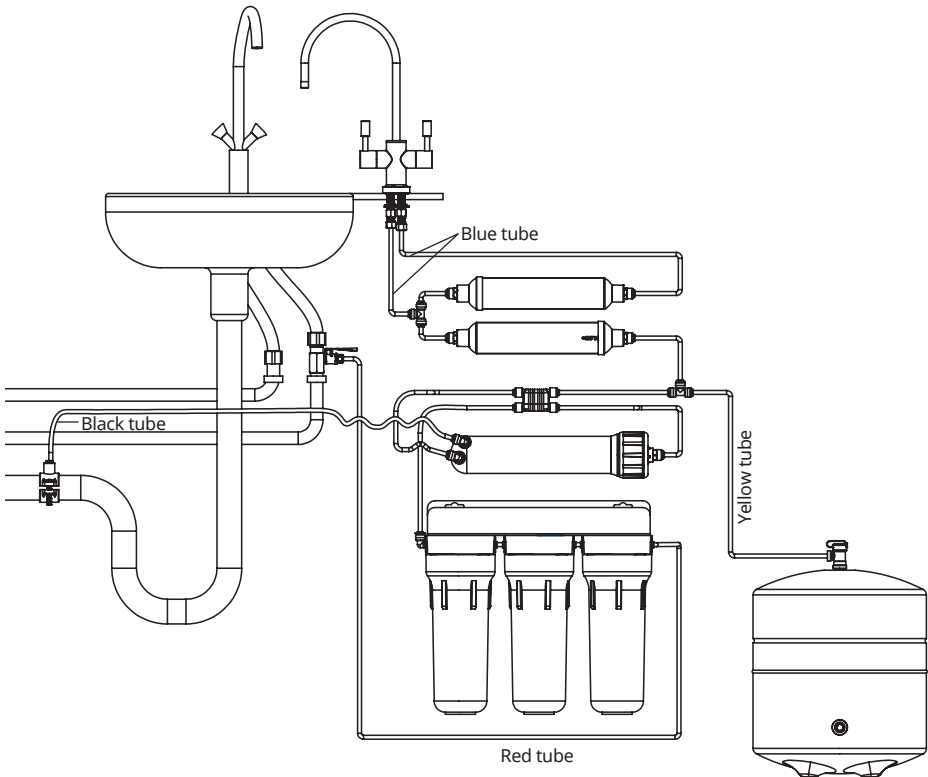
MO 5 75

MO 5 100

The manufacturer reserves the right to modify product design or specific components, if such modification does not entail deterioration of consumer properties of the product.

3. CONNECTION DIAGRAMS

3.2. CONNECTION DIAGRAM FOR THE SYSTEM WITH A REMINERALIZER AND DOUBLE FAUCET



Models

MO 6 50 M

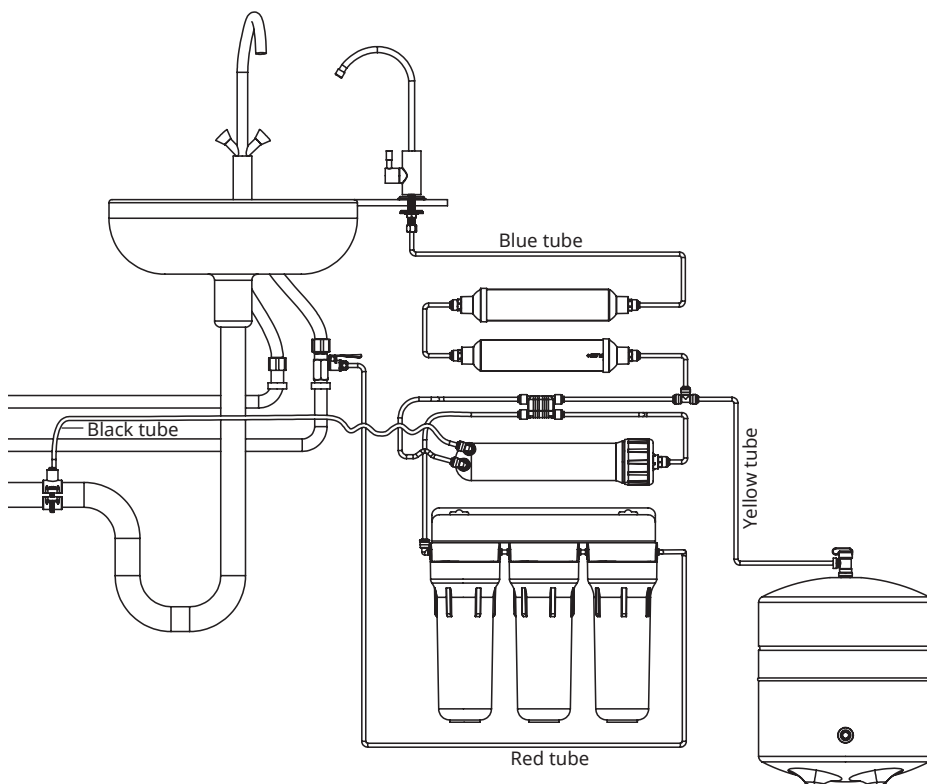
MO 6 75 M

MO 6 100 M

The manufacturer reserves the right to modify product design or specific components, if such modification does not entail deterioration of consumer properties of the product.

3. CONNECTION DIAGRAMS

3.3. CONNECTION DIAGRAM FOR THE SYSTEM WITH A REMINERALIZER AND SINGLE FAUCET



Models

MO 6 50 M

MO 6 75 M

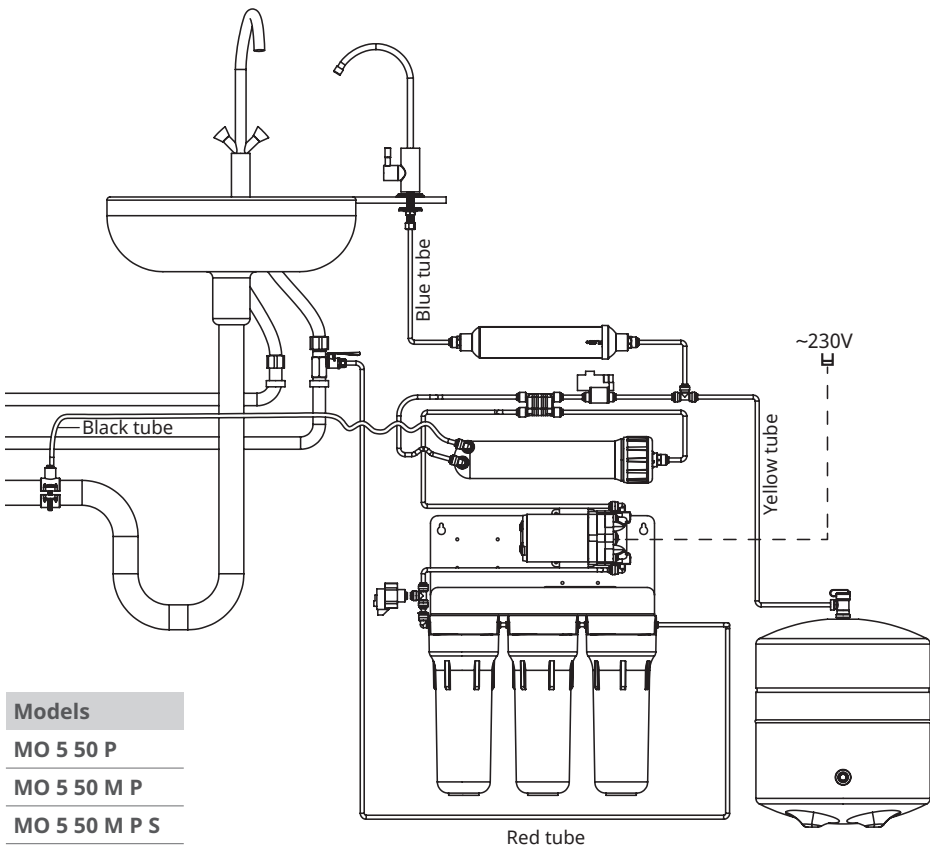
MO 6 100 M

The manufacturer reserves the right to modify product design or specific components, if such modification does not entail deterioration of consumer properties of the product.

3. CONNECTION DIAGRAMS

3.4. CONNECTION DIAGRAM FOR THE SYSTEM WITH A PUMP (5-STAGE FILTRATION)

EN

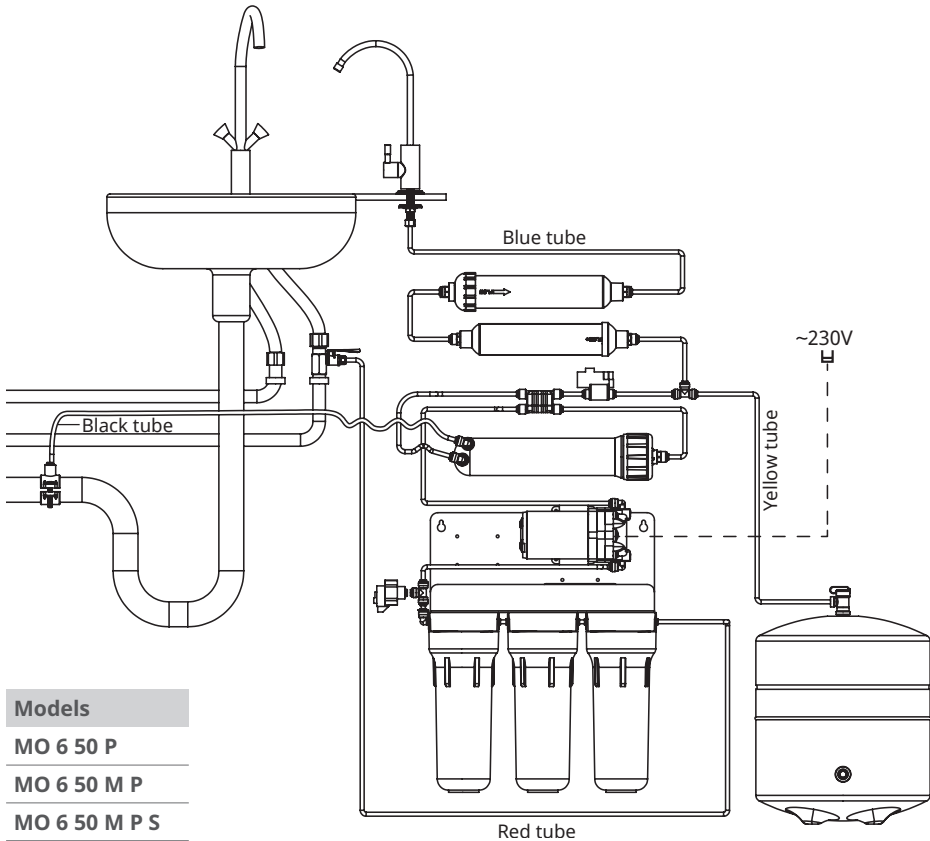


- Models**
- MO 5 50 P
 - MO 5 50 M P
 - MO 5 50 M P S
 - MO 5 75 P
 - MO 5 75 M P
 - MO 5 75 M P S
 - MO 5 100 P
 - MO 5 100 M P
 - MO 5 100 M P S

The manufacturer reserves the right to modify product design or specific components, if such modification does not entail deterioration of consumer properties of the product.

3. CONNECTION DIAGRAMS

3.4.1 CONNECTION DIAGRAM FOR THE SYSTEM WITH A PUMP (6-STAGE FILTRATION)



Models

MO 6 50 P

MO 6 50 M P

MO 6 50 M P S

MO 6 75 P

MO 6 75 M P

MO 6 75 M P S

MO 6 100 P

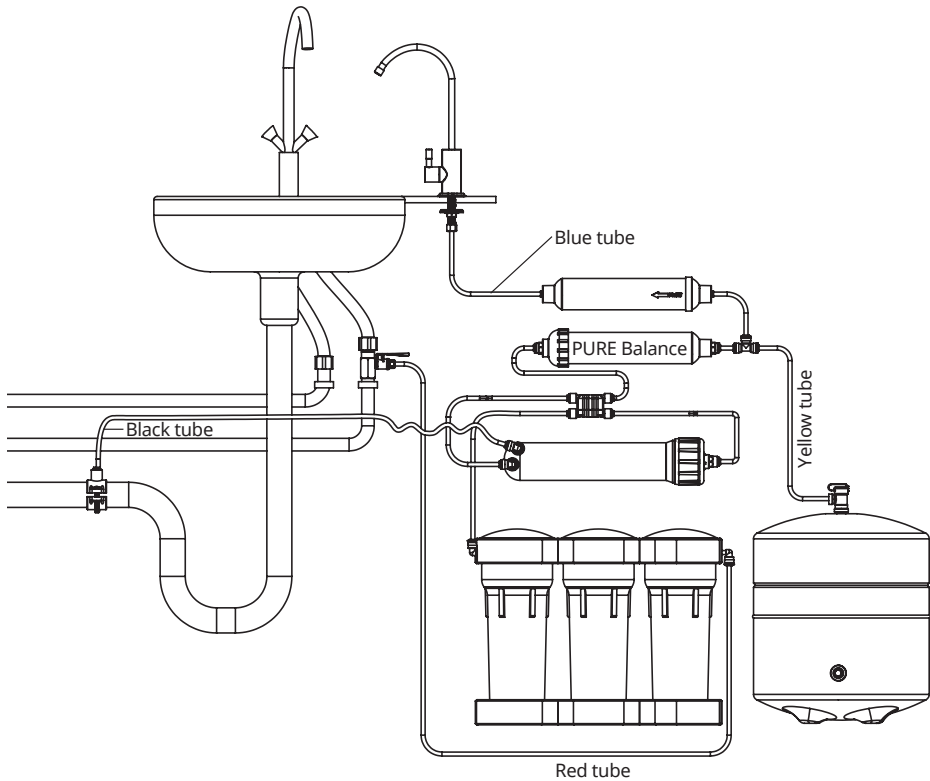
MO 6 100 M P

MO 6 100 M P S

The manufacturer reserves the right to modify product design or specific components, if such modification does not entail deterioration of consumer properties of the product.

3. CONNECTION DIAGRAMS

3.5. CONNECTION DIAGRAM FOR THE PURE BALANCE SYSTEM



Models

MO 6 50 M BAL

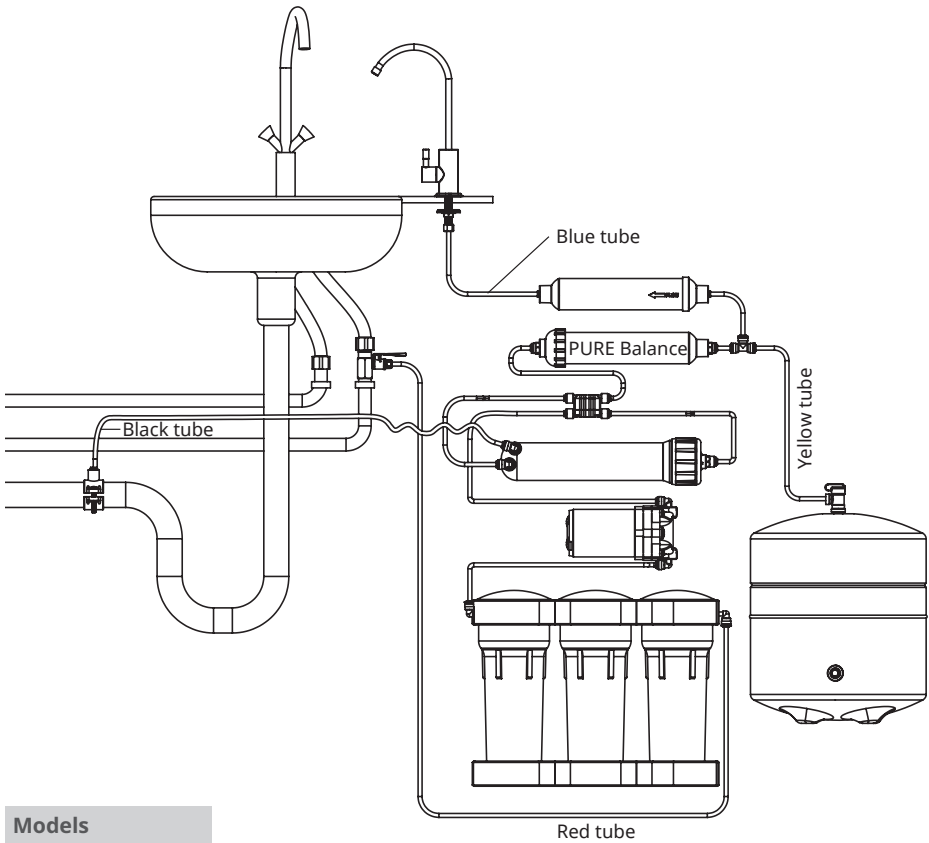
MO 6 75 M BAL

MO 6 100 M BAL

The manufacturer reserves the right to modify product design or specific components, if such modification does not entail deterioration of consumer properties of the product.

3. CONNECTION DIAGRAMS

3.5.1 CONNECTION DIAGRAM FOR THE PURE BALANCE SYSTEM WITH A PUMP



Models

MO 6 50 M P BAL

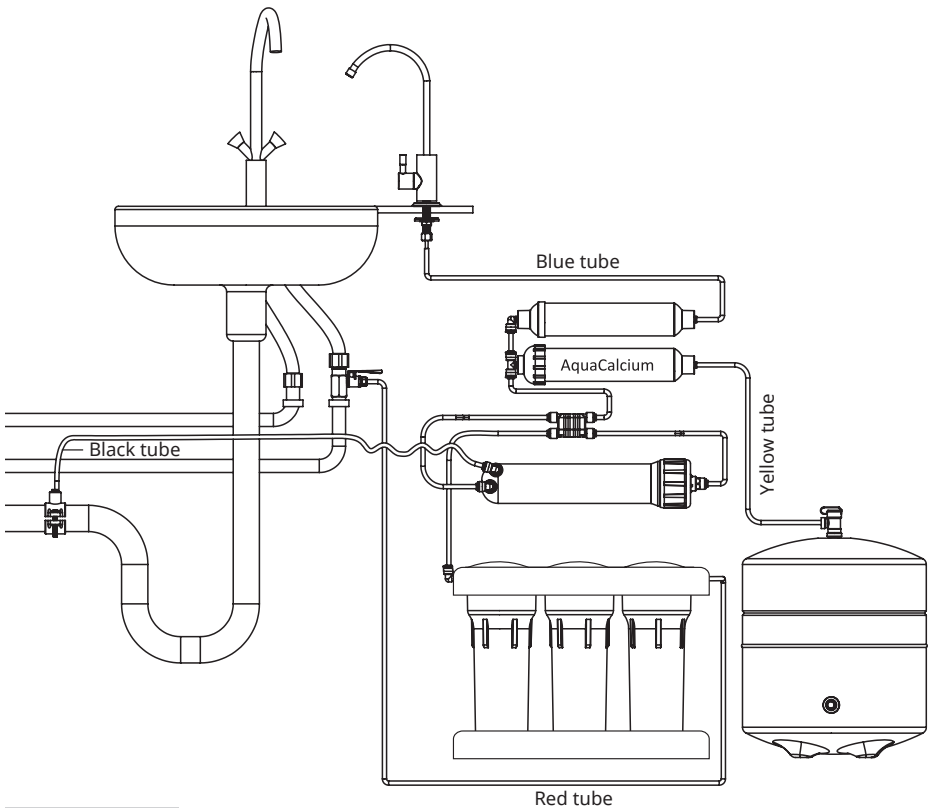
MO 6 75 M P BAL

MO 6 100 M P BAL

The manufacturer reserves the right to modify product design or specific components, if such modification does not entail deterioration of consumer properties of the product.

3. CONNECTION DIAGRAMS

3.6. CONNECTION DIAGRAM FOR THE PURE AQUACALCIUM SYSTEM



Models

MO 6 50 MAC

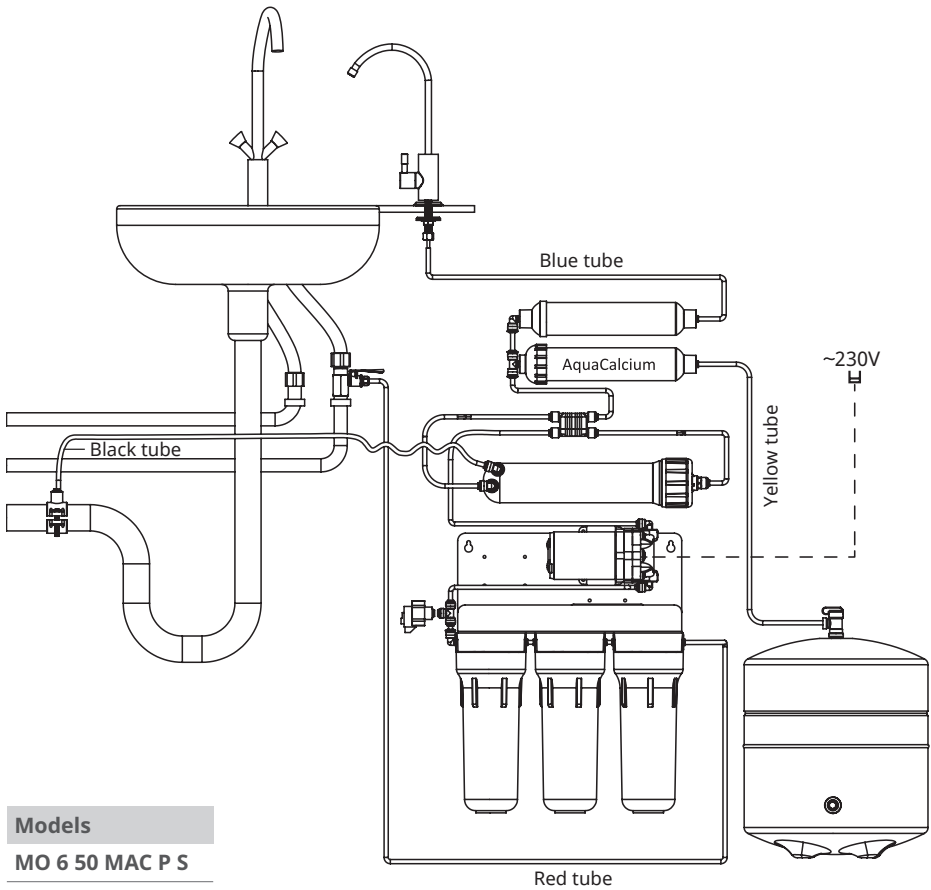
MO 6 75 MAC

MO 6 100 MAC

The manufacturer reserves the right to modify product design or specific components, if such modification does not entail deterioration of consumer properties of the product.

3. CONNECTION DIAGRAMS

3.6.1 CONNECTION DIAGRAM FOR THE PURE AQUACALCIUM SYSTEM WITH PUMP



Models

MO 6 50 MAC P S

MO 6 75 MAC P S

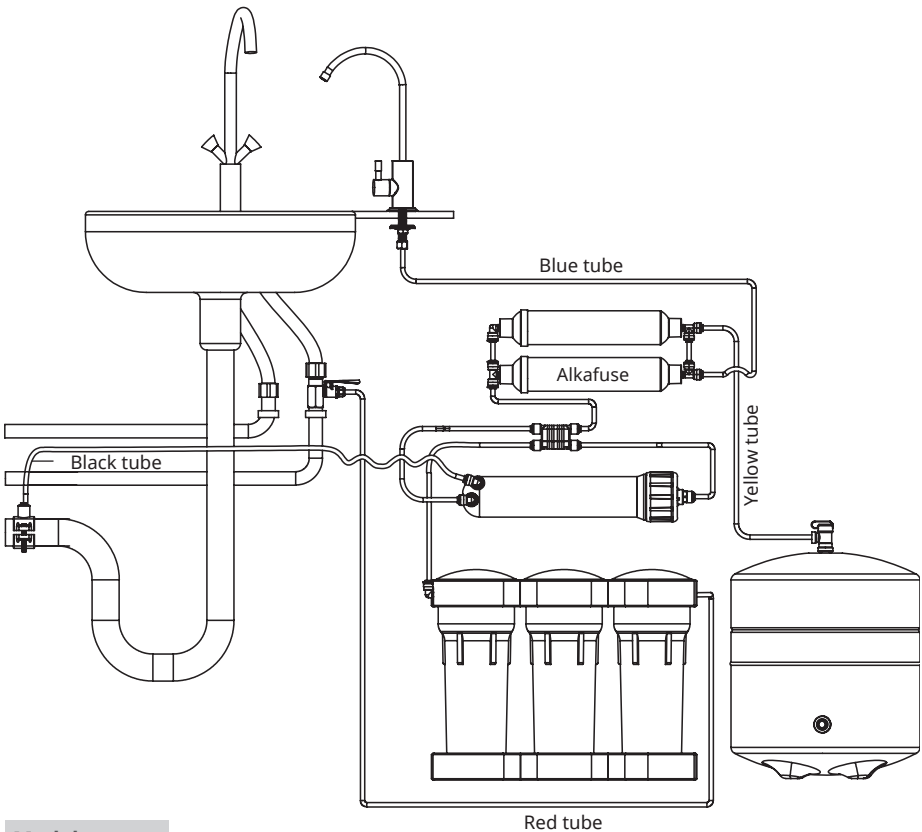
MO 6 100 MAC P S

The manufacturer reserves the right to modify product design or specific components, if such modification does not entail deterioration of consumer properties of the product.

3. CONNECTION DIAGRAMS

3.7. CONNECTION DIAGRAM FOR THE PURE ALKAFUSE SYSTEM

EN



- Models**
- MO 6 50 ALC**

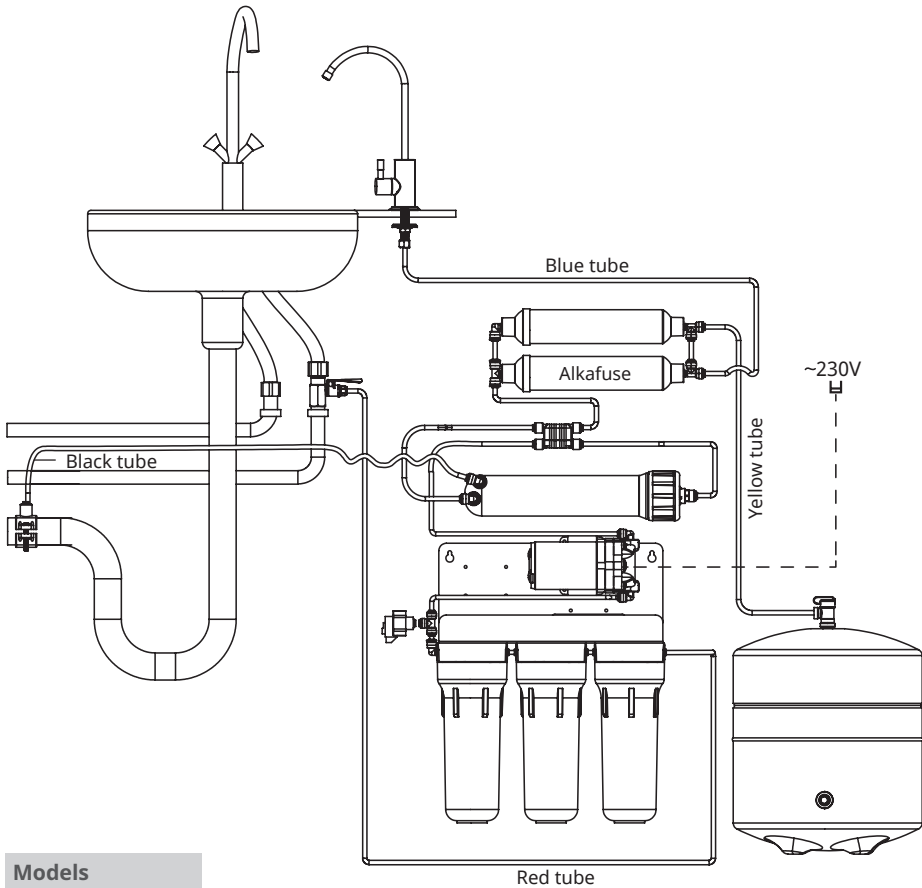
 - MO 6 75 ALC**

 - MO 6 100 ALC**

The manufacturer reserves the right to modify product design or specific components, if such modification does not entail deterioration of consumer properties of the product.

3. CONNECTION DIAGRAMS

3.7.1 CONNECTION DIAGRAM FOR THE PURE ALKAFUSE SYSTEM WITH PUMP



Models

MO 6 50 ALK P S

MO 6 75 ALK P S

MO 6 100 ALK P S

The manufacturer reserves the right to modify product design or specific components, if such modification does not entail deterioration of consumer properties of the product.

4. STEPS FOR INSTALLING REVERSE OSMOSIS SYSTEM



Before installing a domestic reverse osmosis filter please carefully read this instruction.



This system must be installed in compliance with local codes.



The product should only be used with cold water supply!

4.1. BEFORE COMMENCING INSTALLATION

- 1) Check that all parts are in the package. Do not open the plastic bags with filter parts before you make sure everything is in place to be able to return faulty/incomplete package.
- 2) Check conformity of your local variables to requirements specifications:

Main pressure*	Tank pressure*	Supply water temperature*
Check water pressure at mains before installing the product. Compare to the requirements in paragraph 2.2.	Check pressure in the tank bladder. Compare to the requirements in paragraph 2.2.	Check temperature of supply water. Compare to the requirements in paragraph 2.2.

*Refer to paragraph 2.2 for recommended measures in case any of the above variables does not meet the requirements.

- verify that your product is as specified in paragraph 2.2;
- verify that your supply water quality** meets the requirements in paragraph 2.3.

**If supply water quality does not meet the requirements, it is necessary to consult with a water treatment specialist.



3) Reverse osmosis systems must be protected from high pressure and sudden pressure surges caused by local water supply systems. A pressure regulator must be installed at the system's inlet.
The optimal operating pressure for the system is 3.5 bar (52.5 psi) the pressure regulator is pre-set to this parameter by the manufacturer. Failure to install a pressure regulator may result in damage to pressure-sensitive components and void the warranty.

- 4) Before installing the system, make sure there is enough space for both the filter rack and the pressure tank under the sink. In case there is not enough available space, pressure tank can be placed in a separate location provided that the yellow tube's length is sufficient to connect it to the rest of the system.
- 5) Electrical safety notice: This appliance should be connected into a circuit with an RCB installed. Please note voltage requirements.
- 6) Install the system per the guidelines of this manual.
- 7) Before installation, the specialist must record the date, incoming water pressure, water temperature, and the results of the incoming water analysis in the Installation Log (Paragraph 9.1). This information is essential for monitoring the operating conditions of the system, ensuring proper setup, and maximizing filtration efficiency. After installation, the time to fill the tank and the conversion rate should be recorded. This helps assess the system's performance and ensures that any deviations from the norm are detected promptly, which may affect its productivity.
- 8) The unit is to be supplied with single-phase 230 VAC, 50 Hz electrical power.



4. STEPS FOR INSTALLING REVERSE OSMOSIS SYSTEM

The unit is supplied with power cord and can be connected to a properly installed IEC 60884-1 compliant socket. Electrical specification of the unit can be found on manufacturer's factory sticker. That system and installation must comply with state and local laws and regulations.

4.2. INSTALLATION PROCEDURE

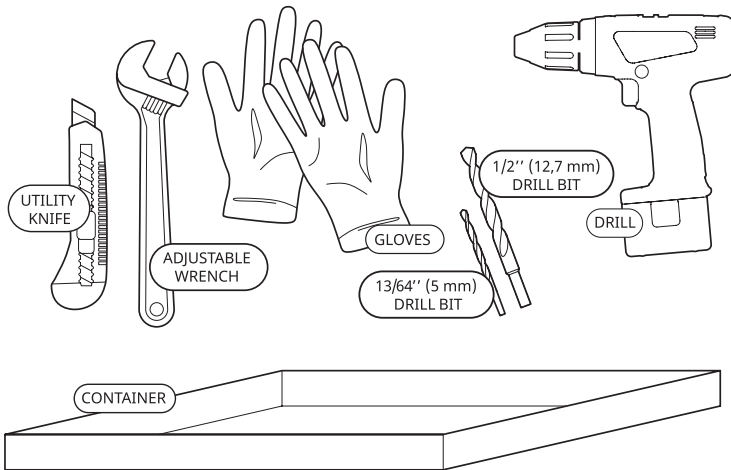


CAUTION! This system has been tested by the manufacturer for leaks, so within the system the presence of residual water is allowed.

Wash your hands thoroughly with anti-bacterial soap before handling tubes, cartridges, and membrane.

This system should desirably be installed in places protected from direct sunlight and away from heating appliances.

4.2.1 RECOMMENDED TOOLS FOR INSTALLATION



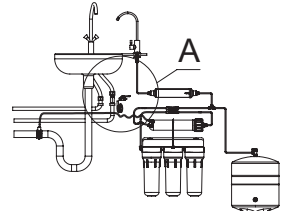
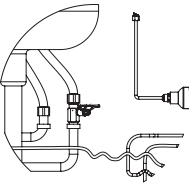
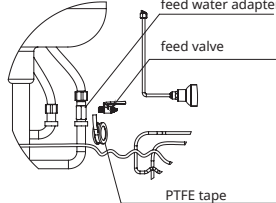
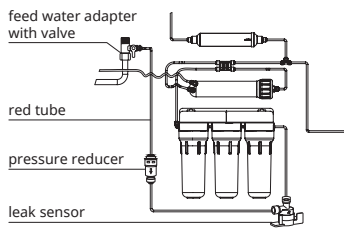
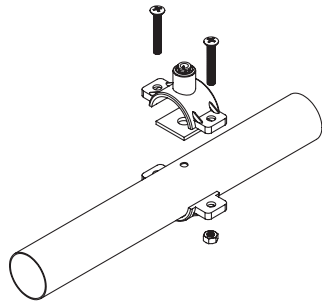
Do not allow children under the age of 3 to come into contact with small parts during the installation or maintenance of the filter.

Keep children away from the filter system and its components without adult supervision.

4.2.2 PROCEDURE FOR INSTALLATION

1.	Remove the reverse osmosis system from its packaging and check the equipment. Do not open the bag with components. Note that you will not be able to claim missing parts if the bag is opened.
2.	Shut off water supply in your kitchen or whole home and open water faucet where you are going to install the system (e.g., your kitchen sink) for 1 minute to relieve pressure in the system, and then close it.

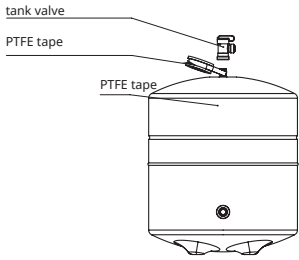
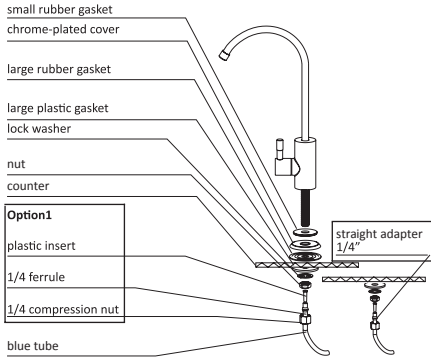
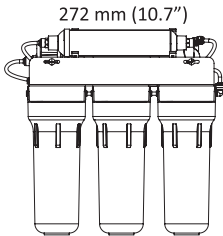
4. STEPS FOR INSTALLING REVERSE OSMOSIS SYSTEM

<p>3.</p>	<p>Screw the feed water adapter 4 into the cold water plumbing. Screw the feed valve 5 into the feed water adapter 4. To help prevent water leaks use PTFE sealing tape.</p> <p>Connections size is selected to fit most common size 1/2" and 3/8" pipe. If your pipe is of another size, prepare an appropriate adapter.</p>	 <p style="text-align: center;">Fig. A1</p>  <p style="text-align: center;">Fig. A2</p> 
<p>4.</p>	<p>Unscrew the compression nut from the feed valve 5 and put it on the red tube. Push the red tube on the end of feed valve's fitting and screw on the compression fitting. The other end of the red tube is already connected to the side fitting. Connect the fitting to the first (rightmost) filter housing of the filtration module instead of the red plug.</p> <p>The first element to be installed from the inlet water tap along the red tube is a mini pressure reducer*.</p> <p>Orient the pressure reducer* according to the arrow on the body (direction of water flow).</p> <p>Install the leak sensor* after the reducer.</p> <p>Connect the leak sensor outlet to the reverse osmosis filter using the red tube.</p> <p>Install the leak sensor* strictly horizontally on a flat surface under the system so that the absorbent element can work properly.</p>	
<p>5.</p>	<p>Connect the drain saddle 8 with drain pipe from the kitchen sink. The drain saddle is compatible with most standard drain pipes. Drill a hole of 5,0 mm (0.2") diameter in the kitchen sink drain pipe, apply rubber gasket with sticky base (included in the package). Install the drain saddle 8 on the drain pipe over the hole. Tighten screws on drain saddle with a screwdriver. Insert black tube into the connection on the clamp (figure 4). Connect the other end of the black tube with concentrate outlet of membrane housing.</p> <p>CAUTION! Check if the flow regulator 12 is installed in the black tube in the end connected to membrane housing.</p> <p>CAUTION! If RO systems do not use air gap faucets, it is required that they be plumbed in with a physical air gap between the waste water outlet and the drain. This is so if the drain backs up, sewage will not push up into the RO system.</p>	

*Added to the reverse osmosis filter package from the date of manufacture 01.01.2026.

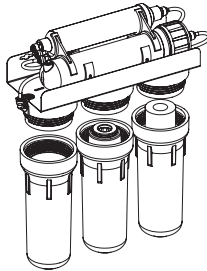
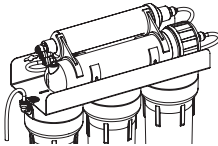
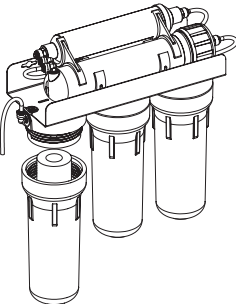
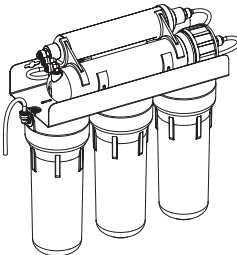
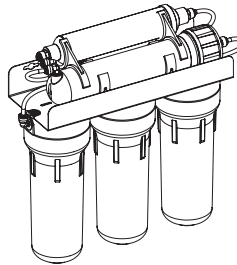


4. STEPS FOR INSTALLING REVERSE OSMOSIS SYSTEM

<p>6.</p>	<p>Add 5-6 wraps of PTFE tape to tank knob and hand tighten tank valve – do not overtighten, which may cause damage. Close the tank valve. IMPORTANT! Check air pressure in empty tank. Tank should be pressurized to 0.4-0.6 bar (5.8-8.7 psi). If necessary, use a pump with a pressure gauge to increase the pressure or push the core of the valve stem to relieve pressure.</p>	
<p>7.</p>	<p>Installation of the faucet.</p>	
<p>7.1</p>	<p>⚠ If your sink does not have a hole for the purified water faucet, it must be drilled.</p> <p>To install drinking water faucet 3 drill 12.5 mm (1/2") diameter hole for single way tap or 17 mm (2/3") diameter hole for two way tap in a convenient location at the sink or countertop. Caution! Metal filings can damage your unit. Carefully remove them as soon as you have drilled the hole. If the mounting surface is ceramic or stone, you may need a special carbide drill.</p>	
<p>7.2</p>	<p>Mount the faucet on the sink or countertop as shown in the figure. Nut, lock washer and plastic washer on the faucet shank must fix the faucet firmly on the surface.</p>	
<p>7.3</p>	<p>Take the blue tube, and in the following order, slide on compression nut, ferrule, then insert plastic insert into tube.</p>	
<p>7.4</p>	<p>Push the blue tube as deeply as possible into the bottom of the faucet's shank, ensuring the compression nut is in the joint. Screw on the compression nut in order to join the tube to the faucet.</p>	
<p>7.5</p>	<p>Installation of the double lever faucet (for models with the corresponding configuration) is done similarly.</p>	<p>Choose your option of the facet connection complete set</p>
<p>8.</p>	<p>Select spot where you are going to install the filter and make two holes. The distance between the holes in the wall must precisely correspond to that between the holes in the bracket. Allow for at least 100 mm (3.9") gap between the bottom of the filter and floor. Install screw anchors if necessary and screw in two screws (not included). The distance between the holes is 272 mm (10.7").</p>	

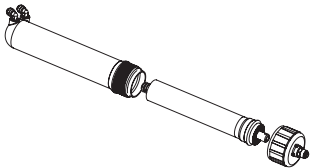
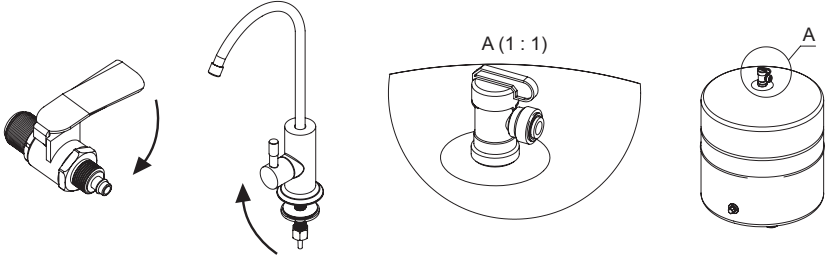
4. STEPS FOR INSTALLING REVERSE OSMOSIS SYSTEM

EN

<p>9.</p>	<p>Insert cartridges into the first and the second housings in the direction of water flow (leftwards).</p> <p>If the cartridges for PURE models are installed inside the filter housing, please release the air by removing the colored plugs (there may be a sound).*</p>	
<p>10.</p>	<p>Tighten all the three housings by hand.</p>	
<p>11.</p>	<p>Unplug the tube that connects the third housing (in the direction of water flow) with the auto shut-off valve from the valve.</p>	
<p>12.</p>	<p>Open the water tap 5 and let through the first two pre-filters with cartridges 5-7 liters (1.5-2 gallons) of water to wash off the carbon fines (black in colour) that may appear in cartridges during shipping. Then close feed water valve before installing the third cartridge.</p> <p>CAUTION! This water will pour through the tube disconnected from auto shut-off valve, prepare a vessel to collect it.</p>	
<p>13.</p>	<p>Insert the cartridge into the third sump along water flow direction and attach the sump back again. Connect the free end of the tube back to the auto shut-off valve.</p> <div style="display: flex; justify-content: space-around; align-items: center;">    </div> <p>If your reverse osmosis filter package contains only CTO Aquagreen and/or CTO pre-treatment cartridges (without a GAC carbon filter), you can skip steps 9-14.*</p> <p>If the cartridges for PURE models are installed inside the filter housing, please release the air by removing the colored plugs. For such filters, you can also skip steps 9-14.*</p>	

*Added to the reverse osmosis filter package from the date of manufacture 01.01.2026.

4. STEPS FOR INSTALLING REVERSE OSMOSIS SYSTEM

14.	<p>Install membrane 11 into the membrane housing. CAUTION! Cut the plastic bag to install the reverse osmosis membrane. Install the membrane without first unpacking it by pushing it into the housing directly from the bag. Avoid touching the membrane and only hold it covered with the bag.</p>	
15.	<p>Leave the feed valve 5 and purified water faucet 3 open for 30 minutes. Then open the tank valve 6. Close faucet 3 and carefully check all connections for leaks. CAUTION! The first week after installation, check the system daily for leaks, then do it periodically. If you are leaving for a long time such as for a business trip or vacation, shut off the water supply.</p>	
16.	<p>Let the water tank get filled (you will hear the water stop flowing). Depending on the water pressure in your water mains may take 1.5 to 3 hours. After that drain all water from the tank by opening the faucet 3 until the flow goes to a drip or slow dribble. After the tank has been emptied, close the faucet 3 so that the tank starts re-filling. Depending on the pressure in your water mains, it may take 1.5 to 3 hours. Drain 2-3 tanks of water. After that you can use purified water. In the models of filters with a mineralizing post-filter the purified water can be slightly turbid after installation. Drain several additional tanks of purified water.</p>	
17.	<p>Initially your water may appear cloudy which is due to air in the system. If you leave the glass of water for a few minutes, the water will become clear as the air escapes. This is normal and will eventually clear as the air is eventually flushed out of the filters.</p>	

5. STEPS AFTER INSTALLATION

VERIFICATION OF THE UNIT'S OPERATING PARAMETERS

1. Measure time needed to fill the tank. Tank is filled when the dumping of the concentrate into the drain has stopped. The value obtained is dependent on the supply water pressure (pressure in water mains).

5. STEPS AFTER INSTALLATION

2. Measure recovery (proportion of supply water that becomes purified). You will need 1 L (1 quart) measuring cup and a stopwatch.

Shut off tank valve 6, open faucet 3 and measure time that the unit takes to produce 1 L (1 quart) of permeate (purified water), then close faucet 3. Write down the result (t_{Permeate} in the equation below).

Disconnect the black tube connected to sink drain from drain saddle. Open faucet 3 and measure time that the unit takes to produce 1 L (1 quart) of concentrate (waste water), then close faucet 3 and open tank valve 6. Write down the result ($t_{\text{Concentrate}}$ in the equation below). Calculate recovery using formula:

$$R, \% = \frac{t_{\text{Concentrate}}}{t_{\text{Permeate}} + t_{\text{Concentrate}}} \times 100 \%$$

Where t is the number of seconds to obtain 1 L (1 quart) of water, R is recovery.

3. Measure TDS of supply water and TDS of purified water using a calibrated TDS meter.
4. Check if the auto shut-off valve functions properly. Close tank valve 6 and faucet 3. The unit must stop operating (water should stop being discharged to drain) within 10 minutes.
5. Check the unit for leaks.
6. Advise unit owner on filter maintenance and encourage to read this manual.
7. Make record of commissioning in the maintenance log in paragraph 9 of this book.
8. The reverse osmosis system contains a replacement treatment component, critical for the effective reduction of total dissolved solids and that product water shall be tested periodically to verify that the system is performing properly.

6. USAGE

1) Purpose of the System

The domestic reverse osmosis system is designed for the post-treatment of cold water only.

2) Replacing Pre-Filter Cartridges

If the time to fill the tank has increased, this may indicate that the pre-filter cartridge set has reached the end of its lifespan and needs immediate replacement. Delaying the replacement of the cartridges may cause damage or destruction of the membrane. To avoid such critical situations, we strongly recommend replacing the pre-filter cartridge set at least once every 6 months. It is important that the cartridges are compatible with your filter model.

6. USAGE

3) Replacing the Reverse Osmosis Membrane

If the filtration rate significantly drops, this may be a sign that the reverse osmosis membrane needs replacement. To ensure stable quality of purified water, it is recommended to replace the reverse osmosis membrane at least every 1 to 1.5 years. If the TDS (Total Dissolved Solids) level in the purified water exceeds the allowable limit, this is also a signal for membrane replacement.

4) Disinfection and Replacement of Filter Elements

In the case of long breaks in system operation (longer than 2 weeks), it is necessary to disinfect the system as described in item 7, as well as to replace all filter elements. This will prevent microorganism buildup and ensure high water quality after use. The system disinfection also includes treating pipes and the water tank to prevent bacterial or mold growth.

5) Shutting Off the Water Supply During Extended Absence

If you do not plan to use the system for an extended period (more than 2 days, for example, during a vacation or business trip), it is recommended to shut off the water supply to the system. This will help avoid water leakage or potential damage to the system, especially in the case of unforeseen situations, such as pressure fluctuations or connection issues. It is also important to check the tightness of all connections before leaving the system unattended.

6) Water Pressure Check

Water should be supplied to the system at a pressure that matches the manufacturer's recommended parameters (usually 2-4.5 bar). If the water pressure is too low, the system may operate inefficiently, and if it is too high, it may damage the membrane. Using a water pressure reducer to adjust the pressure is mandatory.

7) Installing a Pressure Regulator Before the Reverse Osmosis System

The reverse osmosis system must be protected from high pressure and sharp pressure fluctuations, which may occur due to local water supply system characteristics. A pressure regulator must be installed at the system's inlet. The optimal working pressure for the system is 3.5 bar (52.5 psi). The absence of a pressure regulator may lead to damage to pressure-sensitive components and void the warranty.

8) Do Not Use the System to Purify Water Containing Oils, Solvents, or Aggressive Chemicals

Reverse osmosis is not suitable for purifying water containing organic solvents, oils, or other aggressive chemicals. Such contaminants can damage the membrane and reduce filtration efficiency. Specialized filtration systems are required for purifying water with such pollutants.

9) Cleaning External Components

To maintain cleanliness and safety of the system, clean the external components (e.g., the casing, connections) with a soft cloth dampened with a cleaning solution. Avoid using harsh chemicals that may damage the system's surface and components.

6. USAGE

10) Monitoring System Operation

Periodically check the system's operation, monitor changes in performance, and the water level in the tank. If the system starts working at reduced levels or there are unusual noises or smells, it may signal the need for immediate servicing or component replacement.

11) Record the Date and Work Done in the Maintenance Log During Each Service

For convenience and proper system operation, it is recommended to maintain a maintenance log. It should record the dates of cartridge, membrane, and other component replacements, as well as the dates of disinfection and other important maintenance tasks.

12) Check the System for Leaks

Check the system for leaks. If any leaks are detected, contact the service team.

13) To prevent leaks and ensure proper filter operation, the sealing rings located in the filter element flasks must be replaced at least once a year.

Failure to comply with this requirement may result in system failure and leaks.

14) Mini pressure reducer

Install the reducer on the filter inlet hose, following the direction of water flow indicated by the arrow on the body.

15) Leak sensor

Mount the sensor horizontally under the system on a flat surface — between the pressure reducer and the filter.

Warranty Disclaimer:

The warranty does not cover damages caused by violation of operating conditions, such as using the system for purposes other than intended, improper maintenance or modifications, absence of a pressure regulator, or the use of water containing aggressive chemicals. Failure to follow recommendations regarding cartridge replacement, membrane replacement, water pressure checks, or disinfection may result in the loss of warranty.

6. USAGE

6.1. PARTS OF THE FILTER AND THEIR RECOMMENDED CHANGE OUT RATES

Stage of filtration	Name of cartridge	Term for replacement*
First, second, third	Ecosoft Polypropylene melt blown sediment filter 5 micron	Once in 3 month for all models of reverse osmosis systems, except models with AquaGreen technology. Once in 6 month for models with AquaGreen technology
	Ecosoft Granular activated carbon filter	
	Ecosoft AquaGreen carbon-block filter	
	Ecosoft Polypropylene melt blown sediment filter 1 micron	
Fourth	Ecosoft CTO Activated carbon block replacement filter	Once in 6 month for models with AquaGreen technology
	Ecosoft Sediment polypropylene replacement filter 5-micron with bacteriostatic effect	
	Ecosoft Reverse osmosis membrane* 50 GPD	
Fourth	Ecosoft Reverse osmosis membrane* 75 GPD	Once a year
	Ecosoft Reverse osmosis membrane* 100 GPD	
Fifth, sixth	Ecosoft Coconut carbon postfilter	Once in 6 month
	Ecosoft Balance	
	Ecosoft Mineralizing postfilter	
	Ecosoft Alkafuse	
	Ecosoft AquaCalcium	

* This Reverse Osmosis system contains a replaceable treatment component critical for effective reduction of total dissolved solids. The product water shall be tested periodically to verify that the system is performing satisfactorily.



To purchase replacement components, visit www.ecosoft.com.

REPLACEMENT FILTERS ARE COMPATIBLE WITH DOMESTIC REVERSE OSMOSIS

Standard series

Cartridge type	Recommended replacement period, months	Filter model		
		MO550ECOSTD	MO550PECOSTD	MO650MECOSTD
Pre-filter cartridges	every 3	CPV3ECOSTD or CHV3ECO		
Membrane element	every 12	CSV181250ECO		
Carbon postfilter	every 6	CHV2010ECOPKG		
Mineraliser postfilter	every 6	—	—	PD2010ECOPKG

*The frequency of cartridge replacement depends on the quality of the incoming water. The maximum service life of replaceable elements from the moment of installation is 2 years.

6. USAGE

Cartridge type	Recommended replacement period, months	Filter model		
		MO550MECOSTD	MO550MPECOSTD	MO550MPSECOSTD
Pre-filter cartridges	every 3		CPV3ECOSTD	
Membrane element	every 12		CSV181250ECO	
Carbon postfilter	every 6	—	—	—
Mineraliser postfilter	every 6		PD2010ECOPKG	

Absolute series

Cartridge type	Recommended replacement period, months	Filter model	
		MO675MECO	MO675MPSECO
Pre-filter cartridge set and mineraliser and/or postfilter	every 6		CHV5ECOABS
Pre-filter cartridge set and mineraliser and/or post-filter with membrane element	every 12		CHV6ECOABS

PURE series

Cartridge type	Recommended replacement period, months	Filter model		
		MO675MPUREBALECO MO675MBALPSECO	MO675PUREMACECO MO675PSMACECO	MO675ALCPUREECO MO675MALCPSECO
Pre-filter cartridge set and mineraliser and/or postfilter	6	CHV5PUREBAL	CHV5PUREMAC	CHV5PUREALC
Pre-filter cartridge set and mineraliser and/or post-filter with membrane element	12	CHV6PUREBAL	CHV6PUREMAC	CHV6PUREALC

*The frequency of cartridge replacement depends on the quality of the incoming water. The maximum service life of replaceable elements from the moment of installation is 2 years.

6. USAGE



In case of a decline in the quality of incoming water, the replacement filter lifespan may be reduced.



Maintenance of the system should be carried out only by a qualified specialist.



The replacement of pre-treatment cartridges is required every 3 months for all filter models, except for models with the AquaGreen function. For models with AquaGreen, replacement is required every 6 months.



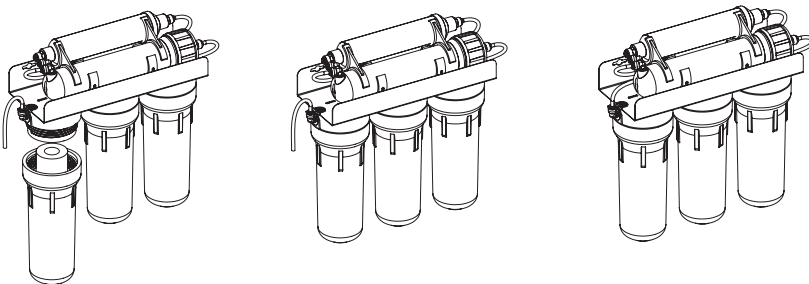
To purchase replacement filters, visit <https://www.ecosoft.com/>

6.2. THE PROCEDURE FOR REPLACING PRE-FILTER CARTRIDGES

1.	Shut off feed valve 5 and tank valve 6 .	
2.	Wash your hands with antibacterial soap.	
3.	Unscrew with the sump wrench 10 first and second sumps in water flow direction (right to left). Be careful as the sumps are filled with water.	
4.	Remove the used filter cartridges.	
5.	Wash sumps with unflavored soap and a clean sponge, then rinse thoroughly with water.	
6.	Insert the new cartridges in the first and second sumps by water flow direction.	
6.1	If your reverse osmosis filter cartridge kit only contains CTO Aquagreen and/or CTO (without a GAC carbon filter), you can skip steps 7–11.	
7.	Disconnect the tube stemming from the third sump from the auto shut-off valve.	
8.	Open feed valve 5 and flush the first two installed cartridges with 5–7 liters (1.5–2 gallons) of water to rinse the carbon dust that may have been produced in cartridges during shipping. CAUTION! This water will pour through the tube disconnected from auto shut-off valve. Prepare a vessel to collect it.	

6. USAGE

EN

9.	Remove the third pre-filter's sump from filter head. Be careful as it is filled with water.
10.	Remove the used filter cartridge and wash the sump with unscented soap and a clean sponge, then rinse thoroughly with water.
11.	Insert new cartridge into the third sump. Screw the sump back on and let through at least 4 more liters of water to flush the carbon dust. Close feed valve 5 and reconnect the tube with the auto shut-off valve.
	
13.	Open tank valve 6 .
14.	Open feed valve 5 .

6.3. THE PROCEDURE FOR REPLACING MEMBRANE



Membrane replacement should be performed by a qualified specialist.

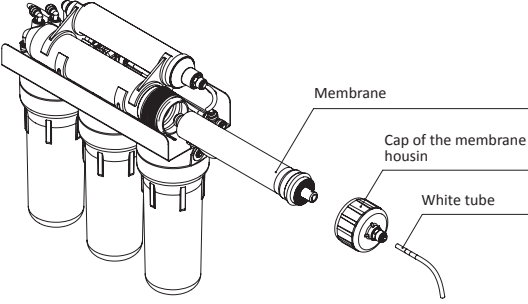


To purchase replacement filters, visit <https://www.ecosoft.com/>



The replacement of the reverse osmosis membrane is recommended once a year.

6. USAGE

1.	Turn off water supply to the system (feed valve 5), shut off the tank valve 6 .
2.	Open the purified water faucet 3 to relieve permeate pressure.
3.	Disconnect the white tube from the inlet in membrane housing cap.
4.	Unscrew the membrane housing cap.
5.	Remove the used reverse osmosis membrane 11 (remember which end of the membrane goes where).
	
6.	Lubricate rubber seals of the fresh replacement membrane and membrane housing cap sealing. CAUTION! To avoid damage to the membrane, only use food grade glycerol as lubricant.
7.	Install the fresh membrane into the housing, observing its direction and position of the tube. CAUTION! Cut the plastic bag to install the reverse osmosis membrane. Install the membrane without first unpacking it by pushing it into the housing directly from the bag. Avoid touching the membrane and only hold it covered with the bag.
8.	Screw on the housing cap.
9.	Connect the white tube to the membrane housing inlet.
10.	Open the water supply tap 5 .
11.	Open the water supply tap 5 and the purified water faucet 3 for 30 minutes. Turn the ball valve 6 on the tank 2 to the «Open» position. Close the purified water faucet 3 and carefully check all connections for leaks.
12.	Close drinking water faucet 3 .
13.	Open the tank valve 6 .
14.	Open the feed valve 5 .
15.	Once the tank is full (you will hear the water stop flowing), drain all water from the tank into the sink by opening faucet 3 . When the water stops running, close the purified water faucet 3 so that the tank starts to re-fill. Depending on the pressure in your water mains, filling may take 1.5 to 3 hours. After the second tank re-fill, you can safely use the purified water.

6. USAGE

6.4. THE PROCEDURE FOR REPLACING CARBON POSTFILTER AND/OR MINERALIZING POSTFILTER



Maintenance of the system should be carried out only by a qualified specialist.

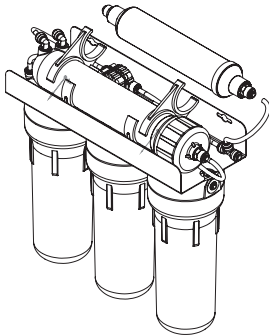


To purchase replacement filters, visit <https://www.ecosoft.com/>



The replacement of the carbon postfilter and remineralizer should be performed every 6 months.

1.	Turn off water supply to the system (feed valve 5), shut off the tank valve 6 .
2.	Open the purified water faucet 3 to relieve permeate pressure.
3.	Disconnect the tubes that connect the carbon postfilter / mineralizing postfilter to the rest of the system (remember which goes where).
4.	Remove the used carbon postfilter / mineralizing postfilter from clip brackets.
5.	Install new carbon postfilter / mineralizing postfilter, guided by arrows that indicate the direction of water flow.
6.	Connect the tubes to the new carbon postfilter / mineralizing postfilter to connect it to the system.
7.	Open feed valve 5 . Open tank valve 6 .
8.	<p>Once the tank is full (you will hear the water stop flowing), drain all water from the tank into the sink by opening faucet 3. When the water stops running, close the purified water faucet 3 so that the tank starts to re-fill.</p> <p>Depending on the pressure in your water mains, filling may take 1.5 to 3 hours. After the second tank re-fill, you can safely use the purified water.</p> <p>In the models of filters with a mineralizing postfilter the purified water can be slightly turbid after installation. Drain several additional tanks of purified water.</p>



7. SANITIZATION OF REVERSE OSMOSIS FILTER



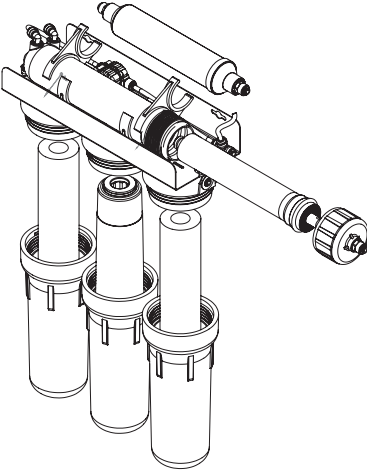
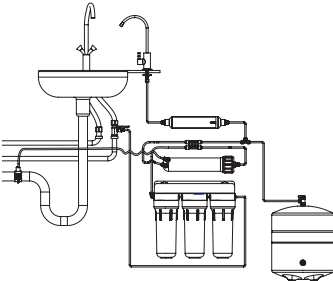
Maintenance of the system should be carried out only by a qualified specialist.

Sanitization of the reverse osmosis filter is recommended after it has been in use for an extended period (~ 6 months), and when the filter is not going to be used for 2 or more weeks at a time. It is also desirable to sanitize the system when replacing cartridges.

Using chlorine disinfectant tablets is recommended for reverse osmosis filter sanitization.

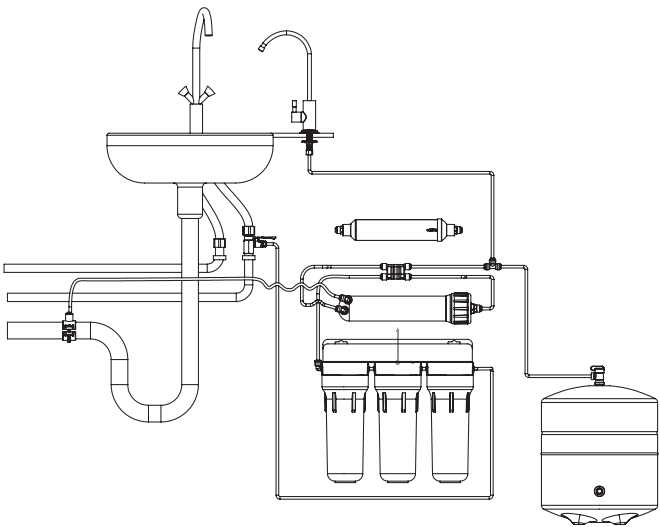
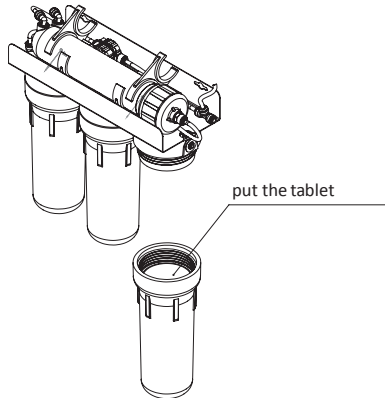


The disinfectant is harmful! Keep it out of reach of children. After using the disinfectant, wash your hands thoroughly.

1.	Shut off feed valve 5 and tank valve 6 .
2.	Remove and discard the pre-filter cartridges and carbon postfilter. 
3.	Unscrew cap of membrane housing and remove membrane using needlenose pliers if necessary. Put the membrane into a tight bag and store in refrigerator at +2...+5°C (36...41 °F).
4.	Screw back on 2nd and 3rd pre-filter sumps, screw on membrane housing cap, and connect the tube from the faucet directly to the union tee without carbon postfilter. 

7. SANITIZATION OF REVERSE OSMOSIS FILTER

ZEN

<p>4.</p>	
<p>5.</p>	<p>Put a chlorine tablet in the 1st sump. Fill the sump with water and screw on.</p> 
<p>6.</p>	<p>After 15 minutes, open the drinking water faucet 3 and feed valve 5.</p>
<p>7.</p>	<p>When water running from the faucet 3 starts to smell like chlorine, close both the faucet 3 and feed valve 5.</p>
<p>8.</p>	<p>Leave the system for 2-3 hours.</p>
<p>9.</p>	<p>Open faucet 3 and feed valve 5 and let water run until bleach odor is gone.</p>
<p>10.</p>	<p>Install all consumable parts back into the system. Open tank valve 6 and feed valve 5.</p>
<p>11.</p>	<p>Drain the tank and re-fill for at least two times (until chlorine odor cannot be smelt).</p>

7. SANITIZATION OF REVERSE OSMOSIS FILTER

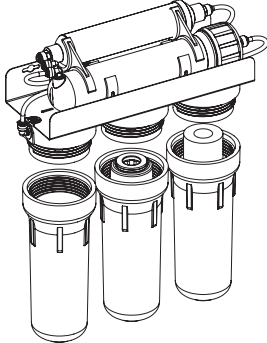
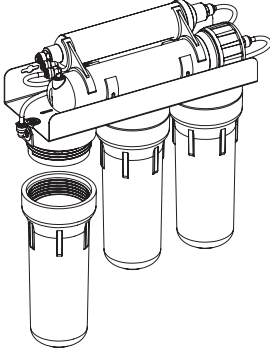
7.1. SANITIZATION OF PRESSURE TANK



Maintenance of the system should be carried out only by a qualified specialist.



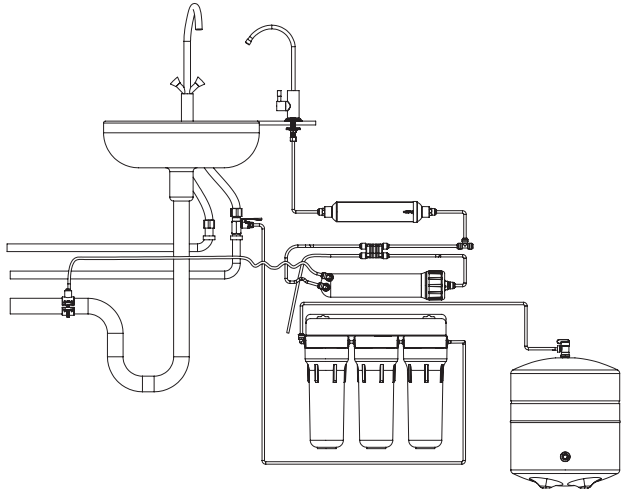
The disinfectant is harmful! Keep it out of reach of children. After using the disinfectant, wash your hands thoroughly.

1.	Turn off feed valve 5 .
2.	Open the faucet 3 and empty the pressure tank in the drain.
3.	Shut tank valve 6 .
4.	<p>Extract pre-filter cartridges.</p> <div style="text-align: right; margin-top: 20px;">  </div>
5.	<p>Install 2nd and 3rd sumps (by water flow direction) back on filter.</p> <div style="text-align: right; margin-top: 20px;">  </div>

7. SANITIZATION OF REVERSE OSMOSIS FILTER

ZEN

6. Disconnect the tube going to the storage tank from the union tee before the carbon postfilter, and into 3rd pre-filter's outlet.



- 7.** Put a disinfection tablet in the 1st sump. Fill the sump with water and screw on.
- 8.** After 15 minutes, open tank valve **6**.
- 9.** Open the feed valve **5** for 5 minutes.
- 10.** Close the tank valve **6** and leave the tank filled with chlorine solution for 1-2 hours.
- 11.** Open tank valve **6** and drain all water from the tank to the sink. Disconnect it from the third pre-filter and restore the original tubing of the system.
- 12.** Put cartridges in sumps and install the sumps on their heads. Then, open tank valve **6** and feed valve **6**.
- 13.** Drain the tank and re-fill for at least three times (until chlorine odor cannot be smelt).

8. TROUBLESHOOTING

Problem	Cause	Solution
Fitting leak	Tube is not joined tightly	Remove and rejoin the tube
Drain saddle leak	Drain saddle is not installed properly	Reinstall drain saddle as described in paragraph 4.2 in this manual
Pre-filter sump leak	O-ring seal is lacking or misaligned	Check that the O-ring seal is properly aligned in the groove inside sump
	Sump is not joined tightly	Tighten the sump till snug, the ring must be replaced at least once a year.
Water runs too slowly from the faucet or slows down substantially a few seconds after the faucet is opened	Water supply pressure too low	This RO system requires at least 3 bar to function properly. If necessary, install a pressure booster pump or consult a plumber
	Pre-filter cartridges are clogged	Replace pre-filter cartridges
	Membrane is clogged	Measure permeate flowrate by closing tank valve 6 and opening faucet 3. Use a measuring cup to check if the time it takes to produce 1 L drinking water is as follows: – 8 minutes with 50 gpd membrane; – 5-6 minutes with 75 gpd membrane; – 4 minutes with 100 gpd membrane. If it took twice as long or more to produce 1 liter of water, the membrane may need to be replaced (refer to the store where you bought this product)
	A tube is kinked	Straighten the tube
	Pressure tank is deflated	Pressure in the empty tank should be 0.4-0.6 bar (6-9 psi). Charge the tank to the above pressure
The system will not switch off	Air in the auto shut off valve	The air will go away by itself with continued operation of the system
	Water supply pressure too high	Check your water supply pressure. If necessary, install a pressure regulator or refer to a plumber

8. TROUBLESHOOTING



Auto shut-off valve knocks	Pressure surges in water mains	Install a check valve on the main pipe in your kitchen or at the point of entry of your home's water supply. Refer to a plumber.
The system is always on (water is drained continuously)	Water supply pressure too low	This RO system requires at least 3 bar (44 psi) to function properly. If necessary, install a pressure booster pump or consult a plumber
	Pre-filter cartridges are clogged	Replace pre-filter cartridges
	Membrane is clogged	Measure flow of product water by closing the tank valve and opening the faucet. Measured flow rate should correspond to nominal membrane flow rate.
	Missing or misplaced flow restrictor	Flow restrictor must be installed in the tube running from membrane housing to drain. Flow restrictor must face membrane housing. If it faces drain saddle fitting, clean it and swap ends of the tube so that it is placed at the outlet of membrane housing. If flow restrictor was not installed, install one.
	Failure of auto shut-off valve	The RO system operating ceaselessly while the tank is full may be due to automatic shutoff valve failure. Contact the store where you bought this product if no other possible cause can be established
	Failure of check valve in the transition fitting installed at membrane housing permeate outlet	Pressure in the empty tank should be 6-9 psi (0.4-0.6 bar). Charge the tank to the above pressure if necessary
	Pressure tank is deflated	Open drinking water faucet and let some water out. It is normal for the system to stand idle when the pressure tank is full of water.
The system will not turn on (no water runs to sink drain)	Pressure tank is full	Open drinking water faucet and let some water out. It is normal for the system to stand idle when the pressure tank is full of water.
	Flow restrictor is clogged	Clean or replace flow restrictor
	Drain saddle fitting is not centered on drain pipe hole	Correctly position the drain saddle

8. TROUBLESHOOTING

Drinking water has a milky or cloudy appearance that goes away after a few minutes	Air in the system	Some air in the system is normal for a few days after the system was installed. In some cases, air bubbles may appear due to supply water being significantly lower temperature than your home's ambient temperature
Water has a taste and/or odor	Carbon postfilter has expired	Replace the postfilter
	Preservative solution in the membrane has not been flushed out	Drain all the water from the tank and let the system re-fill it
	Contamination in reverse osmosis system	Sanitize the system per instructions in section 7
	Contamination in pressure tank	Replace the tank or sanitize per instructions in paragraph 7.1
Pressure tank holds too little water	Tank bladder is overpressurized	Pressure in empty tank should be 0,4-0,6 bar (6-9 psi). Make sure pressure in your tank is in line with the above figures
No water is dispensed from faucet albeit tank is full	Tank bladder is underpressurized	Pressure in empty tank should be 0,4-0,6 bar (6-9 psi). Make sure pressure in your tank is in line with the above figures
	Tank valve is closed	Open tank valve

9. SERVICE RECORD

The manufacturer strongly recommends keeping a maintenance log to record all performed tasks, such as system commissioning, replacement of filters and the membrane, disinfection, and other procedures. This information will greatly assist the service technician during diagnostics of your reverse osmosis system and may also be required by the manufacturer in case of warranty claims or system performance deviations.

9.1 COMMISSIONING

Commissioning date, DD: MM: YY	Main pressure	Feed water temperature, °C	Presence of pressure reducer	Sanitization performed, YES / NO	Tank fill duration, HH: MM	Recovery, %	Recommendations	Availability of feed water analysis (YES/NO) (date of analysis)	Further information about installed equipment: name, date of installation (Example: pressure regulator, pump, POE water filter, etc.)	Seller's identity	Installer's identity

Installation works were completed. The product was tested and is fully functional. No claims as to product quality and/or installer's performance were encountered.

Owner _____
Signature / Name

Installer _____
Signature / Name

9. SERVICE RECORD

9.2 MAINTENANCE LOG

Type of job	Consumables used for the job: product, date of manufacture, serial number (example: cartridges, membrane)	Feed water temperature, °C	Feed water pressure	Sanitization performed, YES / NO	Tank fill duration, HH: MM	Recovery, %	Recommendations	Date of maintenance, DD: MM: YY	Servicing company name	Installer's name	Servicing company contact information	Signature

10. PERFORMANCE DATA

This system has been tested according to NSF/ANSI 58 for reduction of the substances listed below. The concentration of the indicated substances in water entering the system was reduced to a concentration less than or equal to the permissible limit for water leaving the system, as specified in NSF/ANSI 58.

Substance	Influent Challenge Concentration (mg/L)	Maximum permissible product water concentration mg/L
Arsenic (pentavalent)*	0.30 ± 10%	0.010
Barium*	10.0 ± 10%	2.0
Cadmium*	0.03 ± 10%	0.005
Copper*	3.0 ± 10%	1.3
Chromium (hexavalent and trivalent)*	0.3 ± 10% (hexavalent) 0.3 ± 10% (trivalent)	0.05 (hexavalent) and 0.05 (trivalent)
Fluoride*	8.0 ± 10%	1.5
Lead*	0.15 ± 10%	0.010
Radium 226/228*	25 pCi/L ± 10%	5 pCi/L
Selenium*	0.10 ± 10%	0.05
Turbidity*	11 ± 1 NTU	0.5 NTU

*Only systems with membrane TW30-1812-50, TW30-1812-75, CSV181250ECO are certified to these reduction claims.

Substance	Influent Challenge Concentration (mg/L)	Minimum Reduction %
TDS (total dissolved solids)	750 ± 40 mg/L	75%

10.1 ARSENIC FACTS

Occurrence and Forms of Arsenic in Water

Arsenic (As) is a naturally occurring contaminant found in many groundwater sources. It typically exists in two forms, also known as valences or oxidation states: pentavalent arsenic (As(V), As(+5), or arsenate) and trivalent arsenic (As(III), As(+3), or arsenite). In natural groundwater, arsenic may occur as trivalent arsenic, pentavalent arsenic, or a combination of both. Although both forms are harmful to human health, trivalent arsenic is generally considered more dangerous than pentavalent arsenic.

Determining Arsenic in Water and System Effectiveness

Consumers using public water supplies can contact their local utility to verify if free chlorine is being used in the water treatment process, which is important for converting trivalent arsenic to pentavalent arsenic. For private water supplies or waters without detectable free chlorine residuals, it is recommended to have the water tested to determine the form of arsenic present. In some cases, additional treatment may be necessary to oxidize trivalent arsenic to pentavalent arsenic for effective removal by the system.

10. PERFORMANCE DATA

Pentavalent Arsenic Removal Claims

Systems are specifically designed to remove pentavalent arsenic from water. It does not convert trivalent arsenic to pentavalent arsenic. Under lab testing conditions, the system was shown to reduce 0.30 mg/L of pentavalent arsenic to 0.010 mg/L (10 ppb) or less, meeting the USEPA standard for safe drinking water. The actual performance of the system may vary at your installation, and it is recommended to test the treated water regularly to ensure the system is functioning properly.

Conditions That May Affect Performance

The system's ability to remove pentavalent arsenic may vary depending on the specific water quality conditions at the installation site. For instance, the presence of iron or other impurities in the water may affect its performance.

Arsenic Removal Component and Maintenance

The Reverse Osmosis (RO) component of the TW30-1812-50, TW30-1812-75, CSV181250ECO, CSV181275ECO system is responsible for removing pentavalent arsenic. To maintain the system's effectiveness, the RO component must be replaced regularly, as specified in the user manual. The frequency of replacement and information on where to purchase replacement components can be found in the installation/operation manual.

11. ENVIRONMENTAL AND HEALTH SAFETY

The product does not have any chemical, radiological, electrochemical impact on the environment. The product is not regarded as hazardous by their impact on the human body, meets requirements of relevant sanitary legislation for its intended scope of use.

12. PURCHASING

Desirably, the product should be purchased from authorized sales establishments. When buying, check integrity of packaging, absence of mechanical damage and other defects, contents of the system (without opening the plastic bags), availability of user documentation, particularly this manual.

13. TRANSPORTATION AND STORAGE

Shipping of the product may take place by any means of transport (except unheated during cold seasons in colder climates) in accordance with the rules of transportation of goods, applicable to each type of transport. Observe handling labels when handling and shipping the product. Product should be stored indoors with protection from mechanical damage, impact of moisture and aggressive chemicals. Store this product in the manufacturer's original packaging at ambient temperatures ranging from 5 °C to 40 °C (from 41 °F to 104 °F) and relative humidity up to 80%, at least 1 m (3.3 ft) away from heating equipment.

14. WARNING

Dear User,

Before using your reverse osmosis system, please carefully review the following warnings and recommendations. Adhering to these instructions will not only ensure the correct operation of your system but also help you avoid serious issues that could result in equipment damage and loss of warranty coverage.

1. User Manual and Local Standards

Before installing and using the reverse osmosis system, carefully read the user manual, local plumbing standards, and regulations, and strictly follow all instructions. Proper adherence ensures safe and efficient system operation and prevents possible injuries or damages. It is recommended to consult qualified professionals for system installation and related tasks.

2. Pressure Protection

To ensure proper system operation, it is essential to protect it from high pressure and sudden pressure surges in the water supply network. A pressure regulator must be installed at the inlet. The absence of a pressure regulator may damage system components and void the warranty. The optimal operating pressure for the system is 3.5 bar (52.5 psi).

3. Maintenance Log

The manufacturer strongly recommends maintaining a technical maintenance log (Section 8) to record all performed activities, such as commissioning, cartridge replacement, membrane replacement, disinfection, and other procedures. This information is vital for technical specialists diagnosing your reverse osmosis system and may be required for warranty claims or troubleshooting.

4. Installation by Qualified Professionals

The system must be installed and commissioned exclusively by qualified specialists. It is designed solely for cold water purification.

5. Water Analysis

Before using the system, conduct an analysis of the incoming water at a certified laboratory to assess its quality and ensure compliance with the parameters (Section 2) necessary for the system's proper operation.

Requirements for water supplied to the reverse osmosis system:

Indicator	Value
pH	6.5–8.5
Mineralization	<1500 ppm
Hardness	<500 ppm CaCO ₃ (<28 °dH)
Free chlorine	<0.5 ppm
Iron	<0.3 ppm
Manganese	<0.1 ppm
Chemical oxygen demand	<5 ppm O ₂
Total bacterial count (TBC)	<50 CFU/mL
E. coli titer	<3

14. WARNING

6. Water Disinfection

Do not use the system to purify microbiologically unsafe water or water of unknown quality without proper prior disinfection.

7. Water Pressure Check

Water must be supplied to the system at a pressure recommended by the manufacturer (2–6 bar). The use of a pressure reducer is mandatory.

8. Leak Inspection

After installation, check the system for leaks, especially during the first two weeks of use. Perform periodic checks afterward.

9. Regular Cartridge Replacement and Maintenance

Pre-filter cartridges should be replaced at least every six months. Timely replacement helps prevent membrane damage and ensures effective system operation (Section 6).

10. Reverse Osmosis Membrane Replacement

To maintain consistent water quality, the reverse osmosis membrane must be replaced every 1–1.5 years. If the TDS level in the purified water exceeds 15 mg/L, this signals the need for membrane replacement and consultation with qualified service support (Section 6).

11. Disinfection After Extended Downtime

If the system has not been used for more than two weeks, disinfection and complete replacement of filter elements are required (Section 7).

12. Shutting Off Water Supply

In case of extended absence (more than two days), it is recommended to shut off the water supply to the system to prevent leaks or damage.

13. Limitation of Liability

The manufacturer is not responsible for any incidental or indirect damages caused by non-compliance with explicit or implied warranty conditions or any device defect. This includes damage to the device, loss of time, inconvenience, damage to personal property, loss of income, commercial losses, shipping costs, travel expenses, phone charges, or other similar damages.

14. Warranty Attention

Improper installation, the absence of a pressure regulator, untimely component replacement, or failure to follow instructions will result in warranty voidance.

Adhering to these recommendations will ensure the stable operation of your reverse osmosis system and protect you from unwanted issues.

15. WARRANTY

We are grateful that you purchased the reverse osmosis system manufactured by Ecosoft. We hope that our system will serve you for a long time and provide your family with the enjoyment of clean drinking water.

Warranty Period

The warranty period for the product is 12 months from the date of sale through the retail network (unless otherwise specified in the product warranty card).

Warranty Conditions

The manufacturer guarantees that this water purification system is free from manufacturing defects, and these defects will not appear during the warranty period, provided the system is installed and operated according to the technical requirements and operating conditions.

Important!

Before using the system, please carefully review:

- The installation and operation manual of the reverse osmosis system,
- The warranty terms,
- Check the accuracy of the warranty card and the availability of a document confirming the purchase (receipt, invoice, delivery note, commissioning report).

Warranty Card

The warranty card is valid only if:

- The model is correctly specified, the date of sale is indicated,
- Clear stamps of the selling company are present.

Manufacturer's Responsibility

The manufacturer is not responsible for any damages caused by a defect in the device resulting from the customer's compliance with the requirements of this manual or after the expiration of the warranty period.

Protection from High Pressure

To ensure proper operation of the system, protection from high pressure and sudden pressure changes in the water supply network is necessary.

It is required:

- A pressure regulator must be installed at the inlet,
- The optimal operating pressure for the system is 3.5 bar (52.5 psi).

Important!

The absence of a pressure regulator may lead to damage to the system components and void the warranty.

15. WARRANTY

Conditions for Loss of Warranty

Incorrect installation, absence of a pressure regulator, untimely replacement of components, non-compliance with water input requirements, or violation of instructions will result in the loss of warranty.

Warranty obligations do not cover:

- Damage caused by normal wear and tear,
- Breakdowns due to improper use,
- Damage caused by modifications, changes, or repairs made by the buyer or a third party,
- Consumables (cartridges, reverse osmosis membranes, post-carbon filter, remineralizer, and other replaceable elements), whose service life depends on water quality and operating conditions,
- Damage caused by external factors: pressure surges, temperature fluctuations, contamination, mechanical or chemical impacts,
- Electrical equipment without grounding or a voltage stabilizer in the network,
- Failure to comply with storage, transportation, or operation conditions,
- Failures and malfunctions due to untimely replacement of replaceable components or use of elements from other manufacturers.

Important!

Any claims regarding water quality, taste, and odor of water purified using this filter will only be accepted if supported by an analytical protocol conducted by an accredited laboratory.

Termination of Warranty Obligation

The warranty obligation is terminated:

- If the product is used for purposes other than its intended use,
- If the operating conditions specified in the passport and operation documents are not followed,
- If the product exceeds the specified technical norms for use (see item **2**),
- If safety rules, storage, or transportation conditions are violated,
- If the product has been repaired or tampered with by an unauthorized service center,
- If the pressure regulator is not installed before the system.

We recommend using the services of authorized service centers for installation and commissioning of the system. If you choose self-installation or installation by third-party service engineers, the warranty may be voided if:

- The system is incorrectly installed, resulting in improper operation or leakage of components,
- The system operates incorrectly due to violation of the sequence of actions during commissioning,
- The pressure regulator is missing before the system.

Following these recommendations will ensure the stable operation of your reverse osmosis system and protect you from unwanted problems.

15. WARRANTY

After performing warranty works, the supplier prepares and sends the customer a report listing the completed works and materials that do not require payment. The customer must sign the report and return one copy within 5 calendar days from the moment of receipt. If the report is not returned or no objections are raised within this period, the work and materials are considered accepted by the customer without comment.



WARNING!!!

In the case of self-installation of the system, the manufacturer is not responsible and does not accept any claims that may arise due to incorrect installation and improper operation of the system as a whole.

16. CERTIFICATES

Conformity certificate for the Ecosoft water treatment systems MO xxx

Confirms the conformity of the products with essential safety requirements of the EC New Approach Directives.

СЕРТИФІКАТИ ЕКОСОФТ



PRODUKT Z ATESTEM

Номер
В.ВК.60110.0920.2024
дійсний до: 12.08.2027

ЗМІСТ

1. Призначення системи	58
2. Характеристики та комплектація	60
2.1 Умовні позначення та коди моделей	60
2.2 Технічні характеристики	61
2.2.1 Міні редуктор тиску	61
2.2.2 Датчик протікання	62
2.3 Якість води	63
2.3.1 Вимоги до води, яка подається на систему зворотного осмосу	63
2.3.2 Склад води після мембрани зворотного осмосу	63
2.3.3 Мінеральний склад води після фільтру з мінералізатором	64
2.4 Комплектація системи зворотного осмосу	65
3. Схеми підключення	68
3.1 Схема підключення системи в базовій комплектації	68
3.2 Схема підключення системи з мінералізатором та подвійним краном	69
3.3 Схема підключення системи з мінералізатором і одинарним краном	70
3.4 Схема підключення системи з помпою (5 ступенів очищення)	71
3.4.1 Схема підключення систем з помпою (6 ступенів очищення)	72
3.5. Схема підключення системи PURE Balance	73
3.5.1 Схема підключення системи PURE Balance з помпою	74
3.6. Схема підключення системи PURE AquaCalcium	75
3.6.1 Схема підключення системи PURE AquaCalcium з помпою	76
3.7. Схема підключення системи PURE Alkafuse	77
3.7.1 Схема підключення системи PURE Alkafuse з помпою	78
4. Послідовність дій під час монтажу системи зворотного осмосу	79
4.1 Перевірка вхідних параметрів	79
4.2 Встановлення	80
4.2.1 Рекомендовані інструменти для встановлення	80
4.2.2 Послідовність дій під час монтажу	80
5. Послідовність дій після монтажу	84
6. Правила експлуатації	85
6.1 Призначення вузлів та їх заміна	88
6.2 Послідовність дій під час заміни картриджів попереднього очищення	90
6.3 Послідовність дій під час заміни мембрани	91
6.4 Послідовність дій під час заміни вугільного картриджа та/або мінералізатора	93
7. Дезінфекція систем зворотного осмосу	94
7.1 Дезінфекція накопичувального бака	96
8. Можливі несправності та способи їх усунення	98
9. Щоденник технічного обслуговування	101
9.1 Введення в експлуатацію	101
9.2 Технічне обслуговування	102
10. Дані про продуктивність	103
10.1 Факти про миш'як	103
11. Безпека здоров'я та навколишнього середовища	104
12. Правила купівлі	104
13. Транспортування та зберігання	105
14. Застереження	105
15. Гарантійні зобов'язання	107
16. Сертифіковані сервісні центри у вашому регіоні	110

1. ПРИЗНАЧЕННЯ СИСТЕМИ



Перед встановленням та використанням фільтра зворотного осмосу уважно ознайомтеся з цим посібником. Дотримання інструкцій забезпечить безпечну та ефективну роботу системи, а також допоможе уникнути можливих травм чи пошкоджень обладнання та майна.

Зворотний осмос на сьогодні є найбільш довершеною технологією очищення води. Завдяки спеціальній напівпроникній мембрані, подібній за своїми характеристиками до природної мембрани живої клітини, з'явилася можливість ефективно очищувати питну воду фактично від усіх шкідливих домішок, у тому числі вірусів та нітратів (Рисунок 1). Пори такої мембрани у 200 разів менше, ніж віруси, та у 4000 разів менше, ніж бактерії. Фільтри зворотного осмосу працюють за принципом обміну речовин у живому організмі на клітинному рівні. Через мембрану клітини можуть проникати лише молекули певного розміру. Поширені запитання деяких споживачів фільтрів зворотного осмосу щодо того, що така вода позбавлена всіх корисних для організму мікроелементів, не зовсім виправдані, оскільки 96% необхідних людині мінералів надходять з їжею, а не з водою.

Система зворотного осмосу являє собою п'ятиступеневу фільтраційну установку, яка працює за такою схемою (дивись пункт **2.4**). Фільтр підключається до водопроводу холодної води за допомогою вхідної муфти **4** та крана подачі води **5**. Червона трубка з'єднує кран подачі води з першою (крайньою справа) колбою модуля фільтрації.

Вхідна вода спочатку проходить через картриджі попереднього очищення **9**. Картриджі попереднього очищення призначені для видалення механічних домішок, таких як іржа, пісок, мул та інших, видалення з води залишкового хлору, органічних та хлорорганічних сполук.

Після попереднього очищення вода потрапляє на четвертий (та найголовніший) етап — зворотноосмотичну мембрану **11**, яка знаходиться у спеціальному корпусі. Корпус мембрани має вхід, який через відсічний клапан (авторегулятор) з'єднується з третьою (крайньою зліва) колбою модуля фільтрації, та два виходи: один для очищеної води (пермеату), а другий — для забрудненої води (концентрату). Мембрана очищає воду на молекулярному рівні, пропускаючи через свої пори лише молекули води та розчиненого кисню.

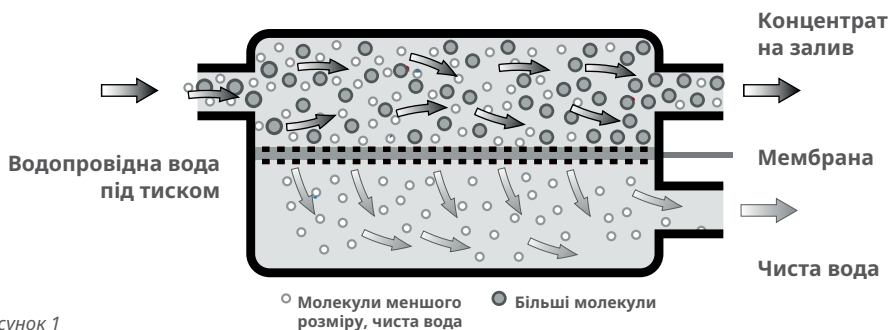


Рисунок 1

1. ПРИЗНАЧЕННЯ СИСТЕМИ

UA

Після мембрани потік води розділяється на дві частини — концентрат, який скидається у каналізацію, та пермеат, який потрапляє у накопичувальний бак **2** для зберігання. Бак з'єднується з виходом мембрани через авторегулятор та зворотний клапан, вбудований у перехідний фітинг, який вкручується у вихід корпусу мембрани. Після авторегулятора встановлюється трійник, через який бак підключається до модуля фільтрації за допомогою жовтої трубки. На верхньому патрубку бака встановлений кульовий кран бака **6**.

Бак у складі системи виконує функцію накопичування очищеної води, оскільки мембрана побутового зворотного осмосу в режимі прямого потоку не може забезпечити достатню для споживача продуктивність. Наприклад, якщо у фільтрі встановлена мембрана продуктивністю 50 GPD (7,9 л/год.), склянка об'ємом 200 мл наповнюватиметься більш ніж 1,5 хв. Тому система накопичує очищену воду у баку та надає її споживачеві за потреби, а потім знову формує запас води. Об'єм бака залежить від комплектації системи. Час наповнення бака може коливатися від 1,5 до 3 годин. Після наповнення бака авторегулятор перекриває подачу води через картриджі попереднього очищення на мембрану і система вимикається. Після відкриття крана для очищеної води **3** тиск у накопичувальному баку падає та авторегулятор автоматично відкриває подачу води через картриджі попереднього очищення для поновлення запасу води у баку. Брудна вода (концентрат) скидається у каналізацію через вихід корпусу мембрани, з'єднаний трубкою червоного кольору з дренажним хомутом **8**, який встановлюється на каналізаційній трубі. Для створення протитиску, необхідного для підтримання робочого тиску всередині мембрани, у дренажну лінію вже встановлений регулятор потоку **12**, який являє собою пластмасову втулку з каліброваним дросельним отвором. Регулятор потоку встановлюється у чорну трубку з боку підключення до корпусу мембрани.

З накопичувального бака очищена вода через трійник проходить на п'ятий етап очищення — вугільний постфільтр та/або мінералізатор, призначений для фінального очищення води. Вугільний постфільтр містить високоякісне активоване вугілля зі шкаралупи кокосових горіхів. Цей фільтр корегує смак та запах очищеної води, надаючи їй вишуканого солодкуватого присмаку. Вугільний постфільтр з'єднується за допомогою трубки синього кольору з краном очищеної води **3**, який встановлюється безпосередньо на мийці або кухонній стільниці.

Мінералізатор містить природну суміш мінералів Calcite та/або Corosex, а також може включати активоване вугілля залежно від моделі фільтра. Цей компонент фільтра збагачує воду кальцієм і/або магнієм, покращує її смак та сприяє здоров'ю.

2. ХАРАКТЕРИСТИКИ ТА КОМПЛЕКТАЦІЯ

2.1. УМОВНІ ПОЗНАЧЕННЯ ТА КОДИ МОДЕЛЕЙ

Моделі

MO 5 50 (75, 100)
MO 5 50 (75, 100) P
MO 6 50 (75, 100) M
MO 6 50 (75, 100) MAC
MO 6 50 (75, 100) MP

Модель вашої системи

MO X YYY ZZZZ AAA BBB

MO — Тип фільтра. MO — зворотний осмос

X — Кількість ступенів очищення

YYY — Продуктивності зворотноосмотичної мембрани в GPD (галонів на добу)*:

50GPD	190 літрів на добу	7,9 літрів на годину
75GPD	280 літрів на добу	11,6 літрів на годину
100GPD	380 літрів на добу	15,8 літрів на годину

* Продуктивність системи зворотного осмосу в цілому має змінний характер та залежить від ряду факторів, а саме: якості вхідної води; стану (зношеності, забиття) картриджів попереднього очищення та мембранного елемента; тиску води на вході, температури води, що подається на фільтр.

ZZZZ — Умовні позначення додаткової комплектації:

M	Система додатково оснащена мінералізатором
MAC	Система з технологією мінералізації PURE AquaCalcium
MBAL	Система з технологією мінералізації PURE Balance
ALK	Система з технологією мінералізації PURE Alkafuse
P	Система додатково оснащена помпою для підвищення тиску

AAA — Торгова марка

BBB — Мовна версія

S — Система розміщена на металевій станині

Наприклад: кодування MO575PSECO означає, що у комплекті системи зворотного осмосу з 5 ступенями очищення встановлена мембрана продуктивністю 75 галонів на добу (11,6 л/год.), з додаткових опцій включені: мінералізатор, та помпа для підвищення тиску. Торгова марка Ecosoft.

** Моделі, оснащені помпою для підвищення тиску (містять літеру "P" в моделі), призначені для підключення до однофазної електромережі змінного струму з напругою 230 В / 50 Гц.



Система укомплектована кабелем живлення з вилкою та може бути включена до встановленої належним чином розетки з заземленням, яка відповідає стандарту. ПЕРЕД ПРОВЕДЕННЯМ БУДЬ-ЯКИХ РОБІТ СИСТЕМУ ПОТРІБНО ВІДКЛЮЧИТИ ВІД ДЖЕРЕЛА ЖИВЛЕННЯ.



УВАГА!

Встановлення та запуск даної системи має виконуватися спеціалістом, який має відповідну кваліфікацію та необхідний досвід. Система призначена для очищення холодної води!

2. ХАРАКТЕРИСТИКИ ТА КОМПЛЕКТАЦІЯ

2.2. ТЕХНІЧНІ ХАРАКТЕРИСТИКИ

Найменування параметра	Значення
Тиск на вході для системи без помпи, бар	3–6*
Тиск на вході для системи з помпою, бар	2–4,5*
Тиск у мембранному баку, бар	0,4–0,6**
Температура вхідної води, °C	+4...+30***
Вага системи, кг (у базовій комплектації)	6
Припустима температура навколишнього середовища, °C	+5...+40***
Зовнішнє підключення до водопроводу, дюймів	Різьбове, 1/2", 3/8"
Габаритні розміри системи, В x Ш x Г (базова комплектація), мм	350x450x150
Габаритні розміри бака, В x Ш x Г, мм	350x260x260

* Якщо тиск у системі водопостачання нижчий за указане значення, необхідно вибрати систему з помпою або додатково встановити помпу. Якщо тиск у системі водопостачання вищий за вказане значення, необхідно встановити регулятор тиску на вході перед системою зворотного осмосу.

** Якщо тиск вищий або нижчий, ніж указаний, необхідно підкачати або «стравити» тиск.

*** Якщо температура вхідної води визначається у діапазоні +20...+30 °C, незначним чином знижується селективність мембрани та збільшується продуктивність, що спричиняє незначне збільшення показника TDS. Використання системи у випадках коли температура вхідної води перевищує +30 °C — не рекомендовано.



Систему зворотного осмосу необхідно захистити від високого тиску та різких перепадів тиску, які можуть виникати через особливості місцевої системи водопостачання. На вході системи обов'язково має бути встановлений регулятор тиску.

Оптимальний робочий тиск для системи становить 3,5 бар (52,5 psi) — регулятор тиску налаштований виробником на цей параметр. Відсутність регулятора тиску може призвести до пошкодження компонентів, що працюють під тиском, і до втрати гарантії.

2.2.1 МІНІ РЕДУКТОР ТИСКУ (5 бар)

Для стабільної роботи системи зворотного осмосу та захисту мембрани від надмірного тиску у водопровідній мережі фільтр комплектується міні редуктором тиску (фільтри зворотного осмосу комплектуються міні редуктором тиску починаючи з дати виробництва 01.01.2026 року).

Технічні характеристики редуктора тиску:

- Обмеження тиску: 5 бар (≈ 72 psi)
- Пропускна здатність: 7,5 л/хв при 100 psi
- Максимальний вхідний тиск: 16 бар (230 psi)
- Максимальна температура води: 40 °C
- Підключення: швидкознімні фітинги 1/4"

2. ХАРАКТЕРИСТИКИ ТА КОМПЛЕКТАЦІЯ

Принцип роботи:

Редуктор автоматично знижує вхідний тиск до безпечного рівня (близько 4,5–5,0 бар), при збільшенні вхідного тиску до 16 бар вихідний тиск залишається стабільним у межах 4,8–5,5 бар.

Місце встановлення:

Монтується на вхідному шлангу системи між караном подачі води на фільтр зворотного осмосу та датчиком протікання. Стрілка на корпусі вказує напрямок потоку води.

Увага!

Всі системи зворотного осмосу, що вказані в даному мануалі, комплектуються міні редуктором тиску починаючи з дати виробництва 01.01.2026 року.

2.2.2 ДАТЧИК ПРОТІКАННЯ

Для додаткового захисту від затоплення приміщення система зворотного осмосу комплектується механічним датчиком протікання.

Фільтри зворотного осмосу комплектуються датчиком протікання починаючи з дати виробництва 01.01.2026 року.

Технічні характеристики датчика протікання:

- Тип: поршневий клапан з поглинаючим елементом
- Робочий тиск: 2–4 бар
- Максимальний тиск: до 6 бар
- Підключення: швидкознімні фітинги 1/4"
- Матеріал: харчовий пластик

Принцип роботи:

Датчик протікання — це поршневий клапан, який автоматично перекидає воду при виявленні протікання.

- Під тиском води (2–4 бар) клапан залишається закритим, оскільки поршень утримується силою тиску.
- Коли тиск на вході зникає, пружина відкриває клапан, і вода може знову проходити.
- При намоканні бавовняний спонж розширюється і механічно блокує подачу води.

Місце встановлення:

Датчик встановлюється на вхідному шлангу фільтру між редуктором тиску фільтром зворотного осмосу, у горизонтальному положенні на рівній поверхні під системою.

Що робити, якщо датчик спрацював:

1. Перевірте джерело протікання — знайдіть і усуньте причину.
2. Скиньте тиск води — перекрийте подачу води перед клапаном та скиньте тиск у системі.
3. Перевірте клапан — якщо він не відкрився автоматично, натисніть на контрольний шток вручну, щоб зрушити поршень.
4. Відновіть подачу води — після усунення проблеми, заміни бавовняного спонжа та відкриття клапана.

2. ХАРАКТЕРИСТИКИ ТА КОМПЛЕКТАЦІЯ

Увага!

Всі системи зворотного осмосу, що вказані в даному мануалі, комплектуються датчиком протікання починаючи з дати виробництва 01.01.2026 року.

2.3. ЯКІСТЬ ВОДИ

2.3.1. ВИМОГИ ДО ВОДИ, ЯКА ПОДАЄТЬСЯ НА СИСТЕМУ ЗВОРОТНОГО ОСМОСУ*

Найменування показника	Значення**
рН	6,5–8,5
Мінералізація, мг/л	<1500
Твердість, мг-екв/л	<10,0
Вільний хлор, мг/л	<0,5
Залізо, мг/л	<0,3
Марганець, мг/л	<0,1
Перманганатна окиснюваність, мг O ₂ /л	<5
Загальне мікробне число (ЗМЧ), КУО/мл	<50
Coli-індекс, КУО/100 мл	<3

* Якщо показники води, що подається на систему, не відповідають указаним вимогам, строк служби мембрани та картриджів може зменшитися.

** Перед встановленням фільтра обов'язково проведіть аналіз водопровідної води в сертифікованій лабораторії. Це дозволить визначити її якість та відповідність параметрам, рекомендованим для коректної роботи системи.

2.3.2. СКЛАД ВОДИ ПІСЛЯ МЕМБРАНИ ЗВОРОТНОГО ОСМОСУ*

Найменування показника	Значення
рН	5,5–6,5
Мінералізація, мг/л	5-15
Кальцій, мг/л	<2
Магній, мг/л	<1
Натрій + Калій, мг/л	<5

* Показники визначено за наступних умов: температура вхідної води 25°C, склад вхідної води і параметри роботи фільтру відповідають рекомендованим виробником.

2. ХАРАКТЕРИСТИКИ ТА КОМПЛЕКТАЦІЯ

2.3.3. МІНЕРАЛЬНИЙ СКЛАД ВОДИ ПІСЛЯ ФІЛЬТРУ З МІНЕРАЛІЗАТОРОМ*

Найменування показника	Мінералізатор Ecosoft	AquaCalcium	Pure Balance	Pure Alkafuse
рН	6,5–7,5	7–7,5	7–8,5	>8,5***
Мінералізація, мг/л	20–30**	55–65**	60–80	60–120
Кальцій, мг/л	<10,0	10–15	10–15	5–15
Магній, мг/л	—	—	4–6	5–15



Зверніть увагу!

Зміни смаку та запаху очищеної води після заміни вугільного постфільтра та мінералізатора пов'язані з максимальною ємністю фільтрувального матеріалу на початку ресурсу картриджів. Протягом експлуатації картриджів мінералізація та органолептичні показники води поступово знижуються.

Дотримуйтесь регламенту сервісного обслуговування вашого фільтра для забезпечення стабільної якості очищеної води.

* Показники визначено за наступних умов: температура вхідної води 20°C, склад вхідної води і параметри роботи фільтра відповідають рекомендованим виробником, інтенсивність споживання води — сім'я з трьох осіб. При зниженні температури вхідної води в зимовий період вміст мінералів в очищеній воді може бути меншим, а при підвищенні температури в літній період — вищим.

** Після простою фільтра понад годину вміст мінералів в першій склянці очищеної води у вигляді мутності, може бути вищим вказаних значень, оскільки за цей період може розчинитись більша кількість мінералів. Це нормально і не погіршує якість очищеної води.



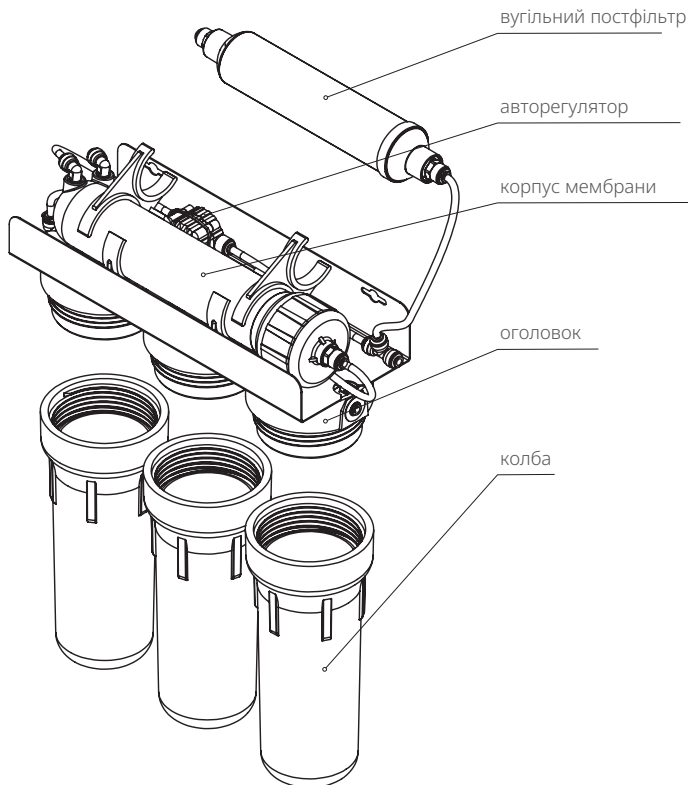
***** Перед споживанням води з рівнем рН>8,5 проконсультуйтеся з лікарем.**

2. ХАРАКТЕРИСТИКИ ТА КОМПЛЕКТАЦІЯ

2.4. КОМПЛЕКТАЦІЯ СИСТЕМИ ЗВОРОТНОГО ОСМОСУ

Виробник залишає за собою право внесення змін у конструкцію/комплектацію виробу, у випадку якщо ці зміни не спричиняють погіршення споживчих властивостей виробу.

1) Модуль фільтрації



Опції:

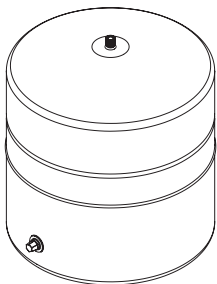


* В залежності від вашої комплектації.

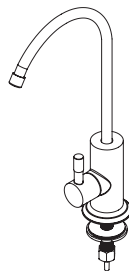
2. ХАРАКТЕРИСТИКИ ТА КОМПЛЕКТАЦІЯ

2.4. КОМПЛЕКТАЦІЯ СИСТЕМИ ЗВОРОТНОГО ОСМОСУ

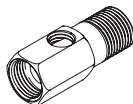
2) Накопичувальний бак



3) Кран для очищеної води



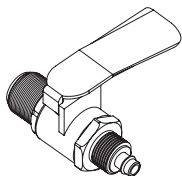
4) Вхідна муфта 1/2"



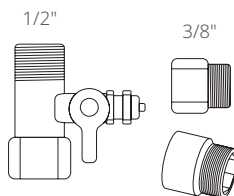
4.1) Вхідна муфта 3/8"



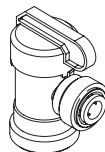
5) Кран подачі води



5.1) Кран подачі води**



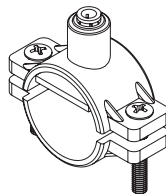
6) Кульовий кран бака



7) Комплект кольорових трубок*



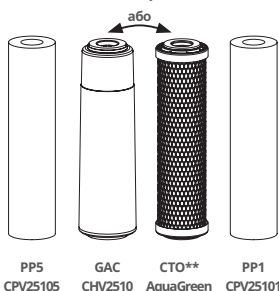
8) Дренажний хомут



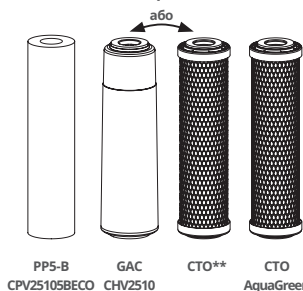
2. ХАРАКТЕРИСТИКИ ТА КОМПЛЕКТАЦІЯ

9) Комплект картриджів попереднього очищення (залежить від моделі системи)

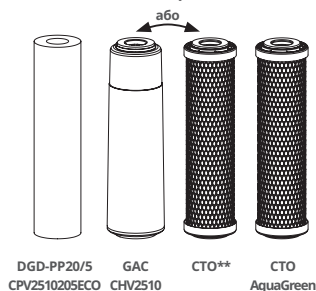
9.1) Для серії Standard



9.2) Для серії Absolute

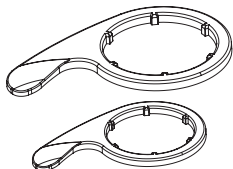


9.3) Для серії PURE

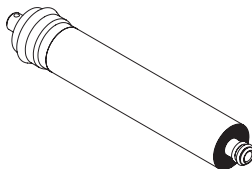


UA

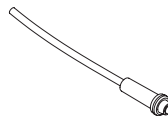
10) Ключі для корпусів префільтрів та мембрани



11) Зворотноосмотична мембрана



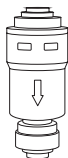
12) Регулятор потоку (вставлений у трубку чорного кольору)



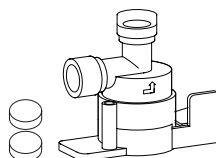
13) Стопорна кліпса: аксесуар, змонтований у модулі фільтрації, який служить для захисту від можливого від'єднання трубки у легко доступних місцях. Наявність кліпси не впливає на герметичність з'єднання. Кількість кліпс у виробі може змінюватися залежно від конструкції системи зворотного осмосу, що не впливає на працездатність.



14) Редуктор тиску**



15) Датчик протікання**



* Комплектація комплекту трубок може відрізнятися від зображеної.

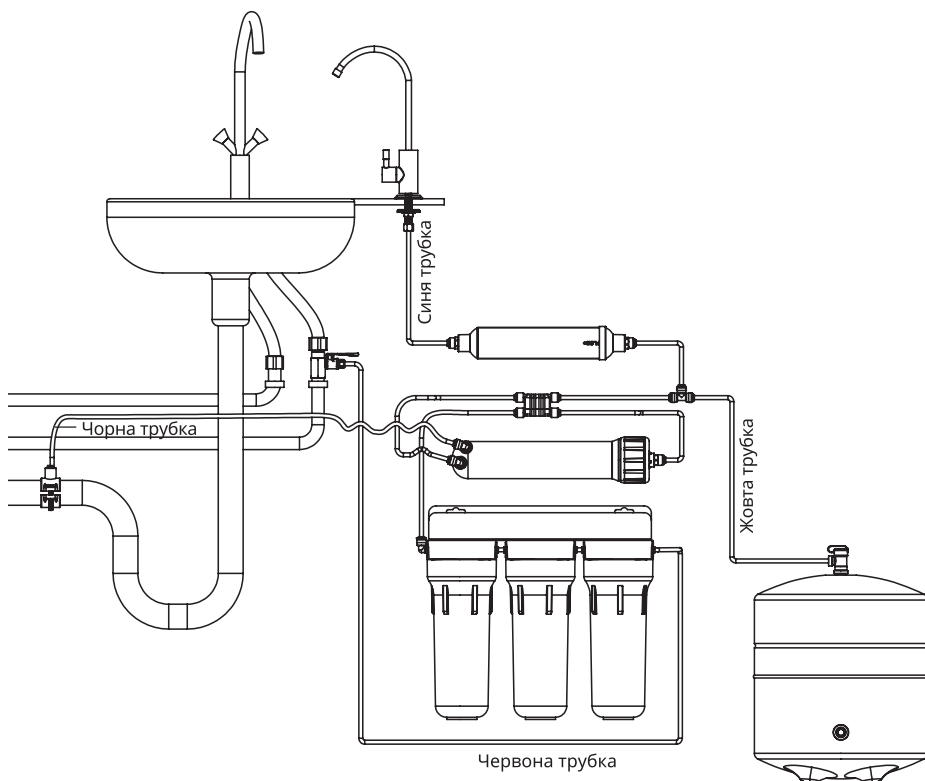
У фільтрах зворотного осмосу, вироблених після 19.03.2025, боковий фітінг приєднано до червоної трубки. Під час монтажу фільтра зворотного осмосу підключіть його замість червоної заглушки.

**Додано в комплектацію фільтрів зворотного осмосу з дати виготовлення 01.01.2026.

3. СХЕМИ ПІДКЛЮЧЕННЯ

3.1. СХЕМА ПІДКЛЮЧЕННЯ СИСТЕМИ В БАЗОВІЙ КОМПЛЕКТАЦІЇ

Перед початком підключення ознайомтесь з наступною схемою підключення, що відповідає моделі вашого фільтра.



Моделі

МО 5 50

МО 5 50 М

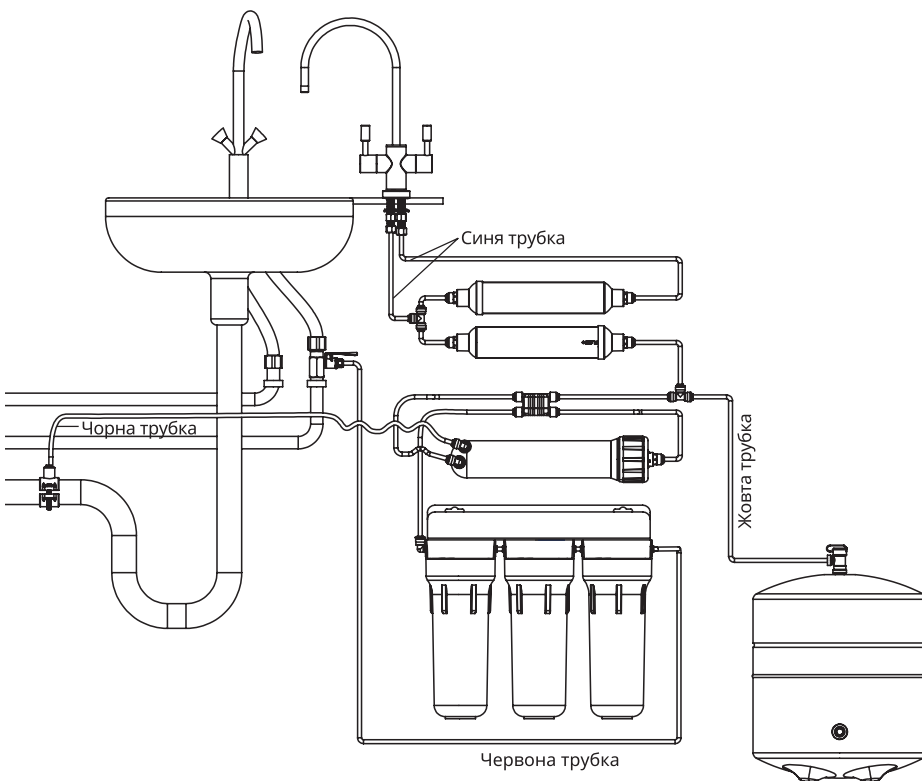
МО 5 75

МО 5 100

Виробник залишає за собою право внесення змін у конструкцію/комплектацію виробу, у випадку якщо ці зміни не спричиняють погіршення споживчих властивостей виробу.

3. СХЕМИ ПІДКЛЮЧЕННЯ

3.2. СХЕМА ПІДКЛЮЧЕННЯ СИСТЕМИ З МІНЕРАЛІЗАТОРОМ ТА ПОДВІЙНИМ КРАНОМ



Моделі

МО 6 50 М

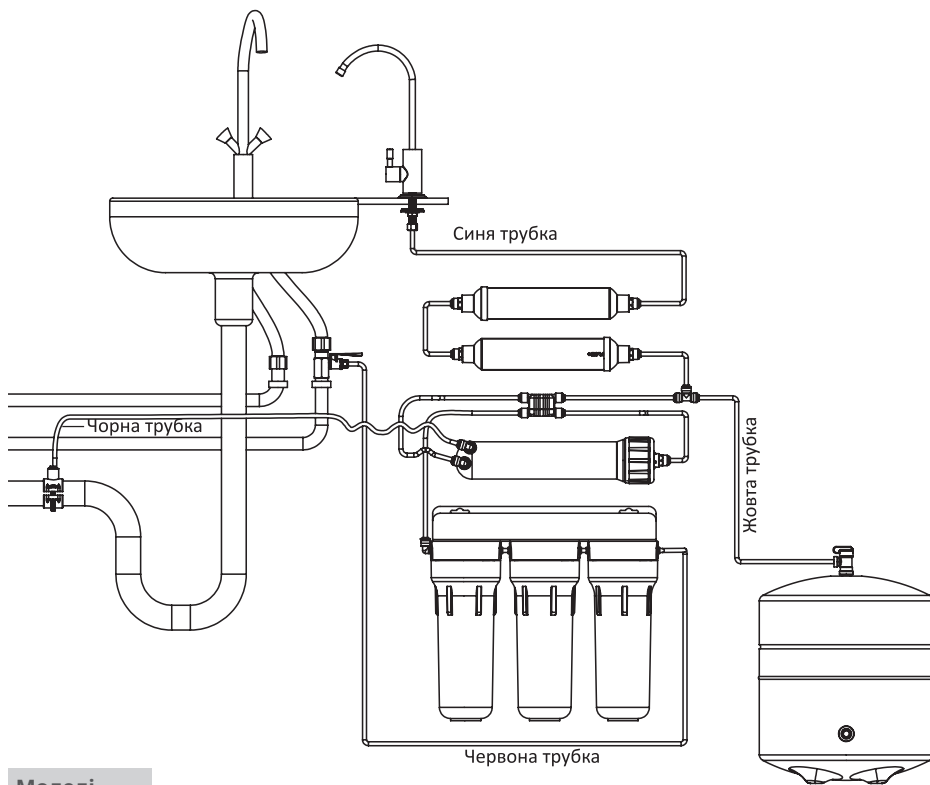
МО 6 75 М

МО 6 100 М

Виробник залишає за собою право внесення змін у конструкцію/комплектацію виробу, у випадку якщо ці зміни не спричиняють погіршення споживчих властивостей виробу.

3. СХЕМИ ПІДКЛЮЧЕННЯ

3.3. СХЕМА ПІДКЛЮЧЕННЯ СИСТЕМИ З МІНЕРАЛІЗАТОРОМ І ОДИНАРНИМ КРАНОМ



Моделі

МО 6 50 М

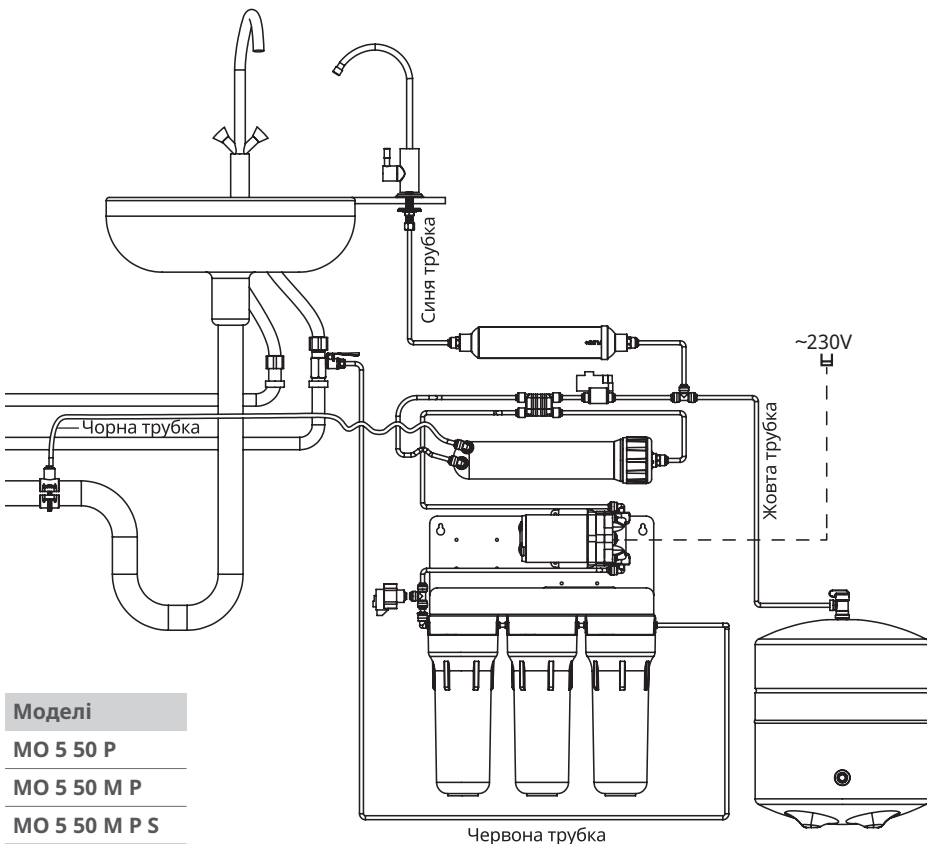
МО 6 75 М

МО 6 100 М

Виробник залишає за собою право внесення змін у конструкцію/комплектацію виробу, у випадку якщо ці зміни не спричиняють погіршення споживчих властивостей виробу.

3. СХЕМИ ПІДКЛЮЧЕННЯ

3.4. СХЕМА ПІДКЛЮЧЕННЯ СИСТЕМИ З ПОМПОЮ (5 СТУПЕНІВ ОЧИЩЕННЯ)



UA

Моделі

МО 5 50 P

МО 5 50 M P

МО 5 50 M P S

МО 5 75 P

МО 5 75 M P

МО 5 75 M P S

МО 5 100 P

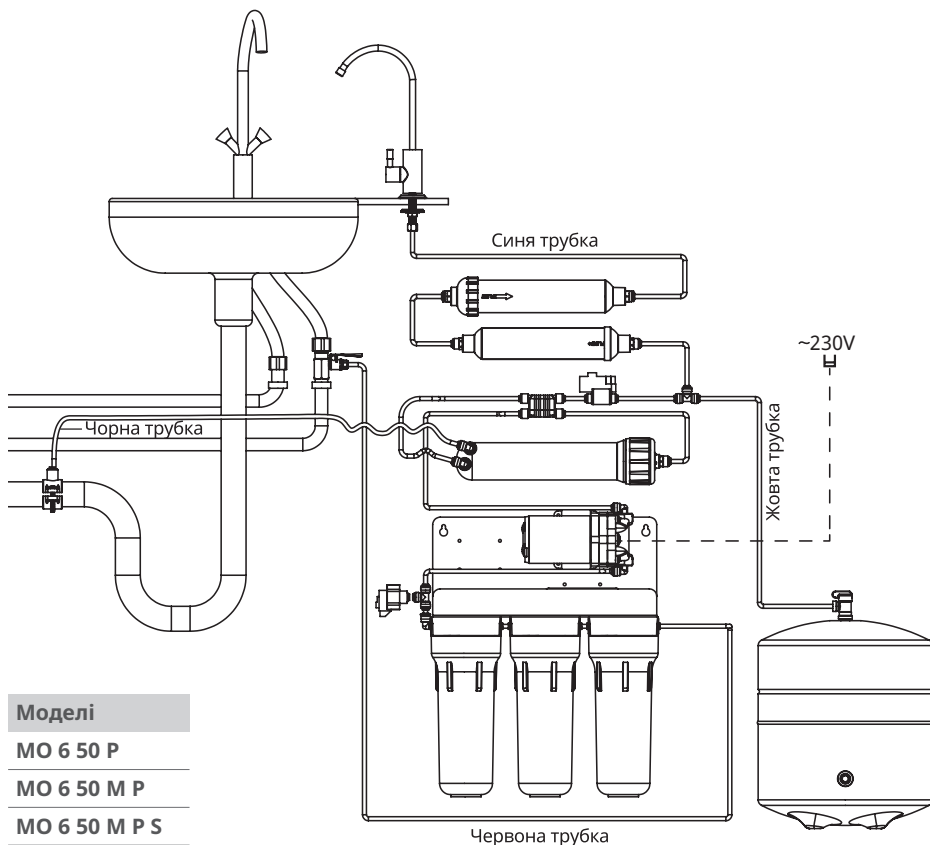
МО 5 100 M P

МО 5 100 M P S

Виробник залишає за собою право внесення змін у конструкцію/комплектацію виробу, у випадку якщо ці зміни не спричиняють погіршення споживчих властивостей виробу.

3. СХЕМИ ПІДКЛЮЧЕННЯ

3.4.1 СХЕМА ПІДКЛЮЧЕННЯ СИСТЕМ З ПОМПЮЮ (6 СТУПЕНІВ ОЧИЩЕННЯ)



Моделі

МО 6 50 P

МО 6 50 M P

МО 6 50 M P S

МО 6 75 P

МО 6 75 M P

МО 6 75 M P S

МО 6 100 P

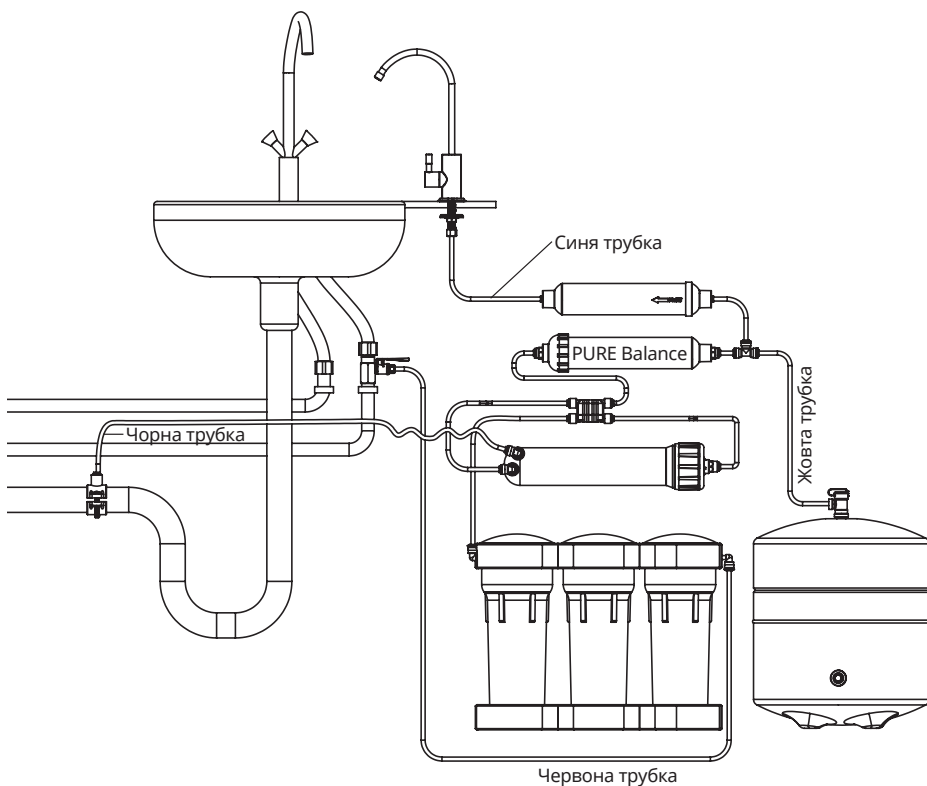
МО 6 100 M P

МО 6 100 M P S

Виробник залишає за собою право внесення змін у конструкцію/комплектацію виробу, у випадку якщо ці зміни не спричиняють погіршення споживчих властивостей виробу.

3. СХЕМИ ПІДКЛЮЧЕННЯ

3.5. СХЕМА ПІДКЛЮЧЕННЯ СИСТЕМИ PURE BALANCE



Моделі

МО 6 50 M BAL

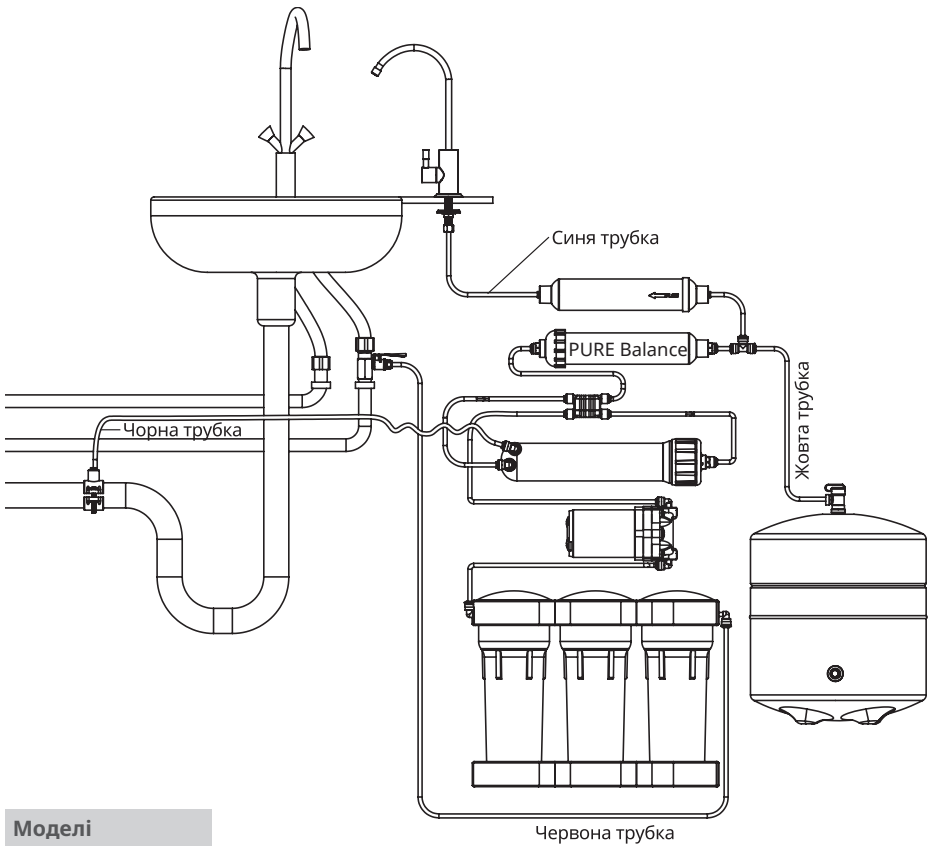
МО 6 75 M BAL

МО 6 100 M BAL

Виробник залишає за собою право внесення змін у конструкцію/комплектацію виробу, у випадку якщо ці зміни не спричиняють погіршення споживчих властивостей виробу.

3. СХЕМИ ПІДКЛЮЧЕННЯ

3.5.1 СХЕМА ПІДКЛЮЧЕННЯ СИСТЕМИ PURE BALANCE З ПОМПЮ



Моделі

МО 6 50 М Р ВАL

МО 6 75 М Р ВАL

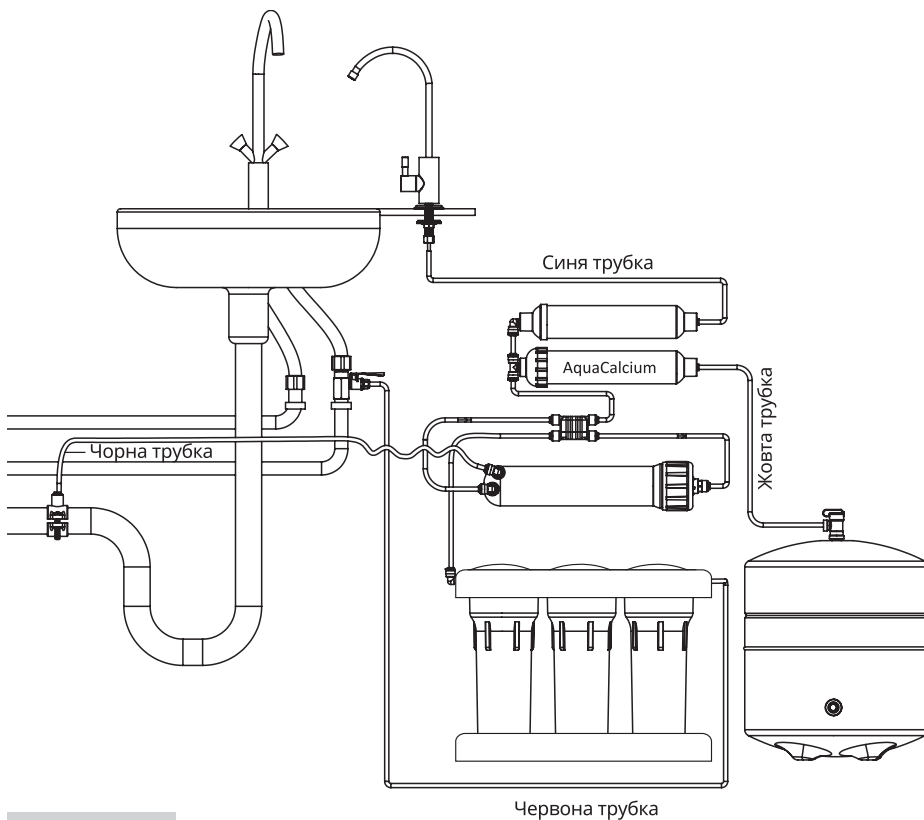
МО 6 100 М Р ВАL

Виробник залишає за собою право внесення змін у конструкцію/комплектацію виробу, у випадку якщо ці зміни не спричиняють погіршення споживчих властивостей виробу.

3. СХЕМИ ПІДКЛЮЧЕННЯ

3.6. СХЕМА ПІДКЛЮЧЕННЯ СИСТЕМИ PURE AQUACALCIUM

UA



Моделі

МО 6 50 МАС

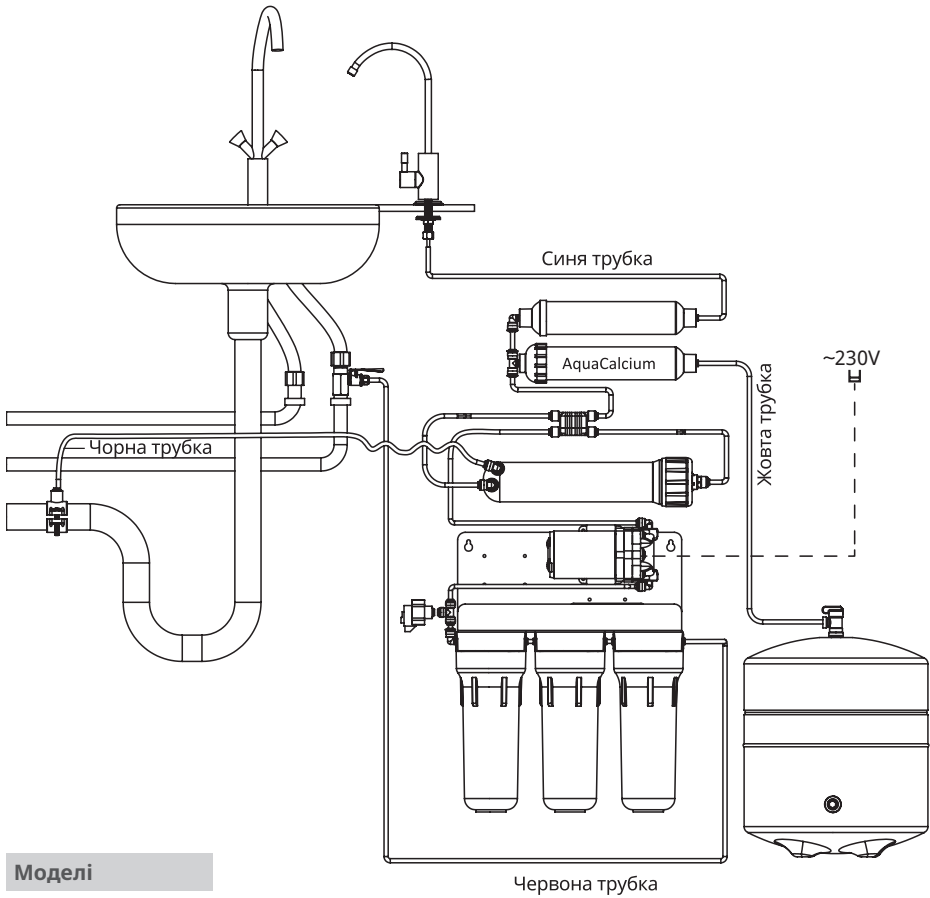
МО 6 75 МАС

МО 6 100 МАС

Виробник залишає за собою право внесення змін у конструкцію/комплектацію виробу, у випадку якщо ці зміни не спричиняють погіршення споживчих властивостей виробу.

3. СХЕМИ ПІДКЛЮЧЕННЯ

3.6.1 СХЕМА ПІДКЛЮЧЕННЯ СИСТЕМИ PURE AQUACALCIUM З ПОМПОЮ



Моделі

МО 6 50 МАС P S

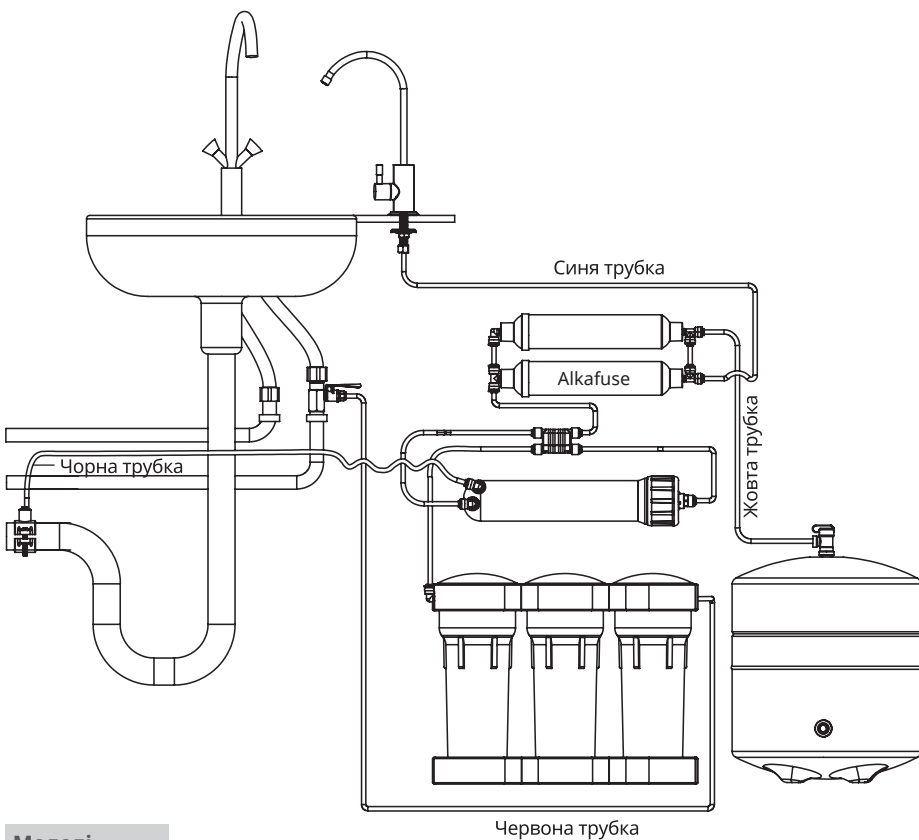
МО 6 75 МАС P S

МО 6 100 МАС P S

Виробник залишає за собою право внесення змін у конструкцію/комплектацію виробу, у випадку якщо ці зміни не спричиняють погіршення споживчих властивостей виробу.

3. СХЕМИ ПІДКЛЮЧЕННЯ

3.7. СХЕМА ПІДКЛЮЧЕННЯ СИСТЕМИ PURE ALKAFUSE



Моделі

МО 6 50 ALC

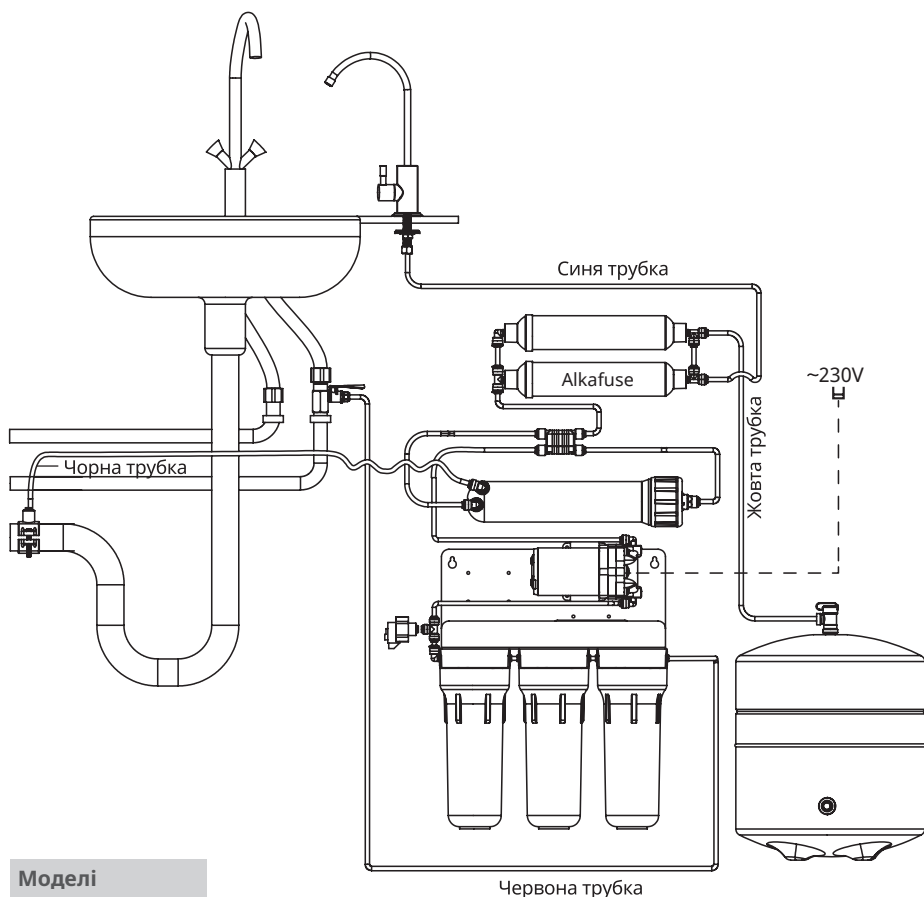
МО 6 75 ALC

МО 6 100 ALC

Виробник залишає за собою право внесення змін у конструкцію/комплектацію виробу, у випадку якщо ці зміни не спричиняють погіршення споживчих властивостей виробу.

3. СХЕМИ ПІДКЛЮЧЕННЯ

3.7.1 СХЕМА ПІДКЛЮЧЕННЯ СИСТЕМИ PURE ALKAFUSE З ПОМПЮ



Моделі

МО 6 50 ALK P S

МО 6 75 ALK P S

МО 6 100 ALK P S

Виробник залишає за собою право внесення змін у конструкцію/комплектацію виробу, у випадку якщо ці зміни не спричиняють погіршення споживчих властивостей виробу.

4. ПОСЛІДОВНІСТЬ ДІЙ ПІД ЧАС МОНТАЖУ СИСТЕМИ ЗВОРОТНОГО ОСМОСУ



Перед встановленням системи зворотного осмосу необхідно уважно ознайомитися з даною інструкцією.



Ця система має бути встановлена відповідно до місцевих норм та правил.



Система призначена для очищення холодної води!

UA

4.1. ПЕРЕВІРКА ВХІДНИХ ПАРАМЕТРІВ

1) Перевірте наявність та відповідність усіх комплектуючих. Не можна розкривати прозорий пакет, в який упаковані деталі, до перевірки, оскільки виробник не приймає претензії щодо некомплектності у випадку якщо пакет розпечатаний.

2) Необхідно перевірити відповідність:

Тиск на вході*	Тиск у мембранному баку*	Температура вхідної води*
Перевірте тиск на вході перед системою зворотного осмосу. Тиск перед системою має відповідати вказаному у пункті 2.2.	Перевірте тиск у мембранному баку. Тиск у мембранному баку має відповідати вказаному у пункті 2.2.	Необхідно перевірити температуру вхідної води. Температура вхідної води має відповідати вказаній у пункті 2.2.

*Якщо параметри вхідної води не відповідають вимогам, необхідно вжити заходів, указаних у пункті 2.2.

— технічних вимог (пункт 2.2);

— якості води**, що подається на систему зворотного осмосу (пункт 2.3).

**Якщо показники якості води, що подається на систему, не відповідають указаним вимогам, необхідно звернутися до компанії, які займаються водопідготовкою.

3) Систему зворотного осмосу необхідно захистити від високого тиску та різких перепадів тиску, які можуть виникати через особливості місцевої системи водопостачання. На вході системи обов'язково має бути встановлений регулятор тиску.

Оптимальний робочий тиск для системи становить 3,5 бар (52,5 psi) регулятор тиску налаштований виробником на цей параметр. Відсутність регулятора тиску може призвести до пошкодження компонентів, що працюють під тиском, і до втрати гарантії.

4) Перед встановленням системи необхідно підготувати місце під мийкою. Подбайте про те, щоби було достатньо місця для системи та накопичувального бака. У випадку нестачі місця під мийкою допускається встановлення системи окремо від накопичувального бака на відстані довжини з'єднувальної трубки.

5) Перед підключенням спеціаліст у щоденнику введення в експлуатацію (пункт 9.1) обов'язково має зафіксувати дату, тиск на вході, температуру води та наявність аналізу вхідної води. Ця інформація необхідна для контролю за умовами експлуатації системи, що забезпечить правильне налаштування і максимальну ефективність фільтрації. Після монтажу слід зафіксувати час наповнення бака та конверсію. Це допоможе оцінити ефективність

4. ПОСЛІДОВНІСТЬ ДІЙ ПІД ЧАС МОНТАЖУ СИСТЕМИ ЗВОРОТНОГО ОСМОСУ

роботи системи та забезпечить своєчасне виявлення будь-яких відхилень від норми, що можуть вплинути на продуктивність.

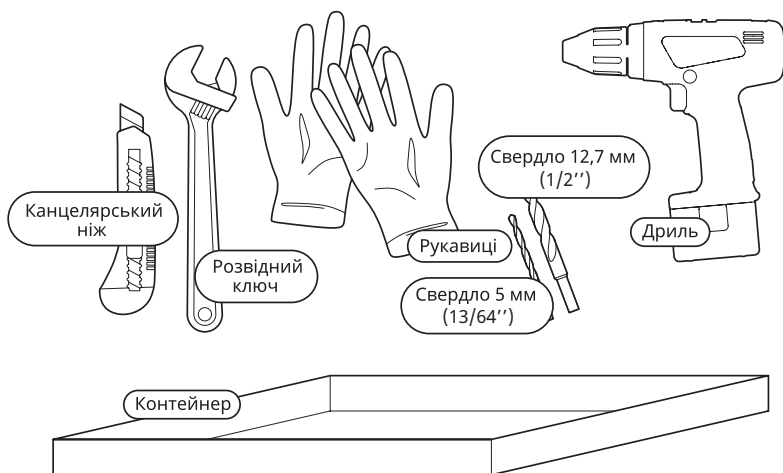
б) Підключіть систему відповідно до рекомендацій даної інструкції.

4.2. ВСТАНОВЛЕННЯ



УВАГА!!! Дана система перевірена виробником на відсутність протікань, тому всередині системи припустима наявність залишків води. Перед монтажем водопровідних трубок, картриджів, мембрани необхідно ретельно вимити руки з дезінфікуючим милом. Встановлювати дану систему у місцях, захищених від прямих сонячних променів, подалі від нагрівальних приладів.

4.2.1 Рекомендовані інструменти для встановлення



Не дозволяйте дітям віком до 3 років контактувати з дрібними деталями під час встановлення або обслуговування пристрою. Уникайте доступу дітей до системи фільтрації та її компонентів без нагляду дорослих.

4.2.2 Послідовність дій під час монтажу

1.	Дістаньте систему зворотного осмосу з упаковки та перевірте комплектацію. Не розкривайте пакет з комплектуючими. Будьте уважні, виробник не приймає претензій щодо некомплектності, у випадку якщо пакет розпечатаний
2.	Перекрийте вентиль холодної води на вході у квартиру/дім та відкрийте водопровідний кран у місці встановлення фільтра (на мийці), щоби скинути тиск у системі, після чого закрийте кран.

4. ПОСЛІДОВНІСТЬ ДІЙ ПІД ЧАС МОНТАЖУ СИСТЕМИ ЗВОРОТНОГО ОСМОСУ

UA

3. Вкрутіть вхідну муфту **4** у магістраль холодної води. Вкрутіть кран подачі води **5** у вхідну муфту **4**. Щоби уникнути можливого протікання води, необхідно використовувати для ущільнення фторопластову стрічку.

Розмір підключень розрахований на найбільш розповсюджений розмір трубопроводу — 1/2" та 3/8". Якщо трубопровід вашого приміщення має інші розміри, підготуйте відповідні перехідники.

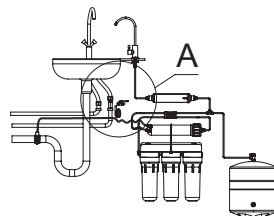


Рис. А1

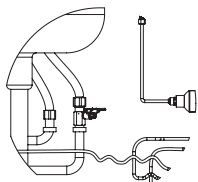


Рис. А2

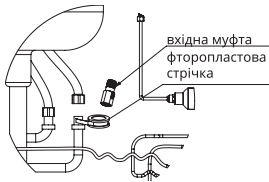
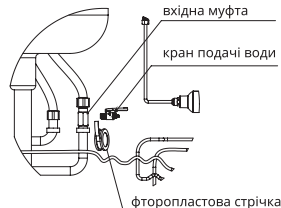
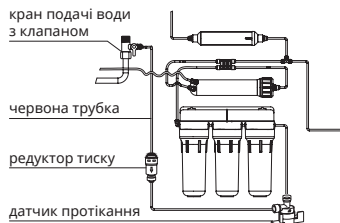


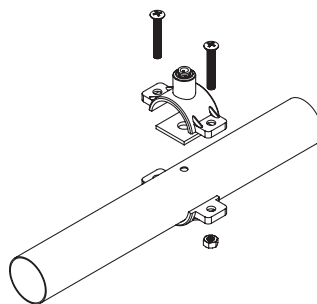
Рис. А3



4. Відкрутіть накидну гайку зі штуцера крана подачі води **5** та надіньте її на червону трубку. Щільно натягніть червону трубку на штуцер крана подачі води **5** та закрутіть накидну гайку. Другий кінець червоної трубки вже приєднано до бокового фітинга. Приєднайте фітинг до першої (крайньої праворуч) колби модуля фільтрації замість червоної заглушки. Від крана вхідної води вздовж червоної трубки першим елементом встановлюється міні редуктор тиску*. Орієнтуйте редуктор тиску* за стрілкою на корпусі (напрямок потоку води). Після редуктора встановіть датчик протікання*. Вихід датчика протікання за допомогою червоної трубки підключіть до фільтра зворотного осмосу. Встановіть датчик протікання* строго горизонтально на рівній поверхні під системою, щоб поглинаючий елемент міг працювати правильно.

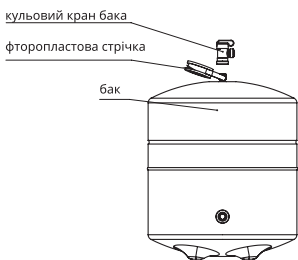

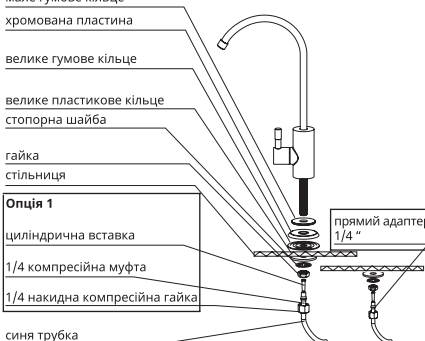
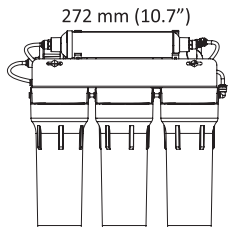


5. З'єднайте дренажний хомут **8** з дренажним сифоном вашої мийки. Дренажний хомут підходить до більшості стандартних каналізаційних труб. Просвердліть на дренажній трубці вашої мийки отвір діаметром 5,0 мм, на який покладіть ущільнювач з клейкою основою (входить до комплекту). Встановіть дренажний хомут **8** так, щоби отвір на дренажній трубці збігався з отвором (фітингом) на дренажі. За допомогою викрутки затягніть гвинти дренажного хомута. Візьміть трубку чорного кольору, вставте її у фітинг дренажного хомута. Другий кінець чорної трубки з'єднайте зі швидкорознімним фітингом корпусу мембрани.
ВАЖЛИВО!!! Перевірте наявність регулятора потоку **12**, який має бути встановлений у чорну трубку з боку підключення до корпусу мембрани.



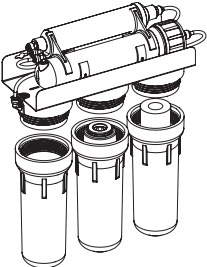
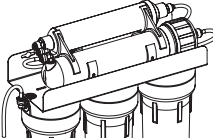
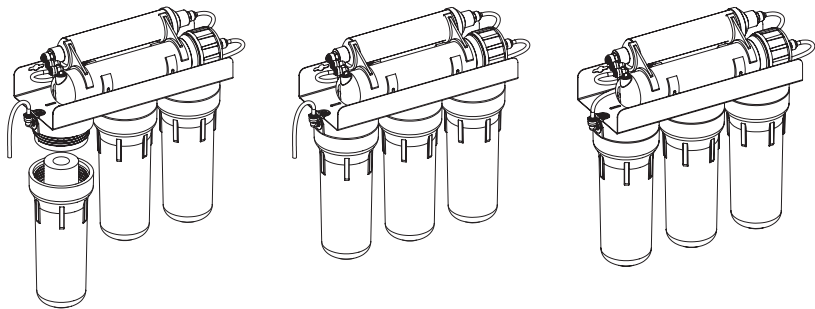
*Додано в комплектацію фільтрів зворотного осмосу з дати виготовлення 01.01.2026.

4. ПОСЛІДОВНІСТЬ ДІЙ ПІД ЧАС МОНТАЖУ СИСТЕМИ ЗВОРОТНОГО ОСМОСУ

6.	<p>На різьбову частину бака 2 щільно намотайте фторопластову стрічку та накрутіть кульовий кран бака 6.</p> <p>Тиск баку повинен бути на рівні 0,4–0,6 бар. За необхідності збільшіть тиск насосом з манометром. За необхідності зменшити тиск — скиньте його натисненням ніпеля бака.</p>	 <p>кульовий кран бака фторопластова стрічка бак</p>
7.	Підключення крана для очищеної води	
7.1	<p> Якщо у вашій мийці відсутній отвір для крана чистої води, його необхідно просвердлити.</p> <p>Для встановлення крана для очищеної води 3 просвердліть отвір діаметром 12,5 мм у зручному для вас місці на мийці або кухонній стільниці.</p> <p>УВАГА!!! Металева стружка може пошкодити вашу мийку, тому необхідно прибрати її одразу ж після того як ви просвердлили отвір. Якщо поверхня для встановлення керамічна або кам'яна, вам може знадобитися спеціальне твердосплавне свердло.</p>	
7.2	Зберіть кран на стільниці або мийці. При цьому гайка, стопорна шайба та велике пластикове кільце повинні притиснути кран до стільниці.	 <p>мале гумове кільце хромована пластина велике гумове кільце велике пластикове кільце стопорна шайба гайка стільниця Опція 1 циліндрична вставка 1/4 компресійна муфта 1/4 накидна компресійна гайка синя трубка прямий адаптер 1/4"</p> <p>Виберіть свій варіант повного набору підключення фасетки</p>
7.3	Візьміть синю трубку, надіньте на неї послідовно накидку компресійну гайку та компресійну муфту, після чого вставте циліндричну вставку у трубку.	
7.4	Накрутіть накидку компресійну гайку на штуцер встановленого крана, спрямувавши трубку у середину штуцера, притискаючи компресійну муфту. Після встановлення кран має бути міцно закріплений на кухонній стільниці, а синя трубка щільно надягнута на патрубок крана.	
7.5	Підключення подвійного крана (для моделей з відповідною комплектацією) здійснюється за таким самим принципом, як і підключення одинарного.	
8.	<p>Виберіть стінку, на якій ви хочете розмістити фільтр, та вкрутіть у неї 2 шурупи для кріплення фільтра (не входять до комплекту) так, щоби нижні частини колб знаходилися на відстані не менш ніж 100 мм від підлоги.</p>	 <p>272 mm (10.7")</p>

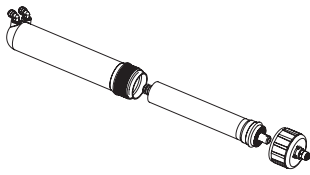
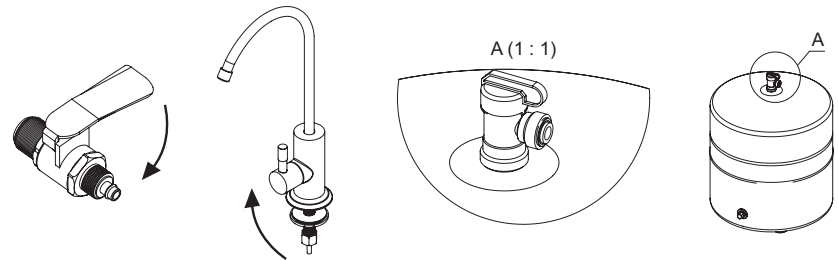
4. ПОСЛІДОВНІСТЬ ДІЙ ПІД ЧАС МОНТАЖУ СИСТЕМИ ЗВОРОТНОГО ОСМОСУ

UA

9.	<p>Встановіть картриджі у першу та другу колби за напрямком руху води (справа наліво). Якщо картриджі для моделей PURE встановлені всередині корпусу фільтра, будь ласка, випустіть повітря, витягнувши кольорові заглушки (може бути звук).*</p>	
10.	<p>Прикрутіть всі три колби, не докладаючи зайвих зусиль.</p>	
11.	<p>Від'єднайте трубку, яка з'єднує третю за напрямком руху води колбу з авторегулятором.</p>	
12.	<p>Відкрийте кран подачі води 5 та пропустіть через перші дві колби з картриджами 5-7 літрів води, щоби вимити вугільний пил, який може утворюватися у картриджах під час транспортування. УВАГА!!! Ця вода буде вилитися через відокремлену від авторегулятора трубку, тому вам знадобиться ємність для її збору.</p>	
13.	<p>Вставте картридж у третю за напрямком руху води колбу, прикрутіть колбу та знову пропустіть не менше 4 літрів води, щоби вимити вугільний пил. Закрийте кран подачі води 5 та з'єднайте раніше відокремлену трубку з авторегулятором.</p>	 <p>Якщо у комплектації вашого фільтра зворотного осмосу картриджі попереднього очищення містять лише СТО Aquagreen та/або СТО (без засипного вугільного фільтра GAC), ви можете пропустити пункти 9-14.*</p> <p>Якщо картриджі для моделей PURE встановлені всередині корпусу фільтра, будь ласка, випустіть повітря, витягнувши кольорові заглушки. Для таких фільтрів також можна пропустити пункти 9-14.*</p>

*Додано в комплектацію фільтрів зворотного осмосу з дати виготовлення 01.01.2026.

4. ПОСЛІДОВНІСТЬ ДІЙ ПІД ЧАС МОНТАЖУ СИСТЕМИ ЗВОРОТНОГО ОСМОСУ

14.	<p>Встановіть зворотноосмотичну мембрану 11 у призначений для неї корпус.</p> <p>УВАГА!!! Встановлення зворотноосмотичної мембрани здійснюється через торцевий розріз пакета. Не виймайте мембрану з упаковки та уникайте контакту рук з поверхнею мембрани.</p>	
15.	<p>Залиште кран подачі води 5 та кран очищеної води 3 відкритими на 30 хвилин. Поверніть кульовий кран 6 на баку 2 у положення «Відкрито». Закрийте кран для очищеної води 3 та уважно перевірте всі з'єднання на наявність протікань.</p> <p>УВАГА!!! Протягом перших двох тижнів щодня перевіряйте систему на наявність протікань, а в подальшому робіть це час від часу..</p> <p>У випадку вашої тривалої відсутності більше ніж 2 дні — відрядження чи відпустки — перекривайте подачу води до системи.</p>	
16.	<p>Після того як бак наповниться (ви почуєте, що потік води зупинився), злийте воду з бака у каналізацію, відкривши кран очищеної води 3. Після того як напір води вичерпається, закрийте кран очищеної води 3, щоби бак знову почав наповнюватися. Залежно від тиску у вашій водопровідній системі, наповнення може зайняти від 1,5 до 3 годин. Спустіть 2-3 баки води. Після цього ви можете пити очищену воду. Можливе потраплення частинок вугілля в очищену воду з вугільного постфільтру, встановленого на фінішній стадії. Це нормально і не погіршує якість очищеної води. В моделях фільтрів з мінералізатором після монтажу очищена вода може бути дещо мутною. Додатково злийте декілька баків очищеної води в каналізацію.</p>	

5. ПОСЛІДОВНІСТЬ ДІЙ ПІСЛЯ МОНТАЖУ

ПЕРЕВІРКА РОБОТИ СИСТЕМИ НА ВІДПОВІДНІСТЬ ТЕХНІЧНИМ ХАРАКТЕРИСТИКАМ

1. Оцінка часу наповнення бака. Бак наповнився в той момент, коли припинився скид концентрату в лінію каналізації. Отримане значення залежить від вихідного тиску водопроводу.

5. ПОСЛІДОВНІСТЬ ДІЙ ПІСЛЯ МОНТАЖУ

2. Визначення конверсії. Для цього потрібно: мірна ємність об'ємом не менше 1 л, секундомір. Закрийте кульовий кран бака **6** і відкрийте кран для очищеної води **3**. За допомогою мірної ємності перевірте час наповнення ємності пермеатом $t_{\text{пермеат}}$. Далі, закрийте кран очищеної води **3** і кран подачі води **5** і скористайтеся мірною ємністю для вимірювання часу наповнення того ж об'єму концентратом $t_{\text{концентрат}}$. Після цього закрийте крани **3** та **5** і відкрийте кульовий кран бака **6**. Використовуйте наступну формулу для розрахунку конверсії:

$$R = \frac{t_{\text{концентрат}}}{t_{\text{пермеат}} + t_{\text{концентрат}}} \times 100\%$$

де R — конверсія, %; $t_{\text{концентрат}}$ — час наповнення ємності концентратом; хв, $t_{\text{пермеат}}$ — час наповнення ємності пермеатом, хв.

Залежно від якості вхідної води, температури води, тиску перед мембраною конверсія може бути різною. Нормальна величина конверсії повинна бути в діапазоні 10-20%.

3. Перевірка значення TDS вихідної води, TDS пермеата за допомогою каліброваного TDS-метра.

4. Перевірка спрацьовування авторегулятора. При заповненому баку та закритому крані для очищеної води закрийте кульовий кран бака **6**. Скидання концентрату має припинитися протягом 10 хвилин.

5. Перевірка системи на наявність протікань.

6. Інформування власників системи щодо правил технічного обслуговування системи, рекомендація ознайомитися з даною інструкцією.



Внесення запису про введення в експлуатацію у щоденник технічного обслуговування у пункті 9.1 цього паспорту.

6. ПРАВИЛА ЕКСПЛУАТАЦІЇ

1) Призначення системи

Побутова система зворотного осмосу призначена для доочищення тільки холодної води.

2) Заміна картриджів попереднього очищення

Якщо час наповнення бака збільшився, це може означати, що ресурс комплексу картриджів попереднього очищення вичерпаний, і комплект потребує негайної заміни. Зволікання із заміною картриджів може призвести до пошкодження або руйнування мембрани. Щоб уникнути таких критичних ситуацій, ми настійно рекомендуємо замінювати комплект картриджів попереднього очищення води не рідше ніж один раз на 6 місяців. Важливо, щоб картриджі були сумісні з вашою моделлю фільтра.

6. ПРАВИЛА ЕКСПЛУАТАЦІЇ

3) Заміна зворотноосмотичної мембрани

Якщо швидкість фільтрації значно падає, це може бути ознакою того, що зворотноосмотична мембрана потребує заміни. Для забезпечення стабільної якості очищеної води рекомендується замінювати зворотноосмотичну мембрану не рідше ніж раз на 1-1,5 роки. Якщо рівень TDS (загальних розчинених часток) в очищеній воді перевищує допустимий рівень, це також є сигналом для заміни мембрани.

4) Дезінфекція та заміна фільтрувальних елементів

У випадку тривалих перерв у роботі системи (більше ніж 2 тижні) необхідно провести дезінфекцію системи, описану в пункті 7, а також здійснити повну заміну всіх фільтрувальних елементів. Це дозволить уникнути накопичення мікроорганізмів і забезпечить високу якість води після її використання. Дезінфекція системи також включає обробку трубок та резервуара для води, щоб запобігти розвитку бактерій або плісняви.

5) Перекриття подачі води при тривалій відсутності

Якщо ви не плануєте користуватися системою протягом тривалого часу (більше 2 днів, наприклад, під час відпустки чи відрядження), рекомендується перекрити подачу води до системи. Це допоможе уникнути витоків води або потенційних пошкоджень системи, особливо в разі непередбачених ситуацій, таких як перепади тиску або проблеми з підключенням. Також важливо перевірити герметичність усіх з'єднань перед тим, як залишити систему без нагляду.

6) Перевірка тиску води

Вода в систему повинна подаватися з тиском, що відповідає рекомендованим параметрам виробника (зазвичай 2-4,5 бар). Якщо тиск води занадто низький, система може працювати неефективно, а якщо занадто високий — це може пошкодити мембрану. Використання редуктора тиску води для коригування тиску є обов'язковим.

7) Встановлення редуктора тиску перед системою зворотного осмосу

Систему зворотного осмосу необхідно захищати від високого тиску та різких перепадів тиску, які можуть виникати через особливості місцевої системи водопостачання. На вході системи обов'язково має бути встановлений регулятор тиску. Оптимальний робочий тиск для системи становить 3,5 бар (52,5 psi). Відсутність регулятора тиску може призвести до пошкодження компонентів, що працюють під тиском, і втрати гарантії.

8) Не використовуйте систему для очищення води, що містить масла, розчинники чи агресивні хімічні речовини

Зворотний осмос не підходить для очищення води, що містить органічні розчинники, олії або інші агресивні хімічні речовини. Такі домішки можуть пошкодити мембрану та знизити ефективність фільтрації. Для очищення води з такими забрудненнями потрібні спеціалізовані системи фільтрації.

9) Очищення зовнішніх компонентів

6. ПРАВИЛА ЕКСПЛУАТАЦІЇ

Для підтримки чистоти і безпеки системи очищайте зовнішні компоненти (наприклад, корпус, підключення) за допомогою м'якої тканини, змоченої в розчині миючого засобу. Уникайте використання агресивних хімікатів, що можуть пошкодити поверхню і компоненти системи.

10) Моніторинг роботи системи

Періодично перевіряйте роботу системи, слідкуйте за змінами в продуктивності та рівні води в баку. Якщо система почала працювати із зниженими показниками або з'явилися сторонні шуми чи запахи, це може бути сигналом для негайного обслуговування чи заміни компонентів.

11) Під час кожного сервісного обслуговування системи фіксуйте дату та проведені роботи у щоденнику технічного обслуговування

Для зручності та коректної роботи вашої системи зворотного осмосу рекомендується вести щоденник технічного обслуговування. У ньому слід фіксувати дати заміни картриджів, мембрани та інших компонентів, а також дату проведення дезінфекції та інших важливих робіт.

12) Перевіряйте систему на наявність протікань

Перевіряйте систему на наявність протікань. У разі їх виявлення зверніться до сервісної служби.

13) Для запобігання протіканням та забезпечення належної роботи фільтра ущільнювальні кільця, розміщені у колбах для фільтрувальних елементів, необхідно замінювати не рідше ніж один раз на рік.

Невиконання цієї вимоги може призвести до виходу системи з ладу та протікання.

14) Міні редуктор тиску

Встановлюйте редуктор на вхідному шлангу фільтра, дотримуючись напрямку потоку води за стрілкою на корпусі.

15) Датчик протікання

Монтуйте датчик горизонтально під системою на рівній поверхні — між редуктором тиску та фільтром.

Попередження щодо гарантії:

Гарантія не поширюється на пошкодження, викликані порушенням умов експлуатації, таких як використання системи не за призначенням, неправильне обслуговування або модифікації, відсутність редуктора тиску чи використання води, що містить агресивні хімічні речовини. Недотримання рекомендацій щодо заміни картриджів, мембрани, перевірки тиску води чи проведення дезінфекції може призвести до втрати гарантії.

6. ПРАВИЛА ЕКСПЛУАТАЦІЇ

6.1. ПРИЗНАЧЕННЯ ВУЗЛІВ ТА ЇХ ЗАМІНА

Ступінь фільтрації	Назва картриджа	Періодичність заміни
Перший, другий, третій	Ecosoft Поліпропіленовий фільтр попереднього очищення (5 мікрон)	1 раз на 3 місяці для всіх моделей фільтрів зворотного осмосу, крім моделей з технологією AquaGreen 1 раз на 6 місяців для моделей з технологією AquaGreen
	Ecosoft Фільтр із гранульованим активованим вугіллям	
	Ecosoft AquaGreen CTO	
	Ecosoft Поліпропіленовий фільтр попереднього очищення (1 мікрон)	
	Ecosoft CTO	
Четвертий	Ecosoft Поліпропіленовий фільтр попереднього очищення (5 мікрон) з бактеріостатичним ефектом	1 раз на рік
	Ecosoft Градієнтний картридж зі спіненого поліпропілену (20/5 мікрон)	
	Мембрана зворотного осмосу Ecosoft 50 GPD* Мембрана зворотного осмосу Ecosoft 75 GPD* Мембрана зворотного осмосу Ecosoft 100 GPD*	
П'ятий, шостий	Ecosoft Вугільний постфільтр	1 раз на 6 місяців
	Ecosoft Balance	
	Ecosoft Мінералізатор постфільтр	
	Ecosoft Alkafuse Ecosoft AquaCalcium	

* Ця система зворотного осмосу містить змінний компонент очищення, який має вирішальне значення для ефективного зменшення загального вмісту розчинених твердих речовин. Періодично слід проводити тестування вихідної води, щоб переконатися, що система працює задовільно.



Щоб придбати запасні картриджі для вашої моделі фільтра, відвідайте <https://ecosoft.ua/ua/>

СУМІСНІСТЬ КАРТРИДЖІВ З МОДЕЛЯМИ ФІЛЬТРІВ

Серія Standard

Тип картриджа	Рекомендована періодичність заміни*, місяці	Модель фільтра		
		MO550ECOSTD	MO550PECOSTD	MO650MECOSTD
Картридж попереднього очищення	3	CPV3ECOSTD або CHV3ECO		
Мембранний елемент	12	CSV181250ECO		
Вугільний постфільтр	6	CHV2010ECOPKG		
Мінералізатор постфільтр	6	—	—	PD2010ECOPKG

*Частота заміни картриджів залежить від якості вхідної води, максимальний термін використання змінних елементів з моменту встановлення – 2 роки.

6. ПРАВИЛА ЕКСПЛУАТАЦІЇ

Тип картриджа	Рекомендована періодичність заміни*, місяці	Модель фільтра		
		MO550MECOSTD	MO550MPECOSTD	MO550MPSECOSTD
Картриджі попереднього очищення	Кожні 3		CPV3ECOSTD	
Мембранний елемент	Кожні 12		CSV181250ECO	
Вугільний постфільтр	Кожні 6	—	—	—
Мінералізатор постфільтр	Кожні 6		PD2010ECOPKG	

Серія Absolute

Тип картриджа	Рекомендована періодичність заміни*, місяці	Модель фільтра	
		MO675MECO	MO675MPSECO
Комплект картриджів попереднього очищення та мінералізатор та / або постфільтр	6	CHV5ECOABS	
Комплект картриджів попереднього очищення та мінералізатор та / або постфільтр з мембранним елементом	12	CHV6ECOABS	

Серія PURE

Тип картриджа	Рекомендована періодичність заміни*, місяці	Модель фільтра		
		MO675MPUREBALECO MO675MBALPSECO	MO675PUREMACECO MO675PSMACECO	MO675ALCPUREECO MO675MALCPSECO
Комплект картриджів попереднього очищення та мінералізатор та / або постфільтр	6	CHV5PUREBAL	CHV5PUREMAC	CHV5PUREALC
Комплект картриджів попереднього очищення та мінералізатор та / або постфільтр з мембранним елементом	12	CHV6PUREBAL	CHV6PUREMAC	CHV6PUREALC

*Частота заміни картриджів залежить від якості вхідної води, максимальний термін використання змінних елементів з моменту встановлення – 2 роки.

6. ПРАВИЛА ЕКСПЛУАТАЦІЇ



У разі погіршення якості вхідної води ресурс картриджів може бути знижений.



Обслуговування системи здійснюйте тільки кваліфікованим спеціалістом сервісного центру.



Регламентована заміна картриджів попереднього очищення здійснюється 1 раз на 3 місяці для всіх моделей фільтрів, окрім моделей з функцією AquaGreen. Для моделей з AquaGreen заміна проводиться 1 раз на 6 місяців.

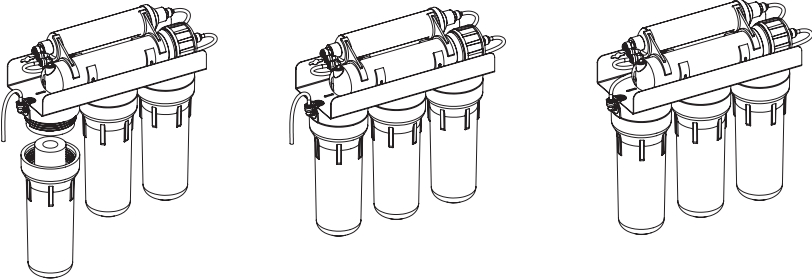


Щоб придбати змінні картриджі, відвідайте <https://ecosoft.ua/ua/>

6.2. ПОСЛІДОВНІСТЬ ДІЙ ПІД ЧАС ЗАМІНИ КАРТРИДЖІВ ПОПЕРЕДНЬОГО ОЧИЩЕННЯ

1.	Перекрийте кран подачі води 5 , поверніть кульовий кран бака 6 у положення «Закрито».	
2.	Ретельно вимийте руки антибактеріальним милом.	
3.	Відкрутіть ключем першу та другу колби за напрямком руху води. Будьте обережні, колби заповнені водою.	
4.	Видаліть відпрацьовані картриджі.	
5.	Ретельно вимийте колби неароматизованим милом та чистою губкою, після чого ретельно ополосніть їх водою.	
6.	Вставте нові картриджі у першу та другу колби за напрямком руху води (справа наліво).	
6.1	Якщо у комплектації вашого комплекту картриджів для фільтра зворотного осмосу містять лише СТО Aquagreen та/або СТО (без засипного вугільного фільтра GAC), ви можете пропустити пункти 7–11.	
7.	Від'єднайте трубку, яка з'єднує третю за напрямком руху води колбу з авторегулятором.	
8.	Відкрийте кран подачі води 5 та пропустіть через перші дві колби з картриджами 5-7 літрів води, щоби вимити вугільний пил, який може утворюватися в картриджах під час транспортування. УВАГА!!! Ця вода буде вилитися через відокремлену від авторегулятора трубку, тому вам знадобиться ємність для її збору.	

6. ПРАВИЛА ЕКСПЛУАТАЦІЇ

9.	Відкрутіть ключем третю за напрямком руху води колбу. Будьте обережні, колба заповнена водою.
10.	Видаліть відпрацьований картридж та ретельно вимийте колбу неароматизованим милом та чистою губкою, після чого ретельно ополосніть її водою.
11.	<p>Вставте картридж у третю за напрямком руху води колбу, прикрутіть колбу та знов пропустіть не менше 4 літрів води, щоби вимити вугільний пил. Закрийте кран подачі води 5 та з'єднайте раніше відокремлену трубку з авторегулятором.</p> 
13.	Відкрийте кульовий кран бака 6 .
14.	Відкрийте кран подачі води на систему 5 .

UA

6.3 ПОСЛІДОВНІСТЬ ДІЙ ПІД ЧАС ЗАМІНИ МЕМБРАНИ



Обслуговування системи здійснюйте тільки кваліфікованим спеціалістом сервісного центру.



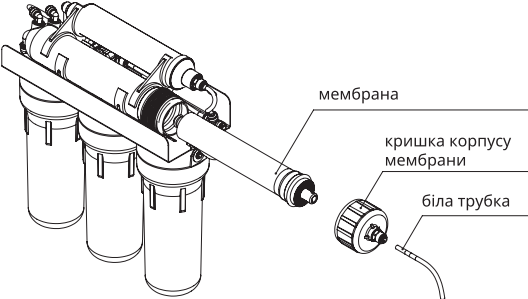
Щоб придбати змінні картриджі, відвідайте <https://ecosoft.ua/ua/>



Регламентована заміна мембрани зворотного осмосу повинна здійснюватися 1 раз на рік.

(Заміна мембрани виконується спеціалістом сервісного центру)

6. ПРАВИЛА ЕКСПЛУАТАЦІЇ

1.	Перекрийте кран подачі води на систему 5 , поверніть кульовий кран бака 6 у положення «Закрито».
2.	Відкрийте кран очищеної води 3 для скидання тиску в системі.
3.	Від'єднайте білу трубку від кришки корпусу мембрани.
4.	Відкрутіть кришку корпусу мембрани.
5.	Дістаньте використану зворотноосмотичну мембрану 11 (запам'ятайте її розташування у корпусі).
	
6.	Нанесіть мастило на гумові ущільнення нової зворотноосмотичної мембрани 11 та ущільнення кришки корпусу мембрани. УВАГА!!! Щоби не пошкодити мембрану, у якості мастила використовуйте лише харчовий гліцерин.
7.	Встановіть нову зворотноосмотичну мембрану у корпус, дотримуючись напрямку та положення трубки. УВАГА!!! Встановлення зворотноосмотичної мембрани здійснюється через торцевий розріз пакета. Не виймайте мембрану з упаковки та уникайте контакту рук з поверхнею мембрани.
8.	Закрутіть кришку корпусу мембрани.
9.	Під'єднайте білу трубку до кришки корпусу мембрани.
10.	Відкрийте кран подачі води 5 .
11.	Залиште кран подачі води 5 та кран очищеної води 3 відкритими на 30 хвилин. Поверніть кульовий кран 6 на бак 2 у положення «Відкрито». Закрийте кран для очищеної води 3 та уважно перевірте всі з'єднання на наявність протікань.
12.	Закрийте кран очищеної води 3 .
13.	Відкрийте кульовий кран бака 6 .
14.	Після того як бак наповниться (ви почуєте, як потік води припиниться), злийте воду з бака у каналізацію, відкривши кран очищеної води 3 , щоби бак знову почав заповнюватися. Залежно від тиску у вашій водопровідній системі заповнення може тривати від 1,5 до 3 годин. Після того як бак наповниться вдруге, ви можете пити очищену воду.

6. ПРАВИЛА ЕКСПЛУАТАЦІЇ

6.4 ПОСЛІДОВНІСТЬ ДІЙ ПІД ЧАС ЗАМІНИ ВУГІЛЬНОГО КАРТРИДЖА ТА/АБО МІНЕРАЛІЗАТОРА



Обслуговування системи здійснюйте тільки кваліфікованим спеціалістом сервісного центру.

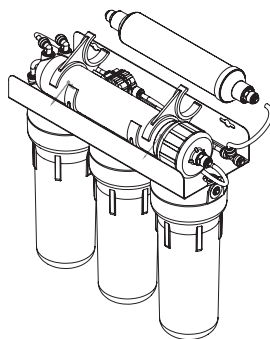


Щоб придбати змінні картриджі, відвідайте <https://ecosoft.ua/ua/>



Регламентована заміна мембрани зворотного осмосу повинна здійснюватися 1 раз на рік.

1.	Перекрийте кран подачі води на систему 5 , поверніть кульовий кран бака 6 у положення «Закрито».
2.	Відкрийте кран очищеної води 3 , щоби скинути тиск у системі.
3.	Від'єднайте трубки, які з'єднують вугільний постфільтр та/або мінералізатор з системою.
4.	Зніміть відпрацьований вугільний постфільтр та/або мінералізатор з пластикових тримачів (кліпс).
5.	Встановіть новий вугільний постфільтр та/або мінералізатор, керуючись стрілками, що позначають напрям потоку води.
6.	Під'єднайте трубки, якими вугільний постфільтр та/або мінералізатор з'єднується з системою.
7.	Відкрийте подачі води 5 . Відкрийте кульовий кран бака 6 .
8.	Злийте воду з бака у каналізацію, відкривши кран очищеної води 3 . Після того як напір води вичерпається, закрийте кран очищеної води 3 , щоби бак знову почав заповнюватися. Залежно від тиску у вашій водопровідній системі заповнення може тривати від 1,5 до 3 годин. Після того як бак наповниться вдруге, ви можете пити очищену воду. В моделях фільтрів з мінералізатором після заміни очищена вода може бути дещо мутною. Додатково злийте декілька баків очищеної води в каналізацію.



7. ДЕЗІНФЕКЦІЯ СИСТЕМИ ЗВОРОТНОГО ОСМОСУ



Обслуговування системи здійснюйте тільки кваліфікованим спеціалістом сервісного центру.

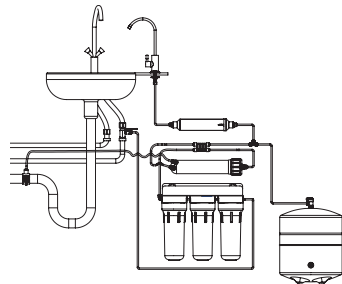
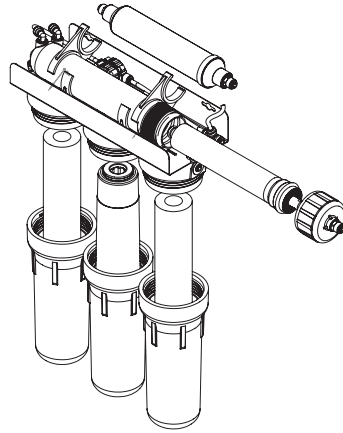
Дезінфекцію фільтрів питної води рекомендується проводити після їх тривалої експлуатації (~6 місяців), а також у якщо фільтр тривалий час не використовувався (2 тижні). Також бажано проводити дезінфекцію системи при заміні картриджів.

Для дезінфекції рекомендується використовувати таблетки на основі активного хлору.

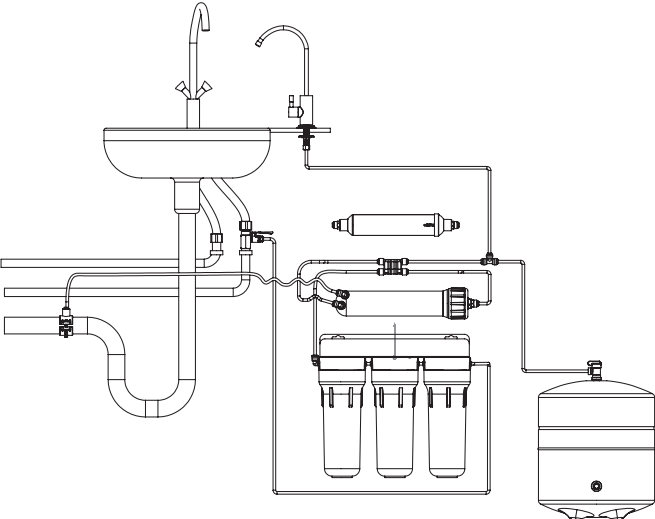
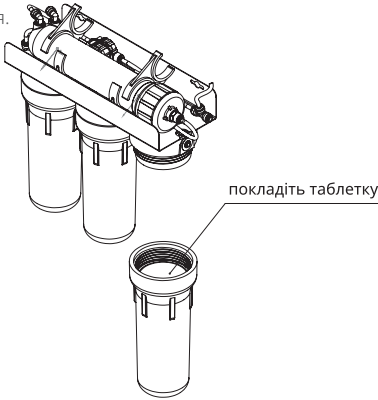


Дезінфікуючий засіб шкідливий! Зберігайте його в недоступних для дітей місцях. Після використання дезінфікуючого засобу ретельно вимийте руки.

1.	Перекрийте кран подачі води 5 , поверніть кульовий кран бака 6 у положення «Закрито».
2.	Дістаньте та утилізуйте картриджі попереднього очищення та вугільний постфільтр.
3.	Дістаньте зворотноосмотичну мембрану, герметично її упакуйте та покладіть у холодильник з температурою +2...+5 °С (щоби дістати мембранний елемент, можна скористатися круглоглубцями).
4.	Закрутіть другу та третю колби за напрямком руху води, корпус мембрани, підключіть трубку від крана очищеної води до трійника замість вугільного постфільтра.



7. ДЕЗІНФЕКЦІЯ СИСТЕМИ ЗВОРОТНОГО ОСМОСУ

4.	
5.	<p>Покладіть у першу колбу таблетку для знезаражування. Залийте колбу водою та закрутіть.</p> 
6.	Через 15 хвилин відкрийте кран для очищеної води 3 та кран подачі води 5 .
7.	У момент коли з крана очищеної води піде вода з запахом хлору, закрийте кран для очищеної води 3 та кран подачі води 5 .
8.	Залиште систему, заповнену розчином, на 2-3 години..
9.	Відкрийте кран для очищеної води 3 та кран подачі води 5 . Дочекайтеся зникнення запаху хлору у воді з крана.
10.	Встановіть у систему всі фільтруючі елементи, відкрийте кульовий кран бака 6 . Відкрийте кран подачі води 5 .
11.	Наповніть та злийте не менше двох баків води (до повного зникнення запаху хлору).

7. ДЕЗІНФЕКЦІЯ СИСТЕМИ ЗВОРОТНОГО ОСМОСУ

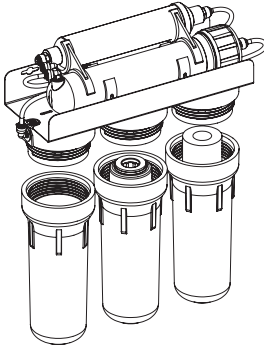
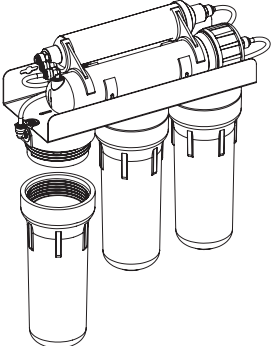
7.1 ДЕЗІНФЕКЦІЯ НАКОПИЧУВАЛЬНОГО БАКА



Обслуговування системи здійснюйте тільки кваліфікованим спеціалістом сервісного центру.

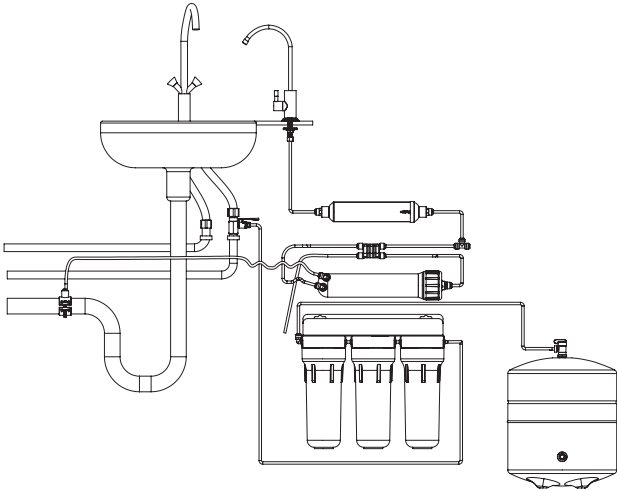


Дезінфікуючий засіб шкідливий! Зберігайте його в недоступних для дітей місцях. Після використання дезінфікуючого засобу ретельно вимийте руки.

1.	Перекрийте кран подачі води 5 .
2.	Відкрийте кран для очищеної води 3 та злийте всю воду у каналізацію.
3.	Перекрийте кульовий кран бака 6 .
4.	<p>Дістаньте картриджі попереднього очищення.</p> 
5.	<p>Закрутіть другу та третю колби за напрямком руху води.</p> 

7. ДЕЗІНФЕКЦІЯ СИСТЕМИ ЗВОРОТНОГО ОСМОСУ

UA

<p>6.</p>	<p>Відключіть трубку, що йде до накопичувального бака, від трійника вугільного постфільтра та під'єднайте її до фітинга третьої колби.</p> 
<p>7.</p>	<p>Покладіть у першу колбу таблетку для знезаражування. Залийте колбу водою та закрутіть.</p>
<p>8.</p>	<p>Через 15 хвилин відкрийте кульовий кран бака 6.</p>
<p>9.</p>	<p>Відкрийте кран подачі води 5 на 5 хвилин.</p>
<p>10.</p>	<p>Закрийте кульовий кран бака та залиште бак заповненим розчином на 1-2 години.</p>
<p>11.</p>	<p>Злийте воду з накопичувального бака 6, відключивши його трубку від фітинга третьої колби. Відновіть початкове підключення трубок.</p>
<p>12.</p>	<p>Встановіть картриджі у систему, відкрийте кульовий кран бака 6 та кран подачі води 5.</p>
<p>13.</p>	<p>Наповніть та злийте не менше трьох баків води (до повного зникнення запаху хлору).</p>

8. МОЖЛИВІ НЕСПРАВНОСТІ ТА СПОСОБИ ЇХ УСУНЕННЯ

Несправність	Причина	Як усунути
Протікання води з-під фітингів	Не герметично під'єднані трубки	Від'єднайте та заново підключіть трубки
Протікання з-під дренажного хомута	Дренажний хомут встановлений неправильно	Правильно встановіть дренажний хомут
Протікання з-під колби	Неправильно встановлене кільце ущільнення	Перевірте правильність встановлення кільця ущільнення (у жолобі колби), кільце необхідно замінювати не рідше ніж один раз на рік.
	Колба закручена недостатньо щільно	Щільно закрутіть колбу
Вода з крана тече дуже слабко	Низький тиск на вході в систему	Перевірте вхідний тиск. Якщо тиск нижчий ніж 3 бар — встановіть помпу для підвищення тиску
	Забруднені картриджі префільтра	Замініть картриджі префільтра
	Забруднена мембрана	Замініть мембрану
	Перетиснута з'єднувальна трубка	Перевірте трубку по всій довжині
	Низький тиск у накопичувальному баку	Тиск у накопичувальному баку без води має бути 0,4–0,6 бар. За необхідності підкачайте тиск насосом. Операція виконується спеціалістом сервісного центру (СЦ)
Підвищений рівень шуму	Повітря в авторегуляторі	Повітря буде витіснене з авторегулятора природним шляхом через деякий час
	Тиск на вході в систему вищий за необхідний	Встановіть регулятор тиску. Зверніться в СЦ
Стук авторегулятора	Коливання тиску в мережі	Встановіть зворотний клапан на вході водопровідної мережі в квартиру. Перевірте тиск у сухому мембранному баку. Тиск у накопичувальному баку без води має бути 0,4–0,6 бар. За необхідності підкачайте тиск насосом. Операція виконується спеціалістом сервісного центру

8. МОЖЛИВІ НЕСПРАВНОСТІ ТА СПОСОБИ ЇХ УСУНЕННЯ

Вода постійно тече в дренаж	Низький тиск на вході в систему	Перевірте вхідний тиск. Якщо тиск нижчий за 3 бар. — встановіть помпу для підвищення тиску
	Забруднені картриджі префільтра	Замініть картриджі префільтра
	Забруднена мембрана	Замініть мембрану
	Несправний авторегулятор	Перевірте працездатність авторегулятора (при закритому кульовому крані накопичувального бака авторегулятор через декілька хвилин має перекрити подачу води на систему). Зверніться в СЦ
	Несправний зворотний клапан у корпусі мембрани	При несправному зворотному клапані накопичувальний бак заповнений, скидання води в дренаж не припиняється. Зверніться в СЦ
	Низький тиск у накопичувальній ємності	Перевірте тиск у сухому накопичувальному баку. Тиск у накопичувальному баку без води має бути 0,4–0,6 бар. За необхідності підкачайте тиск насосом. Операція виконується спеціалістом сервісного центру
Вода не витікає з дренажної трубки при подачі води на систему	Відсутній або неправильно встановлений обмежувач потоку	Перевірте наявність обмежувача потоку на виході з мембранотримача (корпусу мембрани). Він має бути вставлений у трубку чорного кольору та під'єднаний до виходу з мембранотримача. Якщо той бік трубки, у який вставлений обмежувач потоку, спрямований у каналізацію — переставте трубку (прочистивши обмежувач). Якщо обмежувача потоку немає — ймовірно, його зміло в каналізацію. Встановіть новий обмежувач потоку (під'єднайте кінець трубки з обмежувачем до виходу з мембранотримача)
	Накопичувальний бак заповнений	Відкрийте кран очищеної води. Якщо після зливання очищеної води з бака почнеться злив у дренаж — система працює нормально
	Забитий обмежувач потоку	Прочистіть або замініть обмежувач потоку
	Невідповідність отвору у дренажному хомуті та каналізаційній трубі	Встановіть дренажний хомут правильно, повторно перевірте роботу системи

8. МОЖЛИВІ НЕСПРАВНОСТІ ТА СПОСОБИ ЇХ УСУНЕННЯ

Вода має білий відтінок, який зникає при відстоюванні	Повітря у системі	Повітря в системі — нормальне явище на початку роботи системи. Через деякий час цей ефект проходить. Увага! Бульбашки повітря можуть з'явитися в очищеній воді у холодну пору року, при значній різниці температур води та приміщення
Вода має присмак та запах	Ресурс вугільного постфільтра вичерпаний	Замініть картридж
	Дезінфікуючий розчин мембрани не змитий	Спустіть всю воду з бака в стік, наберіть бак повторно
	Забруднення в системі	Проведіть знезаражування системи відповідно до рекомендацій розділів 7 та 7.1
	Забруднений бак	Замініть бак Увага! Бак може забруднюватися під час тривалої експлуатації системи та при несвоєчасній заміні картриджів
Мало води в накопичувальному баку	Високий тиск у повітряній камері накопичувального бака	Тиск у накопичувальному баку без води має бути 0,4–0,6 бар. За необхідності стравіть тиск. Операція виконується спеціалістом СЦ
	Закритий кран на накопичувальному баку	Перевірте положення крана на баку

9. ЩОДЕННИК ТЕХНІЧНОГО ОБСЛУГОВУВАННЯ

Виробник настійно рекомендує вести записи у щоденнику технічного обслуговування, фіксуючи всі проведені роботи, такі як введення в експлуатацію заміна картриджів, мембрани, дезінфекція та інші процедури. Ця інформація допоможе технічному спеціалісту під час діагностики вашої системи зворотного осмосу, а також може бути затребувана виробником у випадку гарантійних звернень або відхилень у роботі системи.

9.1 ВВЕДЕННЯ В ЕКСПЛУАТАЦІЮ

Дата введення в експлуатацію, ДД:ММ:РР	Тиск на вході	Температура вхідної води, °С	Наявність редуктора тиску (ТАК/НІ)	Виконано знезараження, (ТАК/НІ)	Час наповнення бака, Г:ММ	Конверсія (recovery)	Рекомендації	Наявність аналізу вхідної води (ТАК/НІ), (дата проведення)	Відомості про додатково встановлене обладнання: найменування, дата монтажу (приклад: редуктор, помпа, фільтри попереднього очищення та ін.)	Назва компанії, що провела монтаж системи	ПІБ технічного спеціаліста, що провів монтаж системи

РОБОТИ З ПІДКЛЮЧЕННЯ ВИКОНАНІ, ВИРІБ ПЕРЕВІРЕНИЙ, ПРЕТЕНЗІЙ ЩОДО ЯКОСТІ РОБОТИ ТА КОМПЛЕКТАЦІЇ НЕМАЄ. ВИКОНАННЯ РОБІТ ПІДТВЕРДЖУЮ

Власник обладнання _____

Підпис/ПІБ

Представник сервісного центру _____

Підпис/ПІБ

9. ЩОДЕННИК ТЕХНІЧНОГО ОБСЛУГОВУВАННЯ

9.2 ТЕХНІЧНЕ ОБСЛУГОВУВАННЯ

Найменування робіт	Витратні матеріали, які були використані при технічному обслуговуванні	Температура води, °С	Тиск на вході	Проведена дезінфекція системи / бака	Час наповнення бака, чч.мм	Співвідношення пермеат/концентрат	Дата технічного обслуговування	Назва компанії, яка виконувала технічне обслуговування	ПІБ спеціаліста	Роботи виконані, претензій до якості виконаної роботи немає. Підпис власника обладнання

10. ДАНІ ПРО ПРОДУКТИВНІСТЬ

Ця система була протестована відповідно до NSF/ANSI 58 для зниження концентрації речовин, зазначених нижче. Концентрація зазначених речовин у воді, що надходить до системи, була знижена до рівня, меншого або рівного допустимій межі для води, що виходить із системи, відповідно до стандарту NSF/ANSI 58.

Речовина	Концентрація у вихідній воді (мг/л)	Максимальна допустима концентрація у очищеній воді (мг/л)
Миш'як (п'ятивалентний)*	0,30 ± 10%	0,010
Барій*	10,0 ± 10%	2,0
Кадмій*	0,03 ± 10%	0,005
Мідь*	3,0 ± 10%	1,3
Хром (гексавалентний та тривалентний)*	0,3 ± 10% (гексавалентний), 0,3 ± 10% (тривалентний)	0,05 (гексавалентний) та 0,05 (тривалентний)
Фтор*	8,0 ± 10%	1,5
Свинець*	0,15 ± 10%	0,010
Радій 226/228*	25 pCi/л ± 10%	5 pCi/л ± 10%
Селен*	0,10 ± 10%	0,05
Каламутність*	11 ± 1 NTU	0,5 NTU

*Системи, які оснащені мембранами TW30-1812-50, TW30-1812-75, CSV181250ECO, сертифіковані на відповідність цим заявам про зниження.

Речовина	Концентрація у вихідній воді (мг/л)	Мінімальний рівень зниження, %
Мінімальний рівень зниження, %	750 ± 40 мг/л	75%

10.1 ФАКТИ ПРО МИШ'ЯК

Наявність і форми миш'яку у воді

Миш'як (As) — це природний забруднювач, що зустрічається в багатьох джерелах підземних вод. Зазвичай він існує у двох формах, відомих як валентності або ступені окислення: п'ятивалентний миш'як (As(V), As(+5) або арсенат) і тривалентний миш'як (As(III), As(+3) або арсеніт). У природній підземній воді миш'як може бути присутнім як тривалентний, п'ятивалентний або у їх комбінації. Обидві форми шкідливі для здоров'я людини, але тривалентний миш'як вважається більш небезпечним.

10. ДАНІ ПРО ПРОДУКТИВНІСТЬ

Визначення миш'яку у воді та ефективність системи

Споживачі, які використовують воду з централізованих систем, можуть звернутися до місцевих водоканалів, щоб дізнатися, чи використовується в процесі очищення води вільний хлор. Це важливо для перетворення тривалентного миш'яку на п'ятивалентний. Для приватних джерел води або вод без залишкового хлору рекомендується перевіряти воду, щоб визначити форму миш'яку. У деяких випадках може знадобитися додаткове очищення для окиснення тривалентного миш'яку до п'ятивалентного, щоб система ефективно його видала.

Заяви щодо видалення п'ятивалентного миш'яку

Системи спеціально розроблені для видалення п'ятивалентного миш'яку з води. Вони не перетворюють тривалентний миш'як на п'ятивалентний. У лабораторних умовах система знижувала рівень п'ятивалентного миш'яку з 0,30 мг/л до 0,010 мг/л (10 ppb) або нижче, що відповідає стандарту USEPA для безпечної питної води. Фактична продуктивність системи може варіюватися залежно від умов використання, і рекомендується регулярно перевіряти очищену воду, щоб переконатися, що система працює належним чином.

Умови, які можуть вплинути на продуктивність

Здатність системи видаляти п'ятивалентний миш'як може змінюватися залежно від якості води на місці встановлення. Наприклад, наявність заліза або інших домішок у воді може вплинути на її ефективність.

Компонент для видалення миш'яку та обслуговування

Компонент зворотного осмосу (RO) у системах TW30-1812-50, TW30-1812-75, CSV181250ECO, CSV181275ECO відповідає за видалення п'ятивалентного миш'яку. Для збереження ефективності системи RO-компонент слід регулярно замінювати відповідно до рекомендацій, зазначених у керівництві користувача. Частота заміни та інформація про місця придбання заміних компонентів зазначені в інструкції з монтажу та експлуатації.

11. БЕЗПЕКА ЗДОРОВ'Я ТА НАВКОЛИШНЬОГО СЕРЕДОВИЩА

Виріб не чинить хімічного, радіоактивного, електрохімічного впливу на навколишнє середовище. Не належить до шкідливих за ступенем дії на організм людини, відповідає санітарному законодавству України при використанні за призначенням.

12. ПРАВИЛА КУПІВЛІ

Купівлю бажано здійснювати у авторизованих центрах продажів. При купівлі необхідно перевірити цілісність упаковки, наявність механічних пошкоджень та інших відхилень, комплектацію (не розкриваючи пакет), наявність супроводжувальної документації, зокрема інструкції та гарантійного талона.

13. ТРАНСПОРТУВАННЯ ТА ЗБЕРІГАННЯ

Транспортування виробу допускається будь-яким транспортним засобом (крім неопалюваних у холодну пору року) відповідно до правил перевезення вантажів, які діють на кожному виді транспорту.

Під час вантажно-розвантажувальних робіт та транспортування необхідно дотримуватися вимог маніпуляційних знаків на упаковці.

Вироби мають зберігатися у закритих приміщеннях, де виключена можливість механічних пошкоджень, впливу вологи та хімічно активних речовин. Вироби мають зберігатися в упаковці виробника при температурі навколишнього середовища від +5 до +40 °C та відносній вологості 80 %, на відстані не менше ніж 1 м від опалювальних приладів.

UA

14. ЗАСТЕРЕЖЕННЯ

Шановний користувачу, перед використанням вашої системи зворотного осмосу, будь ласка, уважно ознайомтесь з наступними застереженнями та рекомендаціями. Дотримання цих інструкцій не тільки забезпечить правильну роботу системи, але й допоможе уникнути серйозних проблем, які можуть призвести до пошкодження обладнання та втрати гарантії.

1. Перед встановленням та використанням системи зворотного осмосу уважно ознайомтеся з посібником користувача, місцевими сантехнічними нормами та правилами, і строго дотримуйтесь усіх вказівок. Дотримання інструкцій забезпечує безпечну й ефективну роботу системи, а також захищає від можливих травм або пошкоджень. Для встановлення системи та виконання будь-яких супутніх робіт рекомендується звертатися до кваліфікованих фахівців.

2. **Захист від високого тиску:** Для коректної роботи системи необхідно забезпечити захист від високого тиску та різких перепадів тиску у водопостачальній мережі. На вході **обов'язково має бути встановлений регулятор тиску**. Відсутність регулятора тиску може призвести до пошкодження компонентів системи і втрати гарантії. Оптимальний робочий тиск для системи становить 3,5 бар (52,5 psi).

3. Виробник настійно рекомендує вести записи у щоденнику технічного обслуговування (пункт **9.1**), детально фіксуючи всі проведені роботи, такі як введення в експлуатацію, заміна картриджів, мембрани, дезінфекція та інші процедури. Ця інформація важлива для роботи технічного спеціаліста під час діагностики вашої системи зворотного осмосу, а також може бути необхідною виробнику у разі гарантійних звернень чи відхилень у роботі системи.

4. **Встановлення та запуск системи** повинні виконуватися лише кваліфікованим спеціалістом. Система призначена тільки для очищення холодної води.

5. **Аналіз води:** Перш ніж використовувати систему, обов'язково проведіть аналіз вхідної води у сертифікованій лабораторії, щоб визначити її якість та відповідність параметрам (пункт **2**) для коректної роботи системи.

14. ЗАСТЕРЕЖЕННЯ

Вимоги до води, яка подається на систему зворотного осмосу:

Найменування показника	Значення
рН	6,5–8,5
Мінералізація, мг/л	<1500
Твердість, мг-екв/л	<10,0
Вільний хлор, мг/л	<0,5
Залізо, мг/л	<0,3
Марганець, мг/л	<0,1
Перманганатна окиснюваність, мг O ₂ /л	<5
Загальне мікробне число (ЗМЧ), КУО/мл	<50
Coli-індекс, КУО/100 мл	<3

6. **Дезінфекція води:** Не використовуйте систему для очищення мікробіологічно небезпечної води або води невідомої якості без належної попередньої дезінфекції.

7. **Перевірка тиску води:** Вода повинна подаватися в систему з тиском, що відповідає рекомендованим параметрам виробника (2-6 бар). **Використання редуктора тиску є обов'язковим.**

8. **Перевірка системи на протікання:** Після встановлення перевіряйте систему на наявність протікань, особливо протягом перших двох тижнів після монтажу. Після цього також перевіряйте раз на тиждень.

9. **Регулярна заміна фільтруючих елементів та технічне обслуговування фільтра:** Заміна картриджів попереднього очищення повинна відбуватися не рідше ніж раз на 6 місяців. Вчасна заміна допоможе уникнути пошкодження мембрани і забезпечить ефективну роботу системи (пункт **6**).

10. **Заміна зворотноосмотичної мембрани:** Для підтримки стабільної якості води необхідно міняти мембрану зворотного осмосу не рідше ніж раз на 1–1,5 роки. Якщо рівень TDS в очищеній воді перевищує 15 мг/л, це сигнал до заміни мембрани та звернення до кваліфікованої сервісної підтримки (пункт **6**).

11. **Дезінфекція при тривалій перерві у роботі:** Якщо система не працювала більше 2 тижнів, необхідно провести дезінфекцію та повну заміну фільтрувальних елементів (пункт **7**).

12. **Перекриття подачі води при тривалій відсутності:** У разі тривалої відсутності (більше 2 днів) рекомендується перекрити подачу води до системи для запобігання витокам чи пошкодженням.

13. Виробник не несе відповідальності за будь-які випадкові або непрямі збитки, спричинені невідповідністю вашого пристрою явним або неявним гарантійним умовам, або будь-яким

14. ЗАСТЕРЕЖЕННЯ

іншим дефектом пристрою. Це включає втрату чи пошкодження пристрою, втрату часу, незручності, пошкодження особистого майна, втрату доходу, комерційні збитки, витрати на доставку, проїзд, телефонні витрати чи інші збитки подібного характеру.

14. Увага до гарантії: Неправильне встановлення, відсутність регулятора тиску, несвоєчасна заміна компонентів або порушення інструкцій призводять до втрати гарантії.

Дотримання цих рекомендацій забезпечить стабільну роботу вашої системи зворотного осмосу та захистить вас від небажаних проблем.

15. ГАРАНТІЙНІ ЗОБОВ'ЯЗАННЯ

Ми вдячні вам за те, що ви придбали систему зворотного осмосу виробництва компанії Ecosoft. Сподіваємось, що наша система служитиме вам довго та даруватиме вам і вашій родині задоволення від чистої питної води.

Гарантійний строк

Гарантійний строк експлуатації складає **12 місяців** від дня продажу через роздрібну мережу (якщо інше не вказано в гарантійному талоні виробу).

Умови гарантії

Виробник гарантує, що дана система очищення води не містить виробничих дефектів, і ці дефекти не виявляться протягом гарантійного строку за умови, що система очищення встановлена та працює відповідно до технічних вимог та умов експлуатації.

Важливо!

Перед початком експлуатації ретельно вивчіть:

- інструкцію з підключення та експлуатації системи зворотного осмосу,
- умови гарантійних зобов'язань,
- перевірте правильність заповнення гарантійного талону та наявність документа, що підтверджує придбання (касовий чек, товарний чек, накладна, акт введення в експлуатацію).

Гарантійний талон

Гарантійний талон дійсний лише за наявності:

- правильно вказаних моделі та дати продажу,
- чітких печаток фірми-продавця.

Захист від високого тиску

Для коректної роботи системи необхідно забезпечити захист від високого тиску та різких перепадів тиску у водопостачальній мережі.

15. ГАРАНТІЙНІ ЗОБОВ'ЯЗАННЯ

Необхідно:

- На вході обов'язково має бути встановлений регулятор тиску.
- Оптимальний робочий тиск для системи — 3,5 бар (52,5 psi).

Важливо!

Відсутність регулятора тиску може призвести до пошкодження компонентів системи та втрати гарантії.

Умови втрати гарантії

Неправильне встановлення, відсутність регулятора тиску, несвоєчасна заміна компонентів, невідповідність вимогам до вхідної води або порушення інструкцій призводять до **втрати гарантії**.

Гарантійні зобов'язання не поширюються на:

- Пошкодження, **викликані звичайним зносом**.
- Поломки, обумовлені **неправильним використанням**.
- Пошкодження, викликані **модифікаціями, змінами або ремонтом**, здійсненими покупцем або третьою особою.
- **Витратні матеріали** (картриджі, зворотноосмотична мембрана, вугільний постфільтр, мінералізатор та інші змінні елементи), термін служби яких залежить від якості води та умов експлуатації.
- Пошкодження, спричинені **зовнішніми факторами**: перепади тиску, температури, забруднення, механічні або хімічні впливи.
- **Електричне обладнання** за відсутності заземлення або стабілізатора напруги в мережі.
- Недотримання умов **зберігання, транспортування чи експлуатації товару**.
- Несправності та неполадки, що виникли через **несвоєчасну заміну змінних елементів** або при використанні елементів інших виробників.

Важливо!

Всі претензії щодо якості води, **смаку** та **запаху**, очищеної за допомогою цього фільтра, приймаються лише за наявності підтверджуючого **протоколу аналізу**, виконаного дослідною акредитованою лабораторією.

Гарантійне зобов'язання припиняється:

- у разі **використання товару не за призначенням**;
- у разі **невиконання умов експлуатації**, зазначених у паспортно-експлуатаційних документах;
- якщо перевищено граничні **технічні норми** для експлуатації товару (пункт 2);
- у разі порушення **правил техніки безпеки**, умов зберігання або переміщення товару;
- якщо ремонт або інше втручання в роботу товару було проведено **неуповноваженим сервісом**;
- за відсутності встановленого **редуктора тиску** перед системою.

Рекомендуємо скористатися послугами **авторизованих сервісних центрів** для монтажу та

15. ГАРАНТІЙНІ ЗОБОВ'ЯЗАННЯ

запуску системи. Якщо ви обираєте самостійний монтаж або монтаж сторонніми сервісними інженерами, гарантія може бути **анульована** у разі:

- Неправильного монтажу системи, що спричинило некоректну роботу або протікання вузлів.
- Некоректної роботи системи через порушення послідовності дій при введенні в експлуатацію.
- Відсутності **редуктора тиску** перед системою.

Дотримання цих рекомендацій забезпечить стабільну роботу вашої системи зворотного осмосу та захистить вас від небажаних проблем.

Після виконання гарантійних робіт Постачальник оформляє та направляє покупцю акт з переліком виконаних робіт та матеріалів, які не підлягають оплаті. Покупець зобов'язаний підписати акт та повернути один примірник протягом **5 календарних днів** з моменту отримання.

Якщо акт не буде повернутий чи не надано заперечень у цей строк, роботи та матеріали вважаються прийнятими покупцем без зауважень.

Увага! Для отримання безумовної гарантії 5 років потрібно:

- здійснити монтаж та введення в експлуатацію Авторизованим сервісним центром;
- змінювати картриджі Авторизованим сервісним центром згідно регламенту виробника.

Безумовна гарантія 5 років надає додаткові переваги:

- гарантійну заміну будь якого вузла та/або компонента системи (за виключенням змінних картриджів) на протязі всього гарантійного терміну;
- стеження за ресурсом картриджів до вашого фільтра, своєчасне нагадування та їх заміна Авторизованим сервісним центром;
- отримання індивідуальних знижок на змінні картриджі та послуги Авторизованого сервісного центру.

Стандартне підключення працівником сервісної служби

Стандартне підключення виконується тільки на труби діаметром 1/2 дюйма за наявності вентиля для підключення води безпосередньо у квартирі.

Перелік робіт, що виконує працівник сервісної служби при стандартному підключенні:

- встановлення вхідної муфти та крана подачі води у водопровідну трубу;
- встановлення крана для очищеної води на мийку або стільницю;
- встановлення модуля фільтрації, дренажного хомута та підключення кольоровими трубками;
- перевірка системи на герметичність робочих вузлів та коректності роботи в цілому;
- заповнення акту виконаних робіт;
- заповнення журналу технічного обслуговування.

Додатково працівник сервісної служби може запропонувати та встановити:

- регулятор тиску;
- компенсатор гідроудару;
- систем захисту від протікання води;
- інше обладнання, яке покращить роботу основного обладнання;
- сервісне обслуговування.

15. ГАРАНТІЙНІ ЗОБОВ'ЯЗАННЯ

Додатково оплачуються:

- транспортні витрати сервісної служби;
- виїзд сервісної служби у неробочий час;
- підключення до наявних точок водопостачання, де не забезпечене гнучке з'єднання та потрібна зміна конструкції водопроводу з застосуванням спеціального інструменту та додаткових матеріалів та комплектуючих;
- встановлення крана для очищеної води на поверхні, виготовлений з матеріалу, який потребує застосування спеціального обладнання (чавун, штучний камінь, керамограніт та інші штучні матеріали);
- встановлення регулятора тиску
- встановлення компенсатора гідроудару;
- встановлення системи захисту від протікання води;
- встановлення іншого обладнання, яке покращить роботу основного обладнання;
- сервісне обслуговування.

Сервісна служба не несе відповідальності за стан підвідних водопровідних труб та сантехнічної арматури покупця. Незадовільний стан підвідних водопровідних труб, сантехнічної арматури та невиконання покупцем необхідних згідно з інструкцією з експлуатацією вимог для підключення фільтра є підставою для відмови у наданні послуг з підключення.



УВАГА!!! У випадку самостійного підключення системи виробник не несе відповідальності та не приймає претензії, які можуть бути викликані неправильним підключенням та некоректною роботою системи в цілому.

16. СЕРТИФІКОВАНІ СЕРВІСНІ ЦЕНТРИ У ВАШОМУ РЕГІОНІ

Перелік авторизованих сервісних центрів вказаний на сайі www.ecosoft.com

CERTYFIKATY ECOSOFT



PRODUKT Z ATESTEM

Number
B.BK.60110.0920.2024
valid up to: 12 08 2027

SPIS TREŚCI

1. Przeznaczenie systemu	113
2. Charakterystyka i elementy wyposażenia	115
2.1 Oznaczenia i kody modeli	115
2.2 Dane techniczne	116
2.2.1 Mini reduktor ciśnienia	116
2.2.2 Czujnik przecieku	117
2.3 Jakość wody	118
2.3.1 Wymagania dotyczące wody dostarczanej do systemu odwróconej osmozy	118
2.3.2 Skład wody za membraną odwróconej osmozy	118
2.3.3 Skład mineralny wody po filtrze z mineralizatorem	119
2.4 Elementy systemu odwróconej osmozy	120
3. Schematy połączeń	123
3.1 Schemat połączeń systemu w standardzie	123
3.2 Schemat połączeń systemu z mineralizatorem i podwójną wylewką	124
3.3 Schemat połączeń systemu z mineralizatorem i pojedynczą wylewką	125
3.4 Schemat połączeń systemu z pompą (5 etapów oczyszczania)	126
3.4.1 Schemat połączeń systemu z pompą (6 etapów oczyszczania)	127
3.5. Schemat połączeń systemu PURE Balance	128
3.5.1 Schemat połączeń systemu PURE Balance z pompą	129
3.6. Schemat połączeń systemu PURE AquaCalcium	130
3.6.1 Schemat połączeń systemu PURE AquaCalcium z pompą	131
3.7. Schemat połączeń systemu PURE Alkafuse	132
3.7.1 Schemat połączeń systemu PURE Alkafuse z pompą	133
4. Procedura montażu systemu odwróconej osmozy	134
4.1 Sprawdzanie parametrów wejściowych	134
4.2 Montaż	135
4.2.1 Zalecane narzędzia montażowe	135
4.2.2 Procedura montażu	135
5. Procedura postępowania po montażu	139
6. Zasady eksploatacji	140
6.1 Przeznaczenie elementów i ich wymiana	143
6.2 Procedura wymiany wkładów filtra wstępnego	145
6.3 Procedura wymiany membrany	146
6.4 Procedura wymiany wkładu węglowego i/lub mineralizatora	148
7. Dezynfekcja systemów odwróconej osmozy	149
7.1 Dezynfekcja zbiornika magazynowego	151
8. Rozwiązywanie problemów	153
9. Dziennik konserwacji	156
9.1 Uruchomienie	156
9.2 Konserwacja	157
10. Dane dotyczące wydajności	158
10.1 Fakty na temat arsenu	158
11. Bezpieczeństwo dla zdrowia i środowiska	159
12. Zasady zakupu	159
13. Transport i przechowywanie	159
14. Ostrzeżenia	160
15. Zobowiązania gwarancyjne	162
16. Certyfikowane centra serwisowe w Twoim regionie	165

1. PRZEZNACZENIE SYSTEMU

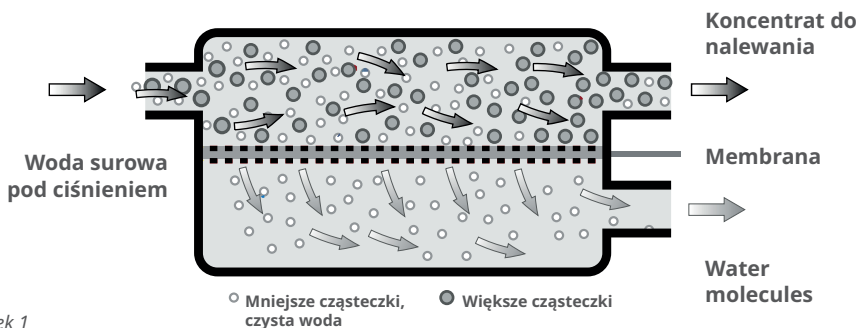
Przed przystąpieniem do montażu i użytkowania filtra odwróconej osmozy uważnie przeczytaj niniejszą instrukcję. Postępowanie zgodnie z instrukcjami zapewni bezpieczne i wydajne działanie systemu oraz pomoże uniknąć ewentualnych obrażeń ciała lub uszkodzenia sprzętu i mienia.

Odwrócona osmoza jest najbardziej zaawansowaną dostępną obecnie technologią uzdatniania wody. Dzięki specjalnej półprzepuszczalnej membranie, podobnej w swoich właściwościach do naturalnej membrany żywej komórki, możliwe jest obecnie skuteczne oczyszczanie wody pitnej z praktycznie wszystkich szkodliwych zanieczyszczeń, w tym wirusów i azotanów (Rysunek 1). Pory takiej membrany są 200 razy mniejsze niż wirusy i 4000 razy mniejsze niż bakterie. Filtry odwróconej osmozy działają na zasadzie metabolizmu w żywym organizmie na poziomie komórkowym. Tylko cząsteczki o określonej wielkości mogą przenikać przez membranę komórkową. Powszechne pytania niektórych konsumentów filtrów odwróconej osmozy, że taka woda jest pozbawiona wszystkich pierwiastków śladowych przydatnych dla organizmu, nie są w pełni uzasadnione, ponieważ 96% minerałów potrzebnych człowiekowi pochodzi z pożywienia, a nie z wody.

System odwróconej osmozy to pięciostopniowa jednostka filtrująca, która działa w następujący sposób (patrz punkt 2.4). Filtr jest podłączony do źródła zimnej wody za pomocą złącza przejściowego 4 i zaworu doprowadzania wody 5. Czerwona rurka łączy zawór doprowadzania wody z pierwszą (skrajną prawą) obudową modułu filtrującego.

Woda zasilająca przechodzi najpierw przez wkłady wstępnego oczyszczania 9. Wkłady wstępnego oczyszczania są przeznaczone do usuwania z wody zanieczyszczeń mechanicznych, takich jak rdza, piasek, muł i inne, a także pozostałości chloru, związków organicznych i chloroorganicznych.

Po wstępnym oczyszczeniu woda trafia do czwartego (i najważniejszego) etapu — membrany odwróconej osmozy 11, która znajduje się w specjalnej obudowie. Obudowa membrany posiada wlot, który jest połączony z trzecią (skrajną lewą) obudową modułu filtracyjnego poprzez zawór odcinający (autoregulator), oraz dwa wyloty: jeden dla wody oczyszczonej (permeat) i drugi dla wody zanieczyszczonej (koncentrat). Membrana oczyszcza wodę na poziomie molekularnym, przepuszczając przez swoje pory jedynie cząsteczki wody i rozpuszczonego w niej tlenu.



Rysunek 1

1. PRZEZNACZENIE SYSTEMU



Po membranie strumień wody jest dzielony na dwie części — koncentrat, który jest odprowadzany do kanalizacji, oraz permeat, który trafia do zbiornika magazynowego **2** w celu przechowywania. Zbiornik jest podłączony do wylotu membrany poprzez autoregulator i zawór zwrotny wbudowany w złączkę redukcyjną, która jest wkręcona w wylot obudowy membrany. Za autoregulatorem zainstalowany jest trójnik, przez który zbiornik jest połączony z modułem filtrującym za pomocą żółtej rurki. Zawór kulowy zbiornika **6** jest zainstalowany na górnym przyłączy zbiornika.

Zbiornik jako część systemu pełni funkcję magazynowania uzdatnionej wody, ponieważ membrana domowej odwróconej osmozy w trybie bezpośredniego przepływu nie może zapewnić wystarczającej wydajności dla konsumenta. Na przykład, jeśli filtr jest wyposażony w membranę o wydajności 50 GPD (7,9 l/godz.), napełnienie szklanki o pojemności 200 ml zajmie ponad 1,5 minuty. Dlatego system magazynuje uzdatnioną wodę w zbiorniku i dostarcza ją konsumentowi w razie potrzeby, a następnie uzupełnia zapas wody. Pojemność zbiornika zależy od konfiguracji systemu. Czas napełniania zbiornika może wynosić od 1,5 do 3 godzin. Gdy zbiornik jest pełny, autoregulator odcina dopływ wody przez wkłady oczyszczania wstępnego do membrany i system się wyłącza. Po otwarciu wylewki do wody oczyszczonej **3** ciśnienie w zbiorniku spada, a autoregulator automatycznie otwiera dopływ wody przez wkłady oczyszczania wstępnego w celu uzupełnienia wody w zbiorniku. Zanieczyszczona woda (koncentrat) jest odprowadzana do kanalizacji przez wylot obudowy membrany połączony czerwoną rurką z obejmą zaciskową **8**, która jest zainstalowana na rurze kanalizacyjnej. Aby wytworzyć przeciwcisnienie wymagane do utrzymania ciśnienia roboczego wewnątrz membrany, w przewodzie odpływowym zainstalowany jest regulator przepływu **12**, który jest plastikową wkładką z kalibrowanym otworem dławiącym. Regulator przepływu jest zainstalowany w czarnej rurce po stronie przyłączeniowej obudowy membrany.

Ze zbiornika magazynującego uzdatniona woda przechodzi przez trójnik do piątego etapu uzdatniania — węglowego filtra końcowego i/lub mineralizatora przeznaczonego do końcowego uzdatniania wody. Węglowy filtr końcowy zawiera wysokiej jakości węgiel aktywny z łupin orzecha kokosowego. Filtr ten koryguje smak i zapach uzdatnionej wody, nadając jej wyrafinowany słodki smak. Węglowy filtr końcowy jest połączony niebieską rurką z wylewką do wody oczyszczonej **3**, którą instaluje się bezpośrednio na zlewie lub blacie kuchennym.

Mineralizator zawiera naturalną mieszankę minerałów Calcite i/lub Corosex oraz może zawierać węgiel aktywny, w zależności od modelu filtra. Ten element filtra wzbogaca wodę w wapń i/lub magnez, poprawia jej smak i sprzyja zdrowiu.

2. CHARAKTERYSTYKA I ELEMENTY WYPOSAŻENIA

2.1 OZNACZENIA I KODY MODELI

Modele

MO 5 50 (75, 100)

MO 5 50 (75, 100) P

MO 6 50 (75, 100) M

MO 6 50 (75, 100) MAC

MO 6 50 (75, 100) MP

Model Twojego systemu

MO X YYY ZZZZ AAA BBB

MO — Typ filtra. MO — odwrócona osmoza

X — Liczba etapów oczyszczania

YYY — Wydajność membrany odwróconej osmozy w GPD (galonach na dobę)*:

50GPD	190 litrów na dobę	7,9 litra na godzinę
75GPD	280 litrów na dobę	11,6 litra na godzinę
100GPD	380 litrów na dobę	15,8 litra na godzinę

* Wydajność systemu odwróconej osmozy jako całości jest zmienna i zależy od wielu czynników, a mianowicie: jakości wody zasilającej; stanu (zużycie, zapchanie) wkładów oczyszczania wstępnego i elementu membranowego; ciśnienia wody na wlocie, temperatury wody dostarczanej do filtra.

ZZZZ — Oznaczenia wyposażenia opcjonalnego:

M	System jest dodatkowo wyposażony w mineralizator
MAC	System z technologią mineralizacji PURE AquaCalcium
MBAL	System z technologią mineralizacji PURE Balance
ALK	System z technologią mineralizacji PURE Alkafuse
P	System jest dodatkowo wyposażony w pompę zwiększającą ciśnienie

AAA — Znak towarowy

BBB — Wersja językowa

S — System jest zamontowany na metalowej podstawie

Na przykład: kodowanie MO575PSECO oznacza, że system odwróconej osmozy z 5 etapami oczyszczania jest wyposażony w membranę o wydajności 75 galonów na dobę (11,6 litra na godzinę), z dodatkowymi opcjami w zestawie: mineralizator oraz pompa zwiększająca ciśnienie. Znak towarowy Ecosoft.

** Modele wyposażone w pompę zwiększającą ciśnienie (litera „P” w modelu) są przeznaczone do podłączenia do jednofazowego zasilania AC 230 V / 50 Hz.



System jest dostarczany z kablem zasilającym ze wtyczką i może być podłączony do prawidłowo zainstalowanego, uziemionego, znormalizowanego gniazdka. PRZED PRZYSTĄPIENIEM DO JAKIKOLWIEK PRAC NALEŻY ODŁĄCZYĆ SYSTEM OD ŹRÓDŁA ZASILANIA.



UWAGA!

Ten system musi być montowany i obsługiwany przez specjalistę posiadającego odpowiednie kwalifikacje i doświadczenie. System jest przeznaczony do uzdatniania zimnej wody!

2. CHARAKTERYSTYKA I ELEMENTY WYPOSAŻENIA

2.2. DANE TECHNICZNE

Nazwa parametru	Wartość
Ciśnienie wlotowe dla systemu bez pompy, bar	3–6*
Ciśnienie wlotowe dla systemu z pompą, bar	2–4,5*
Ciśnienie w zbiorniku membranowym, bar	0,4–0,6**
Temperatura wody zasilającej, °C	+4... +30***
Waga systemu, kg (w standardzie)	6
Dopuszczalna temperatura otoczenia, °C	+5...+40***
Zewnętrzne podłączenie do źródła wody, cale	Gwintowane, 1/2", 3/8"
Wymiary całkowite systemu, wys. x szer. x gł. (konfiguracja podstawowa), mm	350 x 450 x 150
Wymiary całkowite zbiornika, wys. x szer. x gł., mm	350 x 260 x 260

* Jeśli ciśnienie wody zasilającej jest niższe niż podana wartość, należy wybrać system z pompą lub zainstalować dodatkową pompę. Jeśli ciśnienie wody zasilającej jest wyższe niż podana wartość, przed systemem odwróconej osmozy należy zainstalować regulator ciśnienia.

** Jeśli ciśnienie jest wyższe lub niższe od podanej wartości, konieczne jest dopompowanie lub „zwolnienie” ciśnienia.

*** Jeśli temperatura wody zasilającej jest określona w zakresie +20...+30°C, selektywność membrany jest nieznacznie zmniejszona, a wydajność zwiększona, co powoduje niewielki wzrost TDS. Nie zaleca się używania systemu w przypadkach, gdy temperatura wody zasilającej przekracza +30°C.



System odwróconej osmozy musi być chroniony przed wysokim ciśnieniem i nagłymi spadkami ciśnienia, które mogą wystąpić ze względu na specyfikę lokalnego systemu zaopatrzenia w wodę. Na wlocie do systemu należy zainstalować regulator ciśnienia.

Optymalne ciśnienie robocze dla systemu wynosi 3,5 bara (52,5 psi) — regulator ciśnienia jest ustawiony na tę wartość przez producenta. Niezainstalowanie regulatora ciśnienia może spowodować uszkodzenie elementów ciśnieniowych i unieważnienie gwarancji.

2.2.1 MINI REDUKTOR CIŚNIENIA (5 bar)

Aby zapewnić stabilną pracę systemu odwróconej osmozy i chronić membranę przed nadmiernym ciśnieniem w sieci wodociągowej, filtr jest wyposażony w mini reduktor ciśnienia (filtry odwróconej osmozy są wyposażone w mini reduktor ciśnienia od daty produkcji 01.01.2026 r.).

Parametry techniczne reduktora ciśnienia:

- Ograniczenie ciśnienia: 5 bar (≈ 72 psi)
- Przepustowość: 7,5 l/min przy 100 psi
- Maksymalne ciśnienie wlotowe: 16 bar (230 psi)
- Maksymalna temperatura wody: 40 °C
- Podłączenie: szybkozłącza 1/4"

2. CHARAKTERYSTYKA I ELEMENTY WYPOSAŻENIA

Zasada działania:

Reduktor automatycznie obniża ciśnienie wejściowe do bezpiecznego poziomu (około 4,5–5,0 bar), przy wzroście ciśnienia wejściowego do 16 bar ciśnienie wyjściowe pozostaje stabilne w zakresie 4,8–5,5 bar.

Miejsce montażu:

Montowany na węźlu wlotowym systemu między zaworem doprowadzającym wodę do filtra odwróconej osmozy a czujnikiem przepływu. Strzałka na korpusie wskazuje kierunek przepływu wody.

Uwaga!

Wszystkie systemy odwróconej osmozy wymienione w niniejszej instrukcji są wyposażone w mini reduktor ciśnienia od daty produkcji 01.01.2026 r.

2.2.2 CZUJNIK PRZECIEKU

W celu dodatkowej ochrony przed zalaniem pomieszczenia system odwróconej osmozy jest wyposażony w mechaniczny czujnik przecieku.

Filtry odwróconej osmozy są wyposażone w czujnik przecieku od daty produkcji 01.01.2026 r.

Parametry techniczne czujnika przecieku:

- Typ: zawór tłokowy z elementem pochłaniającym
- Ciśnienie robocze: 2–4 bar
- Maksymalne ciśnienie: do 6 bar
- Podłączenie: szybkozłączki 1/4"
- Materiał: plastik spożywczy

Zasada działania:

Czujnik wycieku to zawór tłokowy, który automatycznie odcina dopływ wody w przypadku wykrycia wycieku.

- Pod ciśnieniem wody (2–4 bar) zawór pozostaje zamknięty, ponieważ tłok jest utrzymywany przez siłę ciśnienia.
- Gdy ciśnienie na wlocie zanika, sprężyna otwiera zawór i woda może ponownie przepływać.
- Po zamoczeniu bawełniana gąbka rozszerza się i mechanicznie blokuje dopływ wody.

Miejsce montażu:

Czujnik montuje się na węźlu wlotowym filtra między reduktorem ciśnienia a filtrem odwróconej osmozy, w pozycji poziomej na równej powierzchni pod systemem.

Co zrobić, jeśli czujnik zadziałał:

1. Sprawdź źródło wycieku — znajdź i usuń przyczynę.
2. Zmniejsz ciśnienie wody — odetnij dopływ wody przed zaworem i zmniejsz ciśnienie w systemie.
3. Sprawdź zawór — jeśli nie otworzył się automatycznie, naciśnij ręcznie trzpień kontrolny, aby przesunąć tłok.
4. Przywróć dopływ wody — po usunięciu problemu, wymianie gąbki bawełnianej i otwarciu zaworu.

2. CHARAKTERYSTYKA I ELEMENTY WYPOSAŻENIA

Uwaga!

Wszystkie systemy odwróconej osmozy wymienione w niniejszej instrukcji są wyposażone w czujnik wycieku od daty produkcji 01.01.2026 r.

2.3. JAKOŚĆ WODY

2.3.1. WYMAGANIA DOTYCZĄCE WODY DOSTARCZANEJ DO SYSTEMU ODWRÓCONEJ OSMOZY*

Nazwa wskaźnika	Wartość**
pH	6,5–8,5
Mineralizacja, mg/l	<1500
Twardość, mg-eq/l	<10,0
Wolny chlor, mg/l	<0,5
Żelazo, mg/l	<0,3
Mangan, mg/l	<0,1
Utlenialność wody, mg O ₂ /l	<5
Całkowita liczba drobnoustrojów (TMC), CFU/ml	<50
Indeks Coli, CFU/100 ml	<3

* Jeśli woda dostarczana do systemu nie spełnia określonych wymagań, żywotność membrany i wkładów może ulec skróceniu.

** Przed zainstalowaniem filtra należy zlecić analizę wody wodociągowej w certyfikowanym laboratorium. Pozwoli to określić jej jakość i zgodność z parametrami zalecanymi do prawidłowego działania systemu.

2.3.2. SKŁAD WODY ZA MEMBRANĄ ODWRÓCONEJ OSMOZY*

Nazwa wskaźnika	Wartość
pH	5,5–6,5
Mineralizacja, mg/l	5–15
Wapń, mg/l	<2
Magnez, mg/l	<1
Sód + potas, mg/l	<5

* Wskaźniki są określane w następujących warunkach: temperatura wody zasilającej 25°C, skład wody zasilającej i parametry pracy filtra są zgodne z zaleceniami producenta.

2. CHARAKTERYSTYKA I ELEMENTY WYPOSAŻENIA

2.3.3. SKŁAD MINERALNY WODY PO FILTRZE Z MINERALIZATOREM*

Nazwa wskaźnika	Mineralizator Ecosoft	AquaCalcium	Pure Balance	Pure Alkafuse
pH	6,5–7,5	7–7,5	7–8,5	>8,5***
Mineralizacja, mg/l	20–30**	55–65**	60–80	60–120
Wapń, mg/l	<10,0	10–15	10–15	5–15
Magnez, mg/l	—	—	4–6	5–15



Uwaga!

Zmiany smaku i zapachu uzdatnionej wody po wymianie węglowego filtra końcowego i mineralizatora wynikają z maksymalnej wydajności materiału filtracyjnego na początku okresu eksploatacji wkładów. W trakcie eksploatacji wkładów mineralizacja i właściwości organoleptyczne wody stopniowo maleją.

Należy przestrzegać harmonogramu serwisowania filtra, aby zapewnić stałą jakość uzdatnianej wody.

* Wskaźniki są określane w następujących warunkach: temperatura wody zasilającej 20°C, skład wody zasilającej i parametry pracy filtra są zgodne z zaleceniami producenta, wskaźnik zużycia wody przez trzyosobową rodzinę. Zawartość minerałów w uzdatnionej wodzie może być niższa, gdy temperatura wody zasilającej spada zimą, a wyższa, gdy temperatura wzrasta latem.

** Po ponad godzinnej bezczynności filtra zawartość minerałów w pierwszej szklance uzdatnionej wody w postaci zmetnienia może być wyższa niż podane wartości, ponieważ w tym czasie może rozpuścić się więcej minerałów. Jest to zjawisko normalne i nie ma wpływu na jakość uzdatnionej wody.



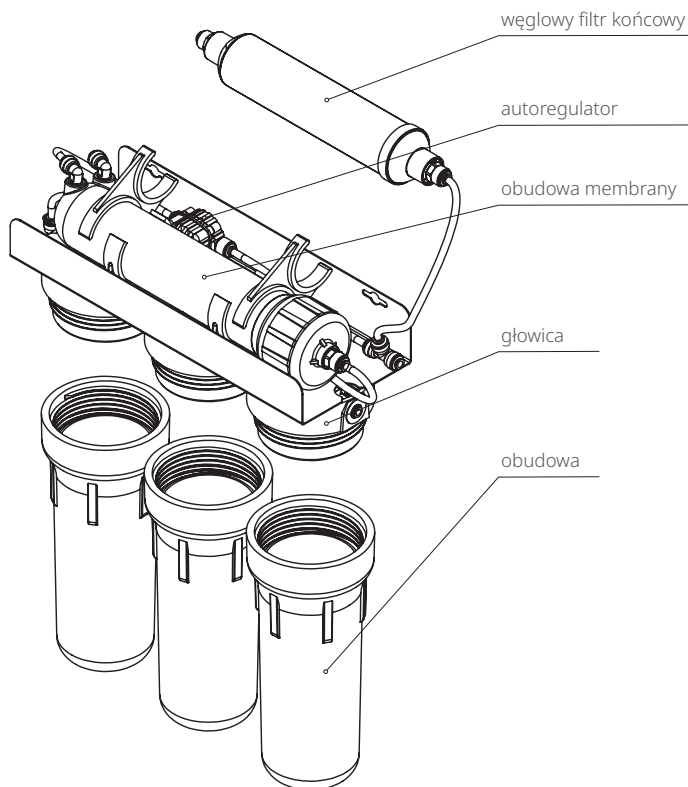
*** Przed spożyciem wody o pH >8,5 należy skonsultować się z lekarzem.

2. CHARAKTERYSTYKA I ELEMENTY WYPOSAŻENIA

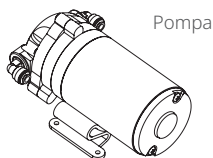
2.4. KOMPLETNY ZESTAW SYSTEMU ODWRÓCONEJ OSMOZY

Producent zastrzega sobie prawo do wprowadzania zmian w projekcie/wykonaniu produktu, pod warunkiem że zmiany te nie spowodują pogorszenia właściwości użytkowych produktu.

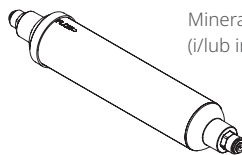
1) Moduł filtracji



Opcje:



Pompa



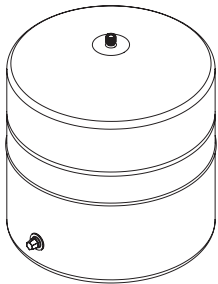
Mineralizator
(i/lub inny filtr końcowy)*

* W zależności od zestawu.

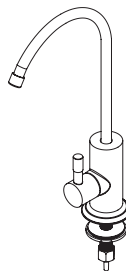
2. CHARAKTERYSTYKA I ELEMENTY WYPOSAŻENIA

2.4. KOMPLETNY ZESTAW SYSTEMU ODWRÓCONEJ OSMOZY

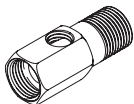
2) Zbiornik magazynowy



3) Wylewka do wody uzdatnionej



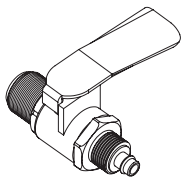
4) Złącze przejściowe 1/2"



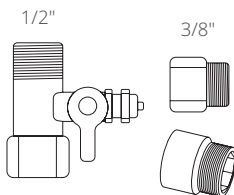
4.1) Złącze przejściowe 3/8"



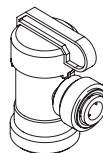
5) Zawór doprowadzania wody



5.1) Zawór doprowadzania wody**



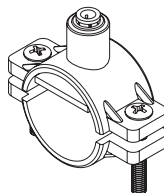
6) Zawór kulowy zbiornika



7) Zestaw kolorowych rurek*



8) Obejma zaciskowa



*Kompletność zestawu rurek może różnić się od przedstawionej na zdjęciu. W filtrach odwróconej osmozy wyprodukowanych po 19.03.2025 boczne złącze jest podłączone do czerwonej rurki. Podczas montażu filtra odwróconej osmozy należy podłączyć je zamiast czerwonej zaślepki.

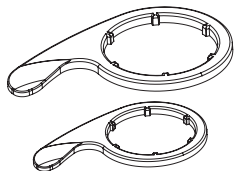
**Dodano do zestawu filtrów odwróconej osmozy od daty produkcji 01.01.2026.

2. CHARAKTERYSTYKA I ELEMENTY WYPOSAŻENIA

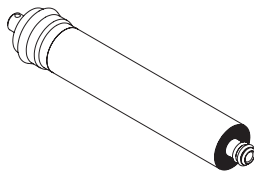
9) Zestaw wkładów do oczyszczania wstępnego (w zależności od modelu systemu)



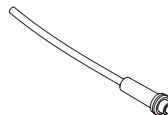
10) Klucze do obudów filtrów wstępnych i membrany



11) Membrana odwróconej osmozy



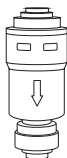
12) Regulator przepływu (włożony do czarnej rurki)



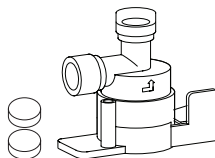
13) Klips blokujący: akcesorium montowane w module filtrującym, które służy do zabezpieczenia przed ewentualnym odłączeniem rurki w łatwo dostępnych miejscach. Obecność klipsa nie wpływa na szczelność połączenia. Liczba klipsów w produkcie może się różnić w zależności od konstrukcji systemu odwróconej osmozy, ale nie ma to wpływu na wydajność.



14) Zawór ograniczający ciśnienie**



15) Detektor wycieków**

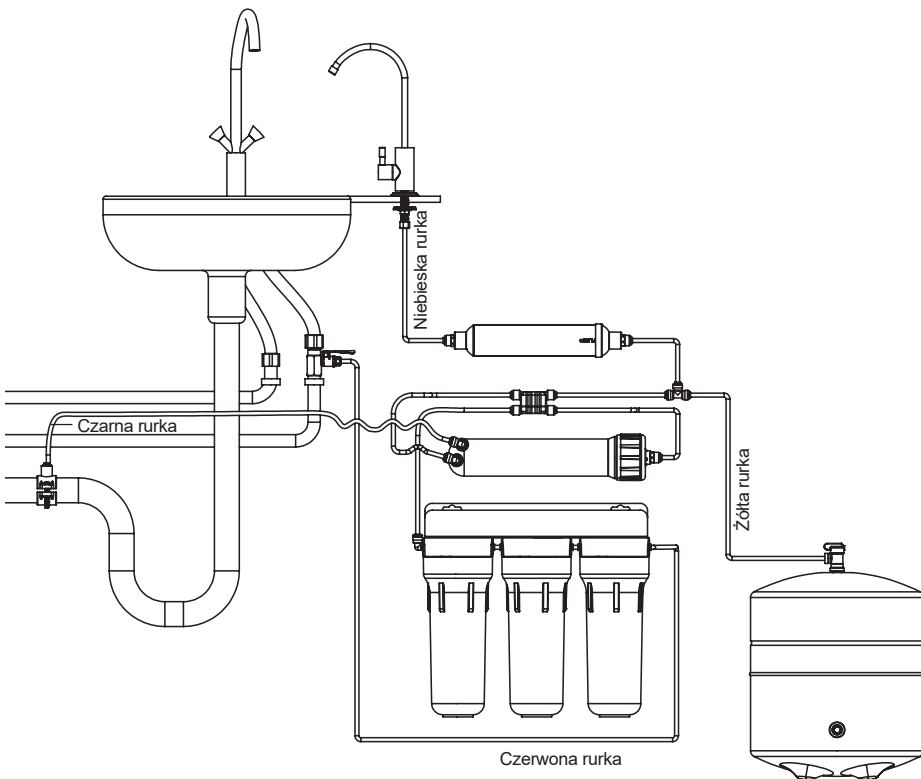


**Dodano do zestawu filtrów odwróconej osmozy od daty produkcji 01.01.2026.

3. SCHEMATY POŁĄCZEŃ

3.1. SCHEMAT POŁĄCZEŃ SYSTEMU W STANDARDZIE

Przed wykonaniem połączenia należy zapoznać się z poniższym schematem połączeń dla danego modelu filtra.



PL

Modele

MO 5 50

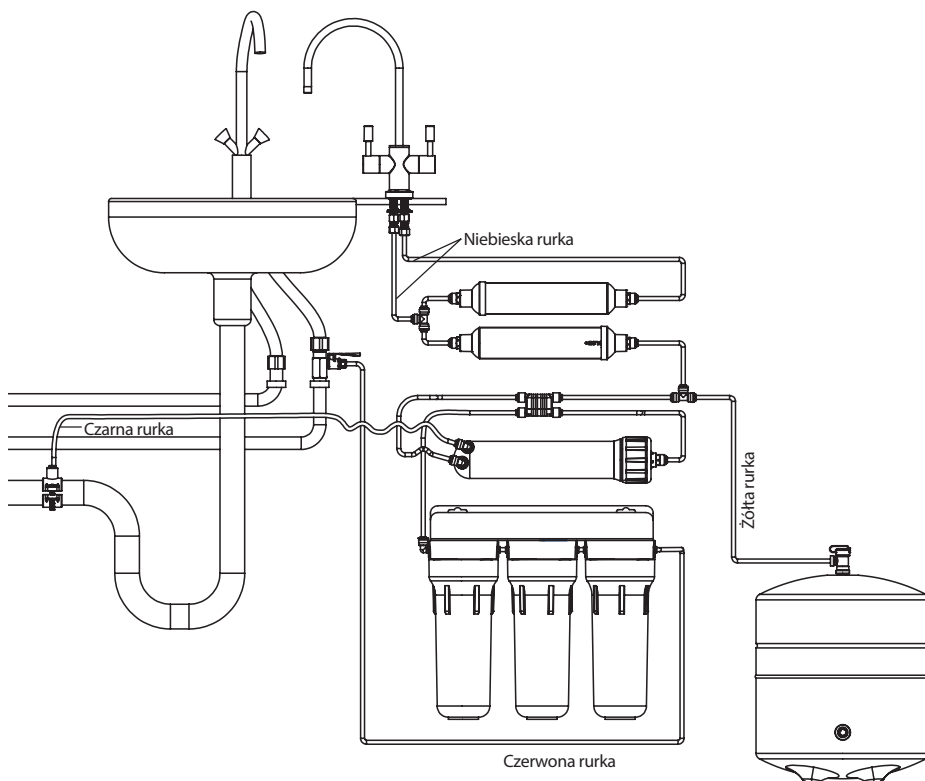
MO 5 75

MO 5 100

Producent zastrzega sobie prawo do wprowadzania zmian w projekcie/wykonaniu produktu, pod warunkiem że zmiany te nie spowodują pogorszenia właściwości użytkowych produktu.

3. SCHEMATY POŁĄCZEŃ

3.2. SCHEMAT POŁĄCZEŃ SYSTEMU Z MINERALIZATOREM I PODWÓJNĄ WYLEWKĄ



Modele

MO 6 50 M

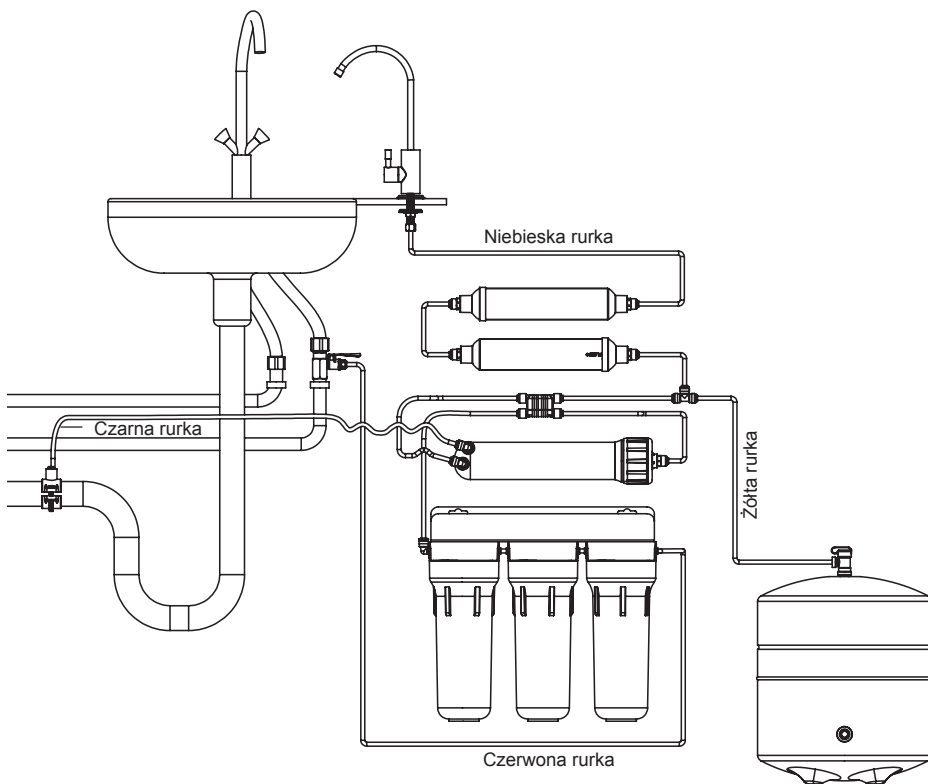
MO 6 75 M

MO 6 100 M

Producent zastrzega sobie prawo do wprowadzania zmian w projekcie/wykonaniu produktu, pod warunkiem że zmiany te nie spowodują pogorszenia właściwości użytkowych produktu.

3. SCHEMATY POŁĄCZEŃ

3.3. SCHEMAT POŁĄCZEŃ SYSTEMU Z MINERALIZATOREM I POJEDYNCZĄ WYLEWKĄ



PL

Modele

MO 6 50 M

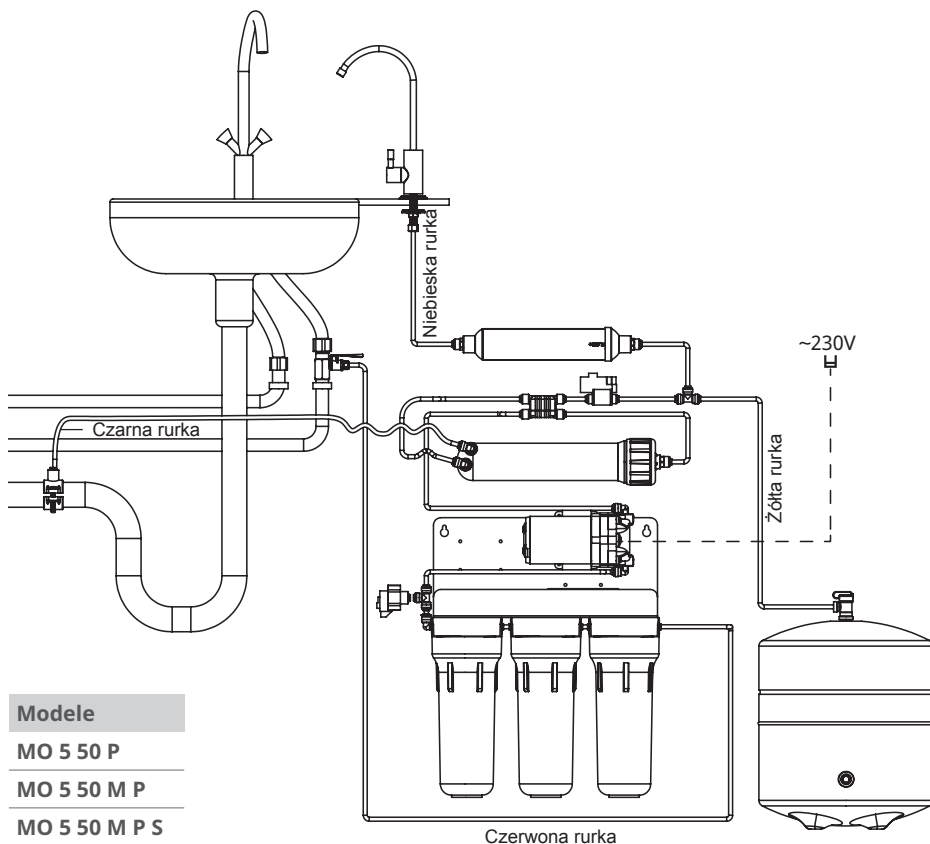
MO 6 75 M

MO 6 100 M

Producent zastrzega sobie prawo do wprowadzania zmian w projekcie/wykonaniu produktu, pod warunkiem że zmiany te nie spowodują pogorszenia właściwości użytkowych produktu.

3. SCHEMATY POŁĄCZEŃ

3.4. SCHEMAT POŁĄCZEŃ SYSTEMU Z POMPĄ (5 ETAPÓW OCZYSZCZANIA)



Modele

MO 5 50 P

MO 5 50 M P

MO 5 50 M P S

MO 5 75 P

MO 5 75 M P

MO 5 75 M P S

MO 5 100 P

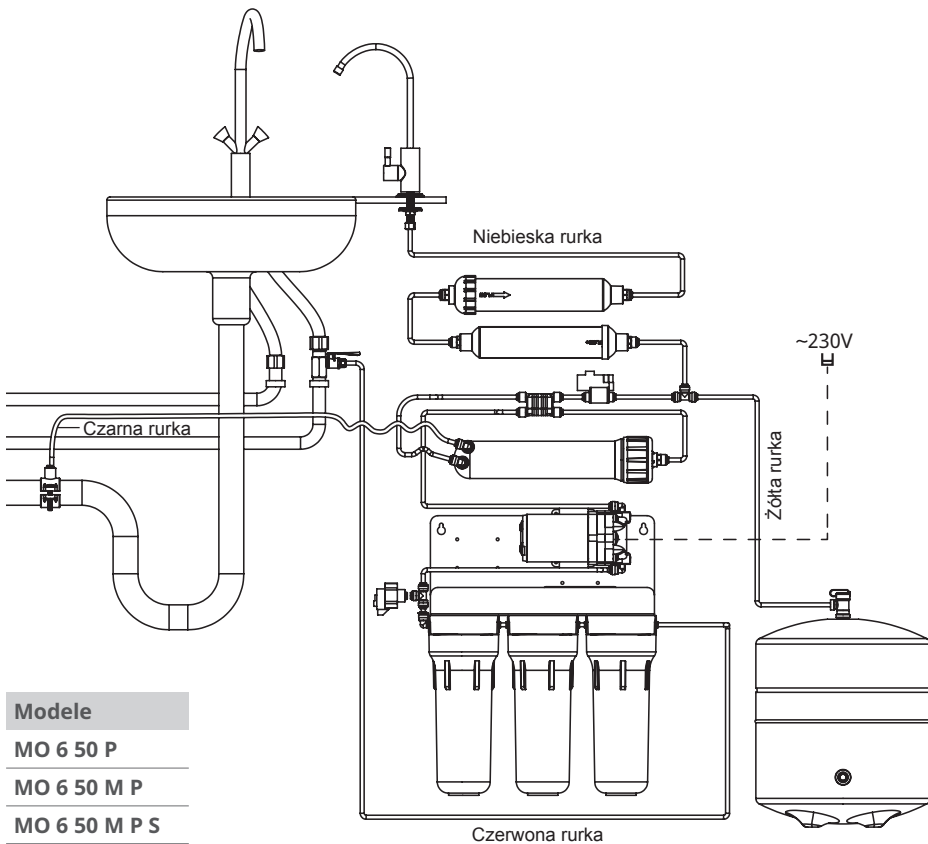
MO 5 100 M P

MO 5 100 M P S

Producent zastrzega sobie prawo do wprowadzania zmian w projekcie/wykonaniu produktu, pod warunkiem że zmiany te nie spowodują pogorszenia właściwości użytkowych produktu.

3. SCHEMATY POŁĄCZEŃ

3.4.1 SCHEMAT POŁĄCZEŃ SYSTEMU Z POMPĄ (6 ETAPÓW OCZYSZCZANIA)



Modele

MO 6 50 P

MO 6 50 M P

MO 6 50 M P S

MO 6 75 P

MO 6 75 M P

MO 6 75 M P S

MO 6 100 P

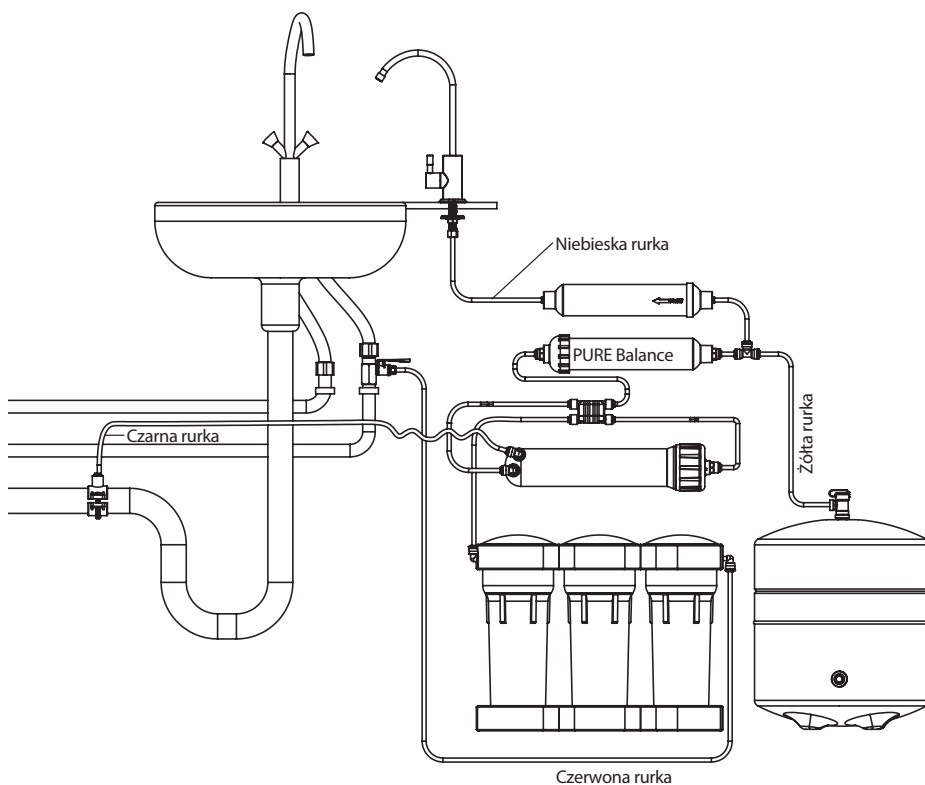
MO 6 100 M P

MO 6 100 M P S

Producent zastrzega sobie prawo do wprowadzania zmian w projekcie/wykonaniu produktu, pod warunkiem że zmiany te nie spowodują pogorszenia właściwości użytkowych produktu.

3. SCHEMATY POŁĄCZEŃ

3.5. SCHEMAT POŁĄCZEŃ SYSTEMU PURE BALANCE



Modele

MO 6 50 M BAL

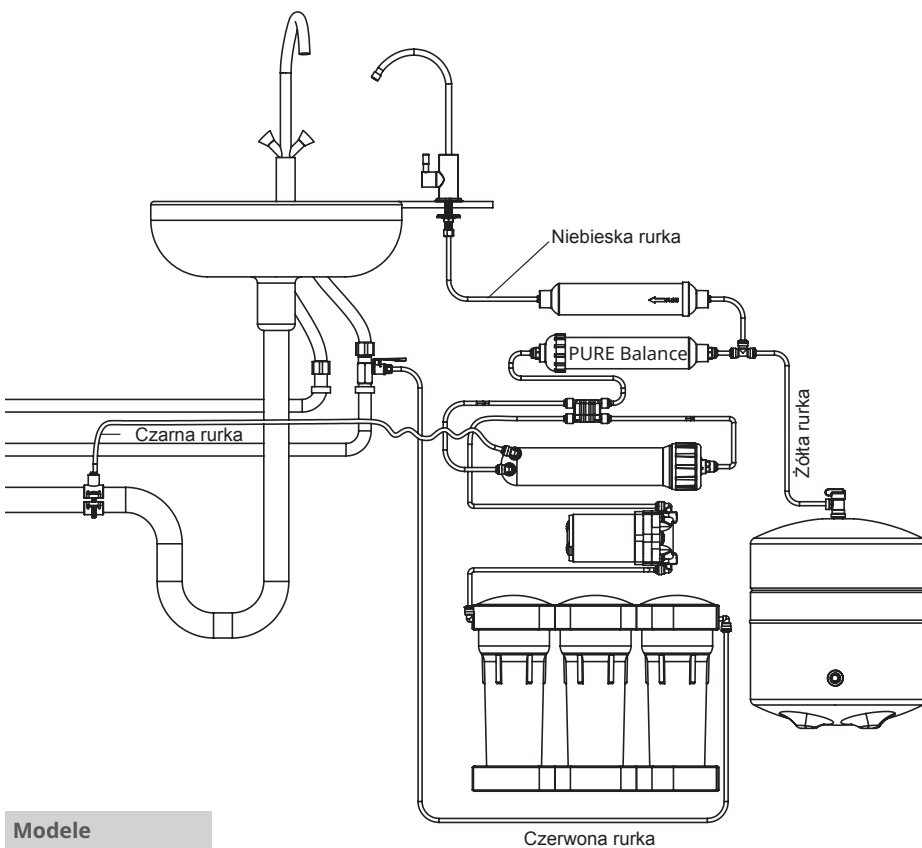
MO 6 75 M BAL

MO 6 100 M BAL

Producent zastrzega sobie prawo do wprowadzania zmian w projekcie/wykonaniu produktu, pod warunkiem że zmiany te nie spowodują pogorszenia właściwości użytkowych produktu.

3. SCHEMATY POŁĄCZEŃ

3.5.1 SCHEMAT POŁĄCZEŃ SYSTEMU PURE BALANCE Z POMPĄ



Modele

MO 6 50 M P BAL

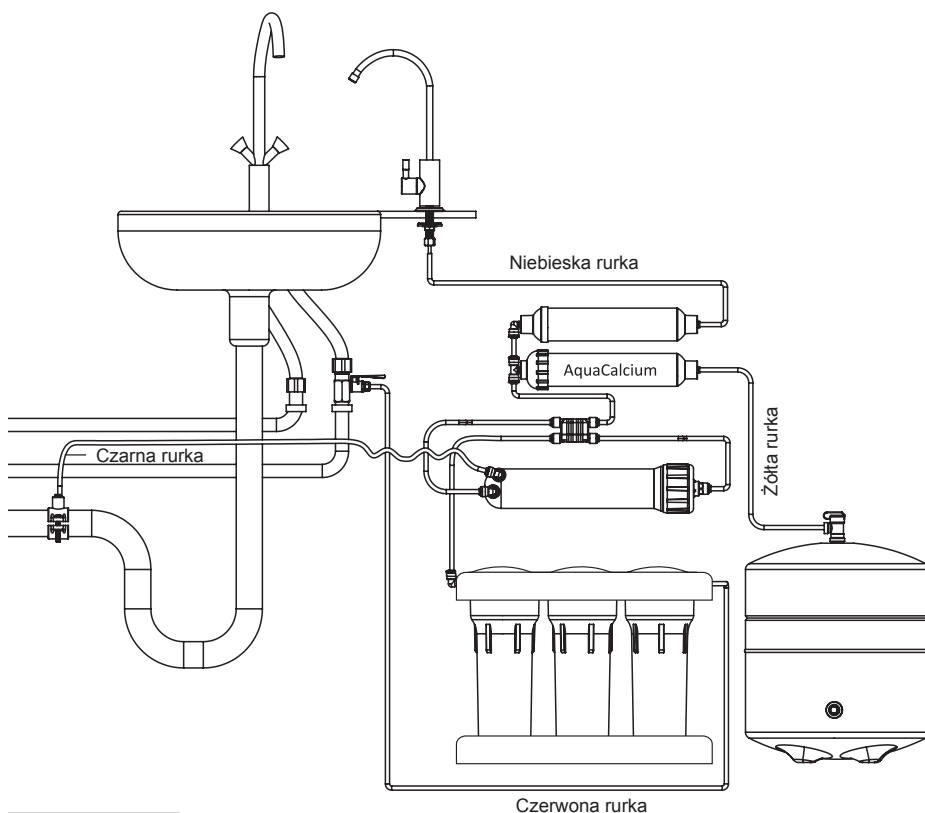
MO 6 75 M P BAL

MO 6 100 M P BAL

Producent zastrzega sobie prawo do wprowadzania zmian w projekcie/wykonaniu produktu, pod warunkiem że zmiany te nie spowodują pogorszenia właściwości użytkowych produktu.

3. SCHEMATY POŁĄCZEŃ

3.6. SCHEMAT POŁĄCZEŃ SYSTEMU PURE AQUACALCIUM



Modele

MO 6 50 MAC

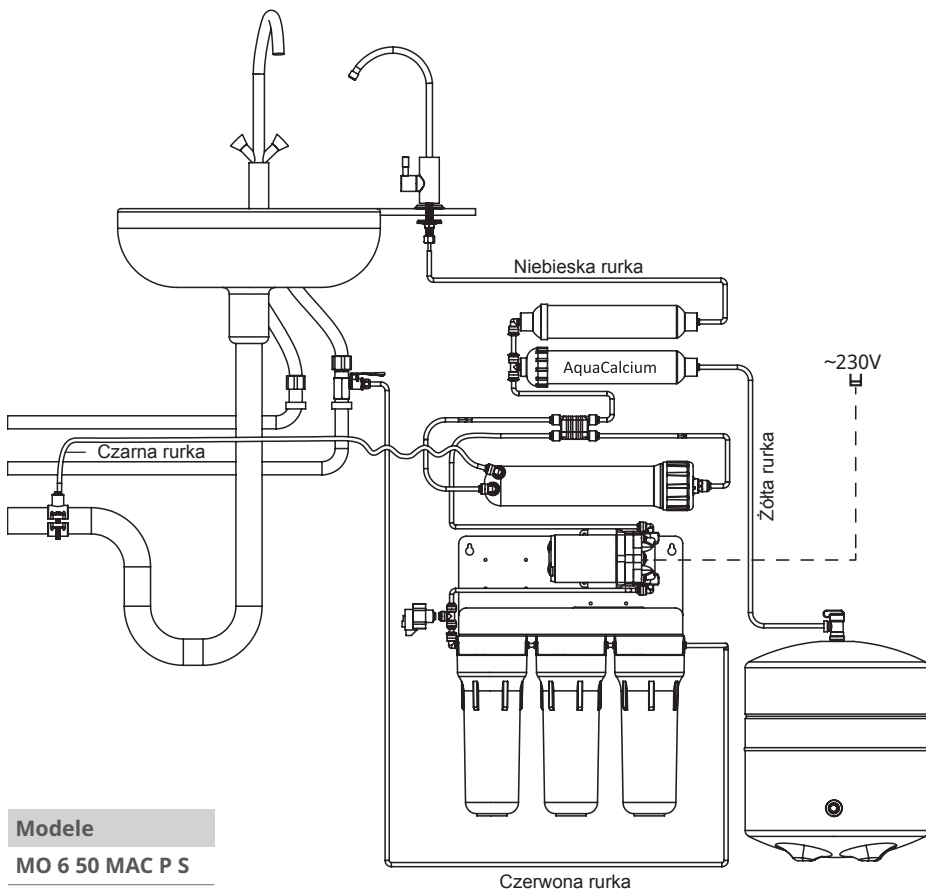
MO 6 75 MAC

MO 6 100 MAC

Producent zastrzega sobie prawo do wprowadzania zmian w projekcie/wykonaniu produktu, pod warunkiem że zmiany te nie spowodują pogorszenia właściwości użytkowych produktu.

3. SCHEMATY POŁĄCZEŃ

3.6.1 SCHEMAT POŁĄCZEŃ SYSTEMU PURE AQUACALCIUM Z POMPA



Modele

MO 6 50 MAC P S

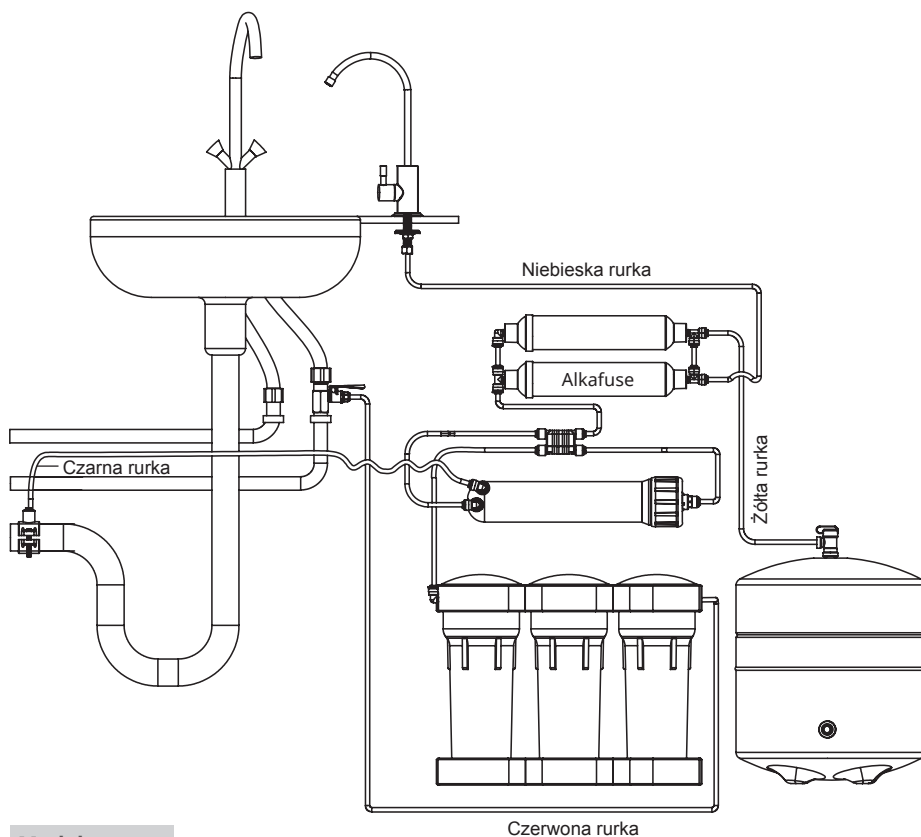
MO 6 75 MAC P S

MO 6 100 MAC P S

Producent zastrzega sobie prawo do wprowadzania zmian w projekcie/wykonaniu produktu, pod warunkiem że zmiany te nie spowodują pogorszenia właściwości użytkowych produktu.

3. SCHEMATY POŁĄCZEŃ

3.7. SCHEMAT POŁĄCZEŃ SYSTEMU PURE ALKAFUSE



Models

MO 6 50 ALC

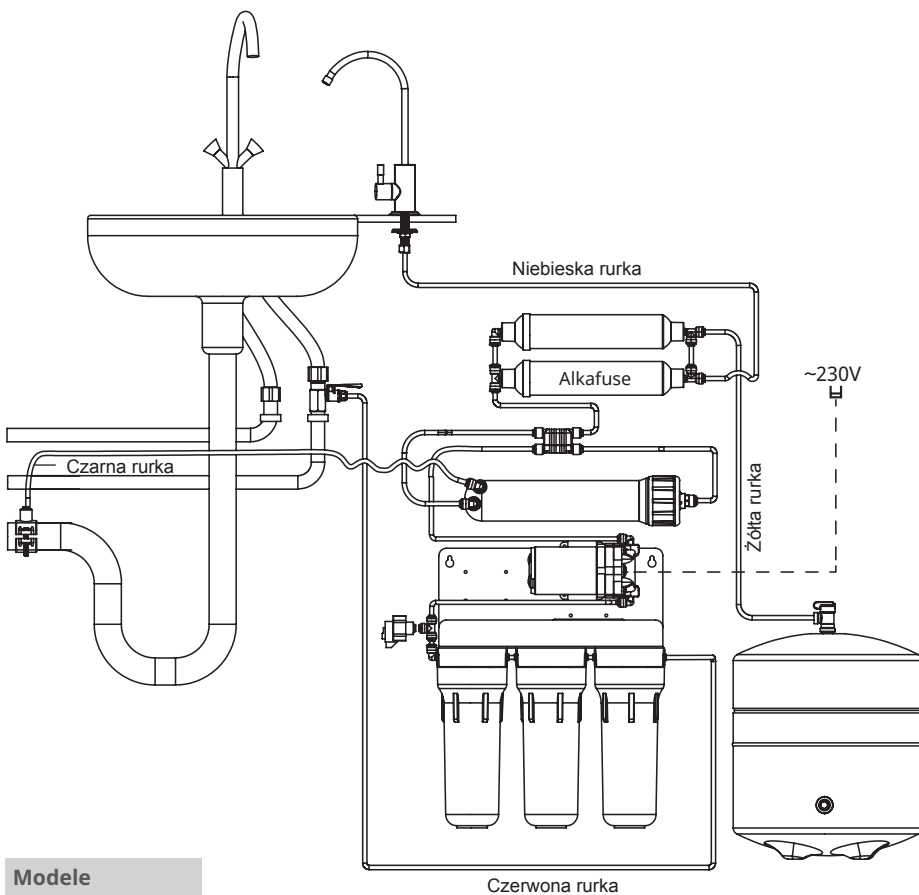
MO 6 75 ALC

MO 6 100 ALC

Producent zastrzega sobie prawo do wprowadzania zmian w projekcie/wykonaniu produktu, pod warunkiem że zmiany te nie spowodują pogorszenia właściwości użytkowych produktu.

3. SCHEMATY POŁĄCZEŃ

3.7.1 SCHEMAT POŁĄCZEŃ SYSTEMU PURE ALKAFUSE Z POMPA



Modele

MO 6 50 ALK P S

MO 6 75 ALK P S

MO 6 100 ALK P S

Producent zastrzega sobie prawo do wprowadzania zmian w projekcie/wykonaniu produktu, pod warunkiem że zmiany te nie spowodują pogorszenia właściwości użytkowych produktu.

4. PROCEDURA MONTAŻU SYSTEMU ODWRÓCONEJ OSMOZY



Przed zainstalowaniem systemu odwróconej osmozy należy uważnie przeczytać niniejszą instrukcję.



Ten system musi być zainstalowany zgodnie z lokalnymi przepisami.



System jest przeznaczony do uzdatniania zimnej wody!

4.1. SPRAWDZANIE PARAMETRÓW WEJŚCIOWYCH

1) Sprawdź, czy wszystkie elementy są obecne i prawidłowe. Przed sprawdzeniem nie należy otwierać przezroczystego opakowania, w którym zapakowane są części, ponieważ producent nie uznaje roszczeń z tytułu niekompletności, jeśli opakowanie zostanie otwarte.

2) Sprawdź zgodność:

Ciśnienie wlotowe*	Ciśnienie w zbiorniku membranowym*	Temperatura wody zasilającej*
Sprawdź ciśnienie wlotowe przed systemem odwróconej osmozy. Ciśnienie przed systemem musi odpowiadać ciśnieniu określone w punkcie 2.2.	Sprawdź ciśnienie w zbiorniku membranowym. Ciśnienie w zbiorniku membranowym musi odpowiadać ciśnieniu określone w punkcie 2.2.	Sprawdź temperaturę wody zasilającej. Temperatura wody zasilającej musi odpowiadać temperaturze określonej w punkcie 2.2.

*Jeśli parametry wody zasilającej nie spełniają wymagań, należy podjąć działania określone w punkcie 2.2.

— wymagań technicznych (punkt 2.2);

— jakości wody** dostarczonej do systemu odwróconej osmozy (punkt 2.3).

**Jeśli jakość wody dostarczanej do systemu nie spełnia określonych wymagań, należy skontaktować się z firmą zajmującą się uzdatnianiem wody.



3) System odwróconej osmozy musi być chroniony przed wysokim ciśnieniem i nagłymi spadkami ciśnienia, które mogą wystąpić ze względu na specyfikę lokalnego systemu zaopatrzenia w wodę. Na wlocie do systemu należy zainstalować regulator ciśnienia. Optymalne ciśnienie robocze dla systemu wynosi 3,5 bara (52,5 psi), regulator ciśnienia jest ustawiony na tę wartość przez producenta. Niezainstalowanie regulatora ciśnienia może spowodować uszkodzenie elementów ciśnieniowych i unieważnienie gwarancji.

4) Przed instalacją systemu należy przygotować obszar pod zlewozmywakiem. Upewnij się, że jest wystarczająco dużo miejsca na system i zbiornik. Jeśli pod zlewozmywakiem nie ma wystarczającej ilości miejsca, system można zainstalować oddzielnie od zbiornika w odległości równej długości rurki przyłączeniowej.

5) Przed podłączeniem specjalista musi zapisać datę, ciśnienie wlotowe, temperaturę wody i dostępność analizy wody zasilającej w dzienniku uruchomienia (punkt 9.1). Informacje te są niezbędne do monitorowania warunków pracy systemu w celu zapewnienia prawidłowej regulacji i maksymalnej wydajności filtracji. Po montażu należy zarejestrować czas napełniania zbiornika i konwersję.

4. PROCEDURA MONTAŻU SYSTEMU ODWRÓCONEJ OSMOZY

Pomoże to ocenić wydajność systemu i zapewnić, że wszelkie nieprawidłowości, które mogą mieć wpływ na wydajność, zostaną wykryte w odpowiednim czasie.

6) Podłącz system zgodnie z zaleceniami zawartymi w niniejszej instrukcji.

4.2. INSTALACJA



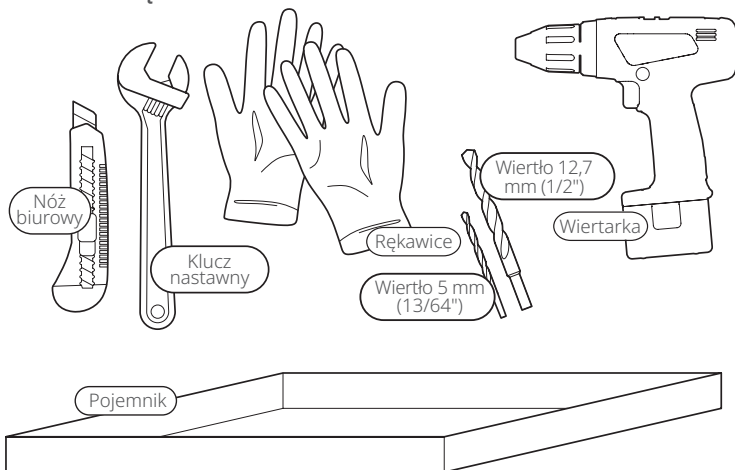
UWAGA!!! Ten system został przetestowany przez producenta pod kątem szczelności, dlatego dopuszczalne jest występowanie pozostałości wody wewnątrz systemu.

Przed montażem rurek wodnych, wkładów, membrany należy dokładnie umyć ręce wodą z mydłem dezynfekującym.

System należy zainstalować w miejscu chronionym przed bezpośrednim działaniem promieni słonecznych, z dala od urządzeń grzewczych.

PL

4.2.1 ZALECANE NARZĘDZIA MONTAŻOWE



Nie pozwalaj dzieciom poniżej 3 roku życia na kontakt z małymi częściami podczas instalacji lub serwisowania urządzenia.

Dzieci należy trzymać z dala od systemu filtracji i jego elementów bez nadzoru osoby dorosłej.

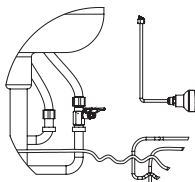
4.2.2 PROCEDURA MONTAŻU

1.	Wymij system odwróconej osmozy z opakowania i sprawdź jego zawartość. Nie otwieraj opakowania z elementami. Należy zachować ostrożność, ponieważ producent nie uznaje roszczeń z tytułu niekompletności, jeśli opakowanie zostało rozpieczętowane.
2.	Zakręć zawór zimnej wody przy wejściu do mieszkania/domu i otwórz kran wody surowej w miejscu instalacji filtra (na zlewomywaku), aby uwolnić ciśnienie w systemie, a następnie zamknij kran.

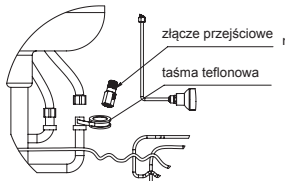
4. PROCEDURA MONTAŻU SYSTEMU ODWRÓCONEJ OSMOZY

3. Przykręć złącze przejściowe **4** do przewodu zimnej wody. Wkręć zawór doprowadzania wody **5** w złącze przejściowe **4**. Aby uniknąć ewentualnych wycieków wody, do uszczelnienia należy użyć taśmy teflonowej. Rozmiar przyłączy jest dostosowany do najpopularniejszych rozmiarów rur — 1/2" i 3/8". Jeśli instalacja rurowa w lokalu ma inne wymiary, należy przygotować odpowiednie adaptery.

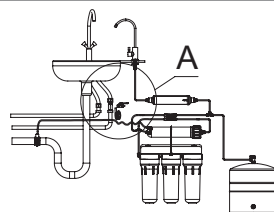
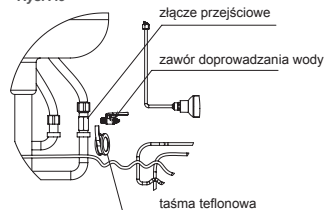
Rys. A1



Rys. A2



Rys. A3



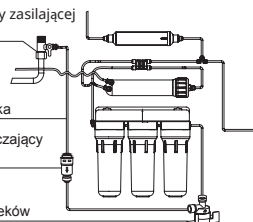
4. Odkręć nakrętkę złączkową z króćca zaworu doprowadzania wody **5** i umieść ją na czerwonej rurce. Mocno naciągnij czerwoną rurkę na króciec zaworu **5** i dokręć nakrętkę złączkową. Podłącz drugi koniec czerwonej rurki do szybkozłączki pierwszej (skrajnej prawej) obudowy modułu filtrującego. Od kranu wody dopływowej wzdłuż czerwonej rurki pierwszym elementem jest mini reduktor ciśnienia*. Ustaw reduktor ciśnienia* zgodnie ze strzałką na obudowie (kierunek przepływu wody). Za reduktorem zainstaluj czujnik przepływu*. Wyjście czujnika przepływu za pomocą czerwonej rurki podłącz do filtra odwróconej osmozy. Zainstaluj czujnik przepływu* ściśle poziomo na równej powierzchni pod systemem, aby element pochłaniający mógł działać prawidłowo.

adapter wody zasilającej z zaworem

czerwona rurka

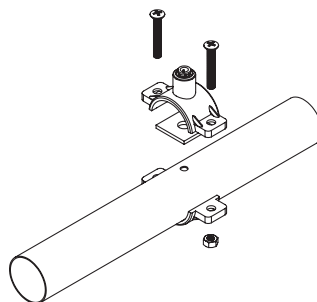
zawór ograniczający ciśnienie

detektor wycieków



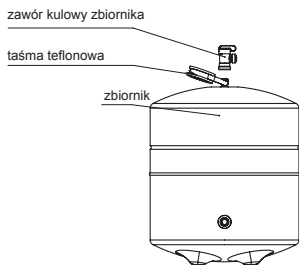

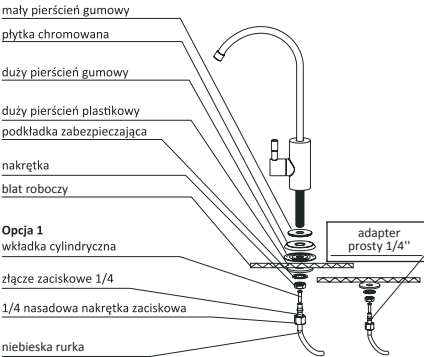
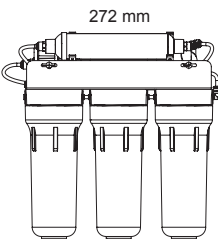
5. Podłącz obejmę zaciskową **8** do syfonu odpływowego zlewozmywaka. Obejma zaciskowa pasuje do większości standardowych rur kanalizacyjnych. Wywierć otwór o średnicy 5,0 mm w rurce odpływowej zlewozmywaka i nałóż na niego samoprzylepny uszczelniacz (w zestawie). Zamontuj obejmę zaciskową **8** tak, aby otwór w rurce odpływowej pokrywał się z otworem (złączką) w obejmie. Za pomocą śrubokręta dokręć śruby obejmy zaciskowej. Weź czarną rurkę i włóż ją do złączki obejmy zaciskowej. Podłącz drugi koniec czarnej rurki do szybkozłączki obudowy membrany.

WAŻNE!!! Sprawdź obecność regulatora przepływu 12, który musi być zainstalowany w czarnej rurce po stronie połączenia z obudową membrany.

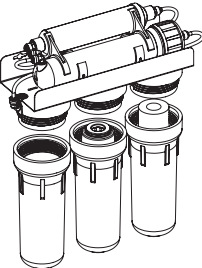
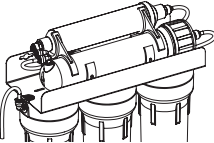
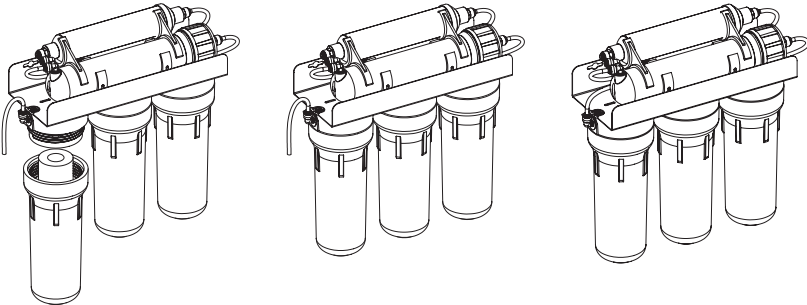


*Dodano do zestawu filtrów odwróconej osmozy od daty produkcji 01.01.2026.

4. PROCEDURA MONTAŻU SYSTEMU ODWRÓCONEJ OSMOZY

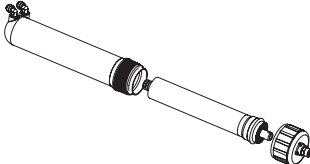
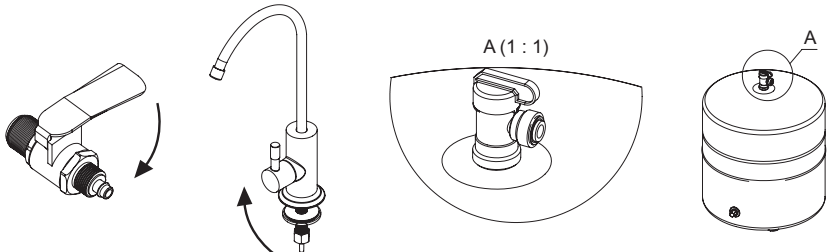
6.	<p>Szczelnie owiń taśmą teflonową gwintowaną część zbiornika 2 i przykręć zawór kulowy zbiornika 6. Ciśnienie w zbiorniku powinno wynosić 0,4–0,6 bara. W razie potrzeby zwiększ ciśnienie za pomocą pompy z manometrem. W razie potrzeby zmniejsz ciśnienie, naciskając nypel zbiornika.</p>	 <p>zawór kulowy zbiornika taśma teflonowa zbiornik</p>
7.	Podłączenie wylewki do wody uzdatnionej	
7.1	<p> Jeśli Twój zlewozmywak nie posiada otworu na wylewkę wody uzdatnionej, należy go wywiercić.</p> <p>Aby zainstalować wylewkę do wody oczyszczonej 3, należy wywiercić otwór o średnicy 12,5 mm w dogodnym miejscu na zlewozmywaku lub blacie kuchennym.</p> <p>UWAGA!!! Metalowe wióry mogą uszkodzić zlewozmywak, dlatego należy je usunąć natychmiast po wywierceniu otworu. Jeśli montowana powierzchnia jest ceramiczna lub kamienna, może być potrzebne specjalne wiertło z węglików spiekanych.</p>	
7.2	Zamontuj wylewkę na blacie lub zlewozmywaku. Nakrętka, podkładka zabezpieczająca i duży plastikowy pierścień powinny przytrzymać wylewkę na blacie.	
7.3	Weź niebieską rurkę, nałóż na nią kolejno nasadową nakrętkę zaciskową i złącze zaciskowe, a następnie włóż cylindryczną wkładkę do rurki.	
7.4	Nakręć nasadową nakrętkę zaciskową na króciec zainstalowanej wylewki, kierując rurkę do środka króćca i dociskając złącze zaciskowe. Po instalacji wylewka musi być mocno przymocowana do blatu kuchennego, a niebieska rurka musi być ciasno dopasowana do przyłącza wylewki.	 <p>mały pierścień gumowy płytką chromowaną duży pierścień gumowy duży pierścień plastikowy podkładka zabezpieczająca nakrętka blat roboczy Opcja 1 wkładka cylindryczna złącze zaciskowe 1/4 1/4 nasadowa nakrętka zaciskowa niebieska rurka adapter prosty 1/4"</p> <p>Wybierz wersję kompletnego zestawu do podłączenia fasetki</p>
7.5	Podłączenie podwójnej wylewki (w przypadku modeli z odpowiednim wyposażeniem) odbywa się w taki sam sposób, jak w przypadku pojedynczej wylewki.	
8.	Wybierz ścianę, na której chcesz umieścić filtr i wkręć 2 śruby do mocowania filtra (brak w zestawie) tak, aby dno obudów znajdowało się co najmniej 100 mm od podłogi.	 <p>272 mm</p>

4. PROCEDURA MONTAŻU SYSTEMU ODWRÓCONEJ OSMOZY

9.	<p>Umieść wkłady w pierwszej i drugiej obudowie zgodnie z kierunkiem przepływu wody (od prawej do lewej).</p> <p>Jeśli wkłady do modeli PURE są zamontowane wewnątrz obudowy filtra, należy wypuścić powietrze, wyciągając kolorowe zatyczki (może to spowodować wydanie dźwięku).*</p>	
10.	<p>Przykręć wszystkie trzy obudowy bez użycia nadmiernej siły.</p>	
11.	<p>Odłącz rurkę łączącą trzecią obudowę zgodnie z kierunkiem przepływu wody z autoregulatorem.</p>	
12.	<p>Otwórz zawór doprowadzania wody 5 i przepuść 5–7 litrów wody przez dwie pierwsze obudowy z wkładami, aby wypłukać pył węglowy, który może tworzyć się we wkładach podczas transportu.</p> <p>UWAGA!!! Woda ta będzie wylewana przez rurkę oddzielną od autoregulatora, więc potrzebny będzie pojemnik do jej zbierania.</p>	
13.	<p>Włóż wkład do trzeciej obudowy zgodnie z kierunkiem przepływu wody, zakręć obudowę i ponownie przepuść co najmniej 4 litry wody w celu wypłukania pyłu węglowego. Zakręć zawór doprowadzania wody 5 i podłącz wcześniej oddzielną rurkę do autoregulatora.</p>	 <p>Jeśli w zestawie filtra odwróconej osmozy wkłady do wstępnego oczyszczania zawierają tylko CTO Aquagreen i/lub CTO (bez filtra węglowego GAC), można pominąć punkty 9–14.*</p> <p>Jeśli wkłady do modeli PURE są zainstalowane wewnątrz obudowy filtra, należy wypuścić powietrze, wyciągając kolorowe zatyczki. W przypadku takich filtrów można również pominąć punkty 9–14.*</p>

*Dodano do zestawu filtrów odwróconej osmozy od daty produkcji 01.01.2026.

4. PROCEDURA MONTAŻU SYSTEMU ODWRÓCONEJ OSMOZY

14.	<p>Zainstaluj membranę odwróconej osmozy 11 w przewidzianej do tego celu obudowie. UWAGA!!! Membrana odwróconej osmozy jest instalowana przez cięcie czołowe opakowania. Nie wyjmuj membrany z opakowania i unikaj kontaktu z jej powierzchnią.</p>	
15.	<p>Pozostaw zawór doprowadzania wody 5 i wylewkę do wody oczyszczonej 3 otwartymi przez 30 minut. Przekręć zawór kulowy 6 na zbiorniku 2 do pozycji „Otwarty”. Zakręć wylewkę do wody oczyszczonej 3 i dokładnie sprawdź szczelność wszystkich połączeń. UWAGA!!! Przez pierwsze dwa tygodnie należy codziennie sprawdzać szczelność systemu, a następnie robić to od czasu do czasu. W przypadku dłuższej niż 2 dni nieobecności — podróży służbowej lub wakacji — należy wyłączyć dopływ wody do systemu.</p>	
16.	<p>Po napełnieniu zbiornika (słychać będzie zatrzymanie przepływu wody) spuść wodę ze zbiornika do kanalizacji, otwierając wylewkę do wody oczyszczonej 3. Gdy ciśnienie wody spadnie, zamknij wylewkę do wody oczyszczonej 3, aby umożliwić ponowne napełnienie zbiornika. W zależności od ciśnienia w sieci wodociągowej napełnienie zbiornika może zająć od 1,5 do 3 godzin. Opróżnij 2–3 zbiorniki wody. Następnie można pić oczyszczoną wodę. Możliwe jest, że cząsteczki węgla dostaną się do oczyszczonej wody z węglowego filtra końcowego zainstalowanego na etapie końcowym. Jest to zjawisko normalne i nie ma wpływu na jakość uzdatnionej wody. W przypadku modeli filtrów z mineralizatorem po instalacji oczyszczona woda może być lekko mętna. Dodatkowo należy spuścić kilka zbiorników oczyszczonej wody do kanalizacji.</p>	

5. PROCEDURA POSTĘPOWANIA PO MONTAŻU

SPRAWDZANIE ZGODNOŚCI SYSTEMU ZE SPECYFIKACJAMI TECHNICZNYMI

1. Szacowanie czasu napełnienia zbiornika. Zbiornik jest pełny w momencie zatrzymania zrzutu koncentratu do kanalizacji. Uzyskana wartość zależy od ciśnienia wylotowego systemu zaopatrzenia w wodę.

5. PROCEDURA POSTĘPOWANIA PO MONTAŻU

2. Określenie konwersji. Do tego celu potrzebne są: miarka o pojemności co najmniej 1 litra, stoper. Zakręć zawór kulowy zbiornika **6** i odkręć wylewkę do wody oczyszczonej **3**. Za pomocą miarki sprawdź czas potrzebny do napełnienia pojemnika permeatem t_{permeat}. Następnie zakręć wylewkę do wody oczyszczonej. Odłącz czarną rurkę odpływową od złączki obejmy zaciskowej. Odkręć wylewkę do wody oczyszczonej **3** i zawór doprowadzania wody **5** i za pomocą miarki zmierz czas potrzebny do napełnienia tej samej objętości koncentratem t_{koncentrat}. Następnie zakręć zawory **3** i **5** i otwórz zawór kulowy zbiornika **6**. Użyj następującego wzoru, aby obliczyć konwersję:

$$R, \% = \frac{t_{\text{koncentrat}}}{t_{\text{permeat}} + t_{\text{koncentrat}}} \times 100 \%$$

gdzie R to konwersja, %; t_{koncentrat} to czas napełniania zbiornika koncentratem, min; t_{permeat} to czas napełniania zbiornika permeatem, min.

W zależności od jakości wody zasilającej, temperatury wody i ciśnienia przed membraną, konwersja może się różnić. Normalny współczynnik konwersji powinien mieścić się w zakresie 10–20%.

3. Sprawdzenie wartości TDS wody zasilającej, TDS permeatu za pomocą skalibrowanego miernika TDS.

4. Sprawdzenie działania autoregulatora. Przy pełnym zbiorniku i zamkniętą wylewką do wody oczyszczonej zakręć zawór kulowy zbiornika **6**. Wypływ koncentratu powinien zatrzymać się w ciągu 10 minut.

5. Sprawdzenie szczelności systemu.

6. Poinformowanie właścicieli systemu o zasadach konserwacji systemu, zalecając im zapoznanie się z niniejszą instrukcją.



Dokonanie zapisu uruchomienia w dzienniku konserwacji w punkcie 9.1 niniejszego paszportu.

6. ZASADY EKSPLOATACJI

1) Przeznaczenie systemu

Domowy system odwróconej osmozy jest przeznaczony do uzdatniania wyłącznie zimnej wody.

2) Wymiana wkładów oczyszczania wstępnego

Jeśli czas napełniania zbiornika wydłużył się, może to oznaczać, że zestaw wkładów wstępnego oczyszczania osiągnął koniec okresu eksploatacji i wymaga natychmiastowej wymiany. Opóźnienie wymiany wkładów może spowodować uszkodzenie lub zniszczenie membrany. Aby uniknąć takich krytycznych sytuacji, zdecydowanie zalecamy wymianę zestawu wkładów do wstępnego oczyszczania wody co najmniej raz na 6 miesięcy. Ważne jest, aby wkłady były kompatybilne z posiadanym modelem filtra.

6. ZASADY EKSPLOATACJI

3) Wymiana membrany odwróconej osmozy

Jeśli współczynnik filtracji znacznie spadnie, może to oznaczać konieczność wymiany membrany odwróconej osmozy. Aby zapewnić stałą jakość wody, zalecamy wymianę membrany odwróconej osmozy co najmniej raz na 1–1,5 roku. Jeśli poziom TDS (Total Dissolved Solids) w oczyszczonej wodzie przekracza dopuszczalny poziom, jest to również sygnał do wymiany membrany.

4) Dezynfekcja i wymiana wkładów filtracyjnych

W przypadku dłuższych przerw w działaniu systemu (ponad 2 tygodnie), konieczna jest dezynfekcja systemu zgodnie z opisem w punkcie 7, a także wymiana wszystkich elementów filtrujących. Pozwoli to uniknąć gromadzenia się mikroorganizmów i zapewni wysoką jakość wody po jego użyciu. Dezynfekcja systemu obejmuje również czyszczenie rurek i zbiornika wody, aby zapobiec rozwojowi bakterii lub pleśni.

5) Odcięcie dopływu wody na dłuższy czas

Jeśli nie planujesz korzystać z systemu przez dłuższy czas (ponad 2 dni, na przykład podczas wakacji lub podróży służbowej), zaleca się odcięcie dopływu wody do systemu. Pomoże to uniknąć wycieków wody lub potencjalnego uszkodzenia systemu, zwłaszcza w przypadku nieprzewidzianych sytuacji, takich jak spadki ciśnienia lub problemy z zasilaniem. Ważne jest również sprawdzenie wszystkich połączeń pod kątem wycieków przed pozostawieniem systemu bez nadzoru.

6) Sprawdzenie ciśnienia wody

Woda powinna być dostarczana do systemu pod ciśnieniem zgodnym z parametrami zalecanymi przez producenta (zwykle 2–4,5 bara). Jeśli ciśnienie wody jest zbyt niskie, system może nie działać wydajnie, a jeśli jest zbyt wysokie, może uszkodzić membranę. Użycie reduktora ciśnienia wody do regulacji ciśnienia jest obowiązkowe.

7) Montaż reduktora ciśnienia przed systemem odwróconej osmozy

System odwróconej osmozy musi być chroniony przed wysokim ciśnieniem i nagłymi spadkami ciśnienia, które mogą wystąpić ze względu na specyfikę lokalnego systemu zaopatrzenia w wodę. Na wlocie do systemu należy zainstalować regulator ciśnienia. Optymalne ciśnienie robocze dla systemu wynosi 3,5 bara (52,5 psi). Niezainstalowanie regulatora ciśnienia może spowodować uszkodzenie elementów ciśnieniowych i unieważnienie gwarancji.

8) Nie używaj systemu do uzdatniania wody zawierającej oleje, rozpuszczalniki lub agresywne chemikalia

Odwrócona osmoza nie nadaje się do uzdatniania wody zawierającej rozpuszczalniki organiczne, oleje lub inne agresywne chemikalia. Takie zanieczyszczenia mogą uszkodzić membranę i zmniejszyć wydajność filtracji. Do oczyszczania wody z takimi zanieczyszczeniami wymagane są specjalistyczne systemy filtracji.

6. ZASADY EKSPLOATACJI

9) Czyszczenie elementów zewnętrznych

Aby utrzymać czystość i bezpieczeństwo systemu, należy czyścić elementy zewnętrzne (np. obudowę, złącza) miękką szmatką zwilżoną roztworem detergentu. Należy unikać stosowania silnych środków chemicznych, które mogą uszkodzić powierzchnię i elementy systemu.

10) Monitorowanie działania systemu

Okresowo sprawdzaj system pod kątem zmian wydajności i poziomu wody w zbiorniku. Jeśli system zacznie działać na obniżonym poziomie lub jeśli pojawią się nietypowe dźwięki lub zapachy, może to być sygnał do natychmiastowego serwisu lub wymiany elementów.

11) Podczas każdego przeglądu systemu należy odnotować datę i wykonane czynności w dzienniku konserwacji

Dla wygody i prawidłowego działania systemu odwróconej osmozy zaleca się prowadzenie dziennika konserwacji. Należy w nim zapisywać daty wymiany wkładów, membrany i innych elementów, a także daty dezynfekcji i innych ważnych prac.

12) Należy sprawdzać szczelność systemu

Sprawdź szczelność systemu. W przypadku wykrycia wycieków należy skontaktować się z działem obsługi klienta.

13) Aby zapobiec wyciekom i zapewnić prawidłowe działanie filtra, pierścienie uszczelniające umieszczone w kolbach elementów filtrujących należy wymieniać co najmniej raz w roku.

Nieprzestrzeżenie tego wymogu może spowodować awarię systemu i wycieki.

14) Mini reduktor ciśnienia

Zamontuj reduktor na wężu wlotowym filtra, kierując się strzałką na obudowie, która wskazuje kierunek przepływu wody.

15) Czujnik wycieku

Zamontuj czujnik poziomo pod systemem na równej powierzchni — między reduktorem ciśnienia a filtrem.

Ostrzeżenie dotyczące gwarancji:

Gwarancja nie obejmuje uszkodzeń spowodowanych nieprawidłowym użytkowaniem systemu, takim jak niewłaściwe użytkowanie, nieprawidłowa konserwacja lub modyfikacje, brak reduktora ciśnienia lub używanie wody zawierającej agresywne chemikalia. Nieprzestrzeżenie zaleceń dotyczących wymiany wkładów, membrany, sprawdzania ciśnienia wody lub dezynfekcji może spowodować unieważnienie gwarancji.

6. ZASADY EKSPLOATACJI

6.1. PRZEZNACZENIE ELEMENTÓW I ICH WYMIANA

Stopień filtracji	Nazwa wkładu	Częstotliwość wymiany
Pierwszy, drugi, trzeci	Ecosoft Polipropylenowy filtr wstępny (5 mikronów) Ecosoft Filtr z granulowanym węglem aktywnym Ecosoft AquaGreen CTO Ecosoft Polipropylenowy filtr wstępny (1 mikronów) Ecosoft CTO Ecosoft Polipropylenowy filtr wstępny (5 mikronów) o działaniu bakteriostatycznym Wkład gradientowy Ecosoft z pianki polipropylenowej (20/5 mikronów)	1 raz na 3 miesiące dla wszystkich modeli filtrów odwróconej osmozy, z wyjątkiem modeli z technologią AquaGreen 1 raz na 6 miesięcy dla modeli z technologią AquaGreen
Czwarty	Membrana odwróconej osmozy Ecosoft 50 GPD* Membrana odwróconej osmozy Ecosoft 75 GPD* Membrana odwróconej osmozy Ecosoft 100 GPD*	1 raz w roku
Piąty, szósty	Ecosoft Węglowy filtr końcowy Ecosoft Balance Ecosoft Mineralizator filtr końcowy Ecosoft Alkafuse Ecosoft AquaCalcium	1 raz na 6 miesięcy

* Ten system odwróconej osmozy zawiera wymienny element oczyszczający, który ma kluczowe znaczenie dla skutecznej redukcji całkowitej ilości rozpuszczonych substancji stałych. Należy przeprowadzać okresowe badania wody zasilającej, aby upewnić się, że system działa prawidłowo.



Aby zakupić wymienne wkłady do swojego modelu filtra, odwiedź stronę <https://ecosoft.com/pl/>

KOMPATYBILNOŚĆ WKŁADÓW Z MODELAMI FILTRÓW

Seria Standard

Typ wkładu	Zalecany okres wymiany*, miesiące	Model filtra	
		MO550PECOSTD	MO650MECOSTD
Wkłady filtra wstępnego	3	CPV3ECOSTD or CHV3ECO	
Element membranowy	12	CSV181250ECO	
Węglowy filtr końcowy	6	CHV2010ECOPKG	
Mineralizator filtr końcowy	6	—	PD2010ECOPKG

*Częstotliwość wymiany wkładów zależy od jakości wody doprowadzanej, maksymalny okres użytkowania elementów wymiennych od momentu montażu wynosi 2 lata.

6. ZASADY EKSPLOATACJI

Typ wkładu	Zalecany okres wymiany*, miesiące	Model filtra		
		MO550MECOSTD	MO550MPECOSTD	MO550MPSECOSTD
Wkłady filtra wstępnego	Co 3		CPV3ECOSTD	
Element membranowy	Co 12		CSV181250ECO	
Węglowy filtr końcowy	Co 6	—	—	—
Mineralizator filtr końcowy	Co 6		PD2010ECOPKG	

Absolute series

Typ wkładu	Zalecany okres wymiany*, miesiące	Model filtra	
		MO675MECO	MO675MPSECO
Zestaw wkładów filtra wstępnego i mineralizator i/lub filtr końcowy	every 6	CHV5ECOABS	
Zestaw wkładów filtra wstępnego i mineralizator i/lub filtr końcowy z elementem membranowym	every 12	CHV6ECOABS	

PURE series

Typ wkładu	Zalecany okres wymiany*, miesiące	Model filtra		
		MO675MPUREBALECO MO675MBALPSECO	MO675PUREMACECO MO675PSMACECO	MO675ALCPUREECO MO675MALCPSECO
Zestaw wkładów filtra wstępnego i mineralizator i/lub filtr końcowy	6	CHV5PUREBAL	CHV5PUREMAC	CHV5PUREALC
Zestaw wkładów filtra wstępnego i mineralizator i/lub filtr końcowy z elementem membranowym	12	CHV6PUREBAL	CHV6PUREMAC	CHV6PUREALC

*Częstotliwość wymiany wkładów zależy od jakości wody doprowadzanej, maksymalny okres użytkowania elementów wymiennych od momentu montażu wynosi 2 lata.

6. ZASADY EKSPLOATACJI



Jeśli jakość wody zasilającej ulegnie pogorszeniu, żywotność wkładów może ulec skróceniu.



System powinien być serwisowany wyłącznie przez wykwalifikowanego serwisanta.



Wkłady filtra wstępnego należy wymieniać raz na 3 miesiące w przypadku wszystkich modeli filtrów, z wyjątkiem modeli z filtrem AquaGreen. W przypadku modeli z filtrem AquaGreen wymiana odbywa się raz na 6 miesięcy.

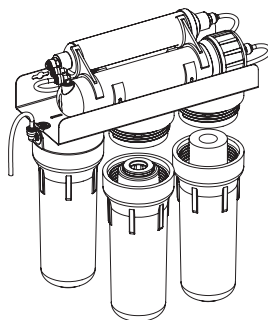


Aby zakupić wymienne wkłady, odwiedź stronę <https://ecosoft.com/pl/>

PL

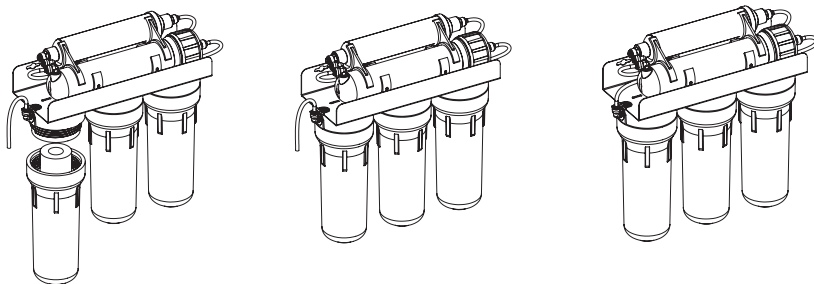
6.2. PROCEDURA WYMIANY WKŁADÓW FILTRA WSTĘPNEGO

1.	Zakręć zawór doprowadzania wody 5 , przekręć zawór kulowy zbiornika 6 do pozycji „Zamknięty”.
2.	Dokładnie umyj ręce mydłem antybakteryjnym.
3.	Odkręć pierwszą i drugą obudowę za pomocą klucza zgodnie z kierunkiem przepływu wody. Zachowaj ostrożność, obudowy są wypełnione wodą.
4.	Wymij zużyte wkłady.
5.	Dokładnie umyj obudowy bezzapachowym mydłem i czystą gąbką, a następnie dokładnie spłucz wodą.
6.	Umieść nowe wkłady w pierwszej i drugiej obudowie zgodnie z kierunkiem przepływu wody (od prawej do lewej).
6.1	Jeśli w zestawie wkładów do filtra odwróconej osmozy znajdują się tylko wkłady CTO Aquagreen i/lub CTO (bez filtra węglowego GAC), można pominąć punkty 7–11.
7.	Odłącz rurkę łączącą trzecią obudowę zgodnie z kierunkiem przepływu wody z autoregulatorem.
8.	Otwórz zawór doprowadzania wody 5 i przepuść 5–7 litrów wody przez dwie pierwsze obudowy z wkładami, aby wypłukać pył węglowy, który może tworzyć się we wkładach podczas transportu. UWAGA!!! Woda ta będzie wylewana przez rurkę oddzielną od autoregulatora, więc potrzebny będzie pojemnik do jej zbierania.



6. ZASADY EKSPLOATACJI

9. Odkręć kluczem trzecią obudowę zgodnie z kierunkiem przepływu wody. Zachowaj ostrożność, obudowa jest wypełniona wodą.
10. Wyjmij zużyty wkład i dokładnie umyj obudowę bezzapachowym mydłem i czystą gąbką, a następnie dokładnie spłucz wodą.
11. Włóż wkład do trzeciej obudowy zgodnie z kierunkiem przepływu wody, zakręć obudowę i ponownie przepuść co najmniej 4 litry wody w celu wypłukania pyłu węglowego. Zakręć zawór doprowadzania wody **5** i podłącz wcześniej oddzielną rurkę do autoregulatora.



13. Otwórz zawór kulowy zbiornika **6**.
14. Otwórz zawór doprowadzania wody w systemie **5**.

6.3. PROCEDURA WYMIANY MEMBRANY



System powinien być serwisowany wyłącznie przez wykwalifikowanego serwisanta.



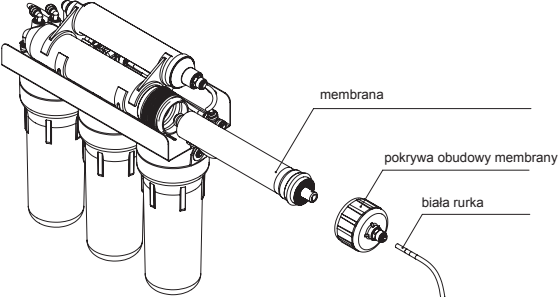
Aby zakupić wymienne wkłady, odwiedź stronę <https://ecosoft.com/pl/>



Regulowaną wymianę membrany odwróconej osmozy należy przeprowadzać raz w roku.

(Wymianę membrany przeprowadza serwisant).

6. ZASADY EKSPLOATACJI

1.	Zakręć zawór doprowadzania wody w systemie 5 , przekręć zawór kulowy zbiornika 6 do pozycji „Zamknięty”.
2.	Odkręć wylewkę do wody oczyszczonej 3 , aby uwolnić ciśnienie w systemie.
3.	Odłącz białą rurkę od pokrywy obudowy membrany.
4.	Odkręć pokrywę obudowy membrany.
5.	Wymij zużyłą membranę odwróconej osmozy 11 (zapamiętaj jej położenie w obudowie).
	
6.	Nasmaruj gumowe uszczelki nowej membrany odwróconej osmozy 11 i uszczelki pokrywy obudowy membrany. UWAGA!!! Aby uniknąć uszkodzenia membrany, jako smaru należy używać wyłącznie jadalnej gliceryny.
7.	Zamontuj nową membranę odwróconej osmozy w obudowie, zwracając uwagę na kierunek i położenie rurek. UWAGA!!! Membrana odwróconej osmozy jest instalowana przez cięcie czołowe opakowania. Nie wyjmuj membrany z opakowania i unikaj kontaktu z jej powierzchnią.
8.	Zakręć pokrywę obudowy membrany.
9.	Podłącz białą rurkę do pokrywy obudowy membrany.
10.	Otwórz zawór doprowadzania wody 5 .
11.	Pozostaw zawór doprowadzania wody 5 i wylewkę do wody oczyszczonej 3 otwartymi przez 30 minut. Przekręć zawór kulowy 6 na zbiorniku 2 do pozycji „Otwarty”. Zakręć wylewkę do wody oczyszczonej 3 i dokładnie sprawdź szczelność wszystkich połączeń.
12.	Zakręć wylewkę do wody oczyszczonej 3 .
13.	Otwórz zawór kulowy zbiornika 6 .
14.	Po napełnieniu zbiornika (słychać będzie zatrzymanie przepływu wody) spuść wodę ze zbiornika do kanalizacji, odkręcając wylewkę do wody oczyszczonej 3 , aby zbiornik zaczął się ponownie napełniać. W zależności od ciśnienia w sieci wodociągowej napełnienie zbiornika może zająć od 1,5 do 3 godzin. Po drugim napełnieniu zbiornika można pić oczyszczoną wodę.

6. ZASADY EKSPLOATACJI

6.4. PROCEDURA WYMIANY WKŁADU WĘGLOWEGO I/LUB MINERALIZATORA



System powinien być serwisowany wyłącznie przez wykwalifikowanego serwisanta.

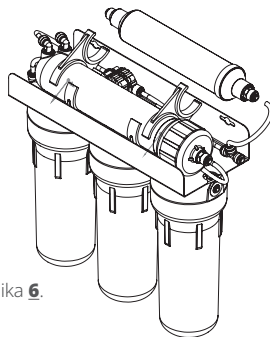


Aby zakupić wymienne wkłady, odwiedź stronę <https://ecosoft.ua/ua/>



Regulowaną wymianę membrany odwróconej osmozy należy przeprowadzać raz w roku.

1.	Zakręć zawór doprowadzania wody w systemie 5 , przekręć zawór kulowy zbiornika 6 do pozycji „Zamknięty”.
2.	Odkręć wylewkę do wody oczyszczonej 3 , aby uwolnić ciśnienie w systemie.
3.	Odłącz rurki łączące węglowy filtr końcowy i/lub mineralizator z systemem.
4.	Wyjmij zużyty węglowy filtr końcowy i/lub mineralizator z plastikowych uchwytów (klipsów).
5.	Zainstaluj nowy węglowy filtr końcowy i/lub mineralizator zgodnie ze strzałkami wskazującymi kierunek przepływu wody.
6.	Podłącz rurki łączące węglowy filtr końcowy i/lub mineralizator do systemu.
7.	Otwórz zawór doprowadzania wody 5 . Otwórz zawór kulowy zbiornika 6 .
8.	Spuść wodę ze zbiornika do kanalizacji, odkręcając wylewkę do wody oczyszczonej 3 . Gdy ciśnienie wody spadnie, zakręć wylewkę do wody oczyszczonej 3 , aby umożliwić ponowne napełnienie zbiornika. W zależności od ciśnienia w sieci wodociągowej napełnienie zbiornika może zająć od 1,5 do 3 godzin. Po drugim napełnieniu zbiornika można pić oczyszczoną wodę. W przypadku modeli filtrów z mineralizatorem po wymianie oczyszczona woda może być lekko mętna. Dodatkowo należy spuścić kilka zbiorników oczyszczonej wody do kanalizacji.



7. DEZYNFEKCJA SYSTEMU ODWRÓCONEJ OSMOZY



System powinien być serwisowany wyłącznie przez wykwalifikowanego serwisanta.

Zaleca się dezynfekcję filtrów wody pitnej po ich długotrwałym działaniu (~6 miesięcy), a także jeśli filtr nie był używany przez dłuższy czas (2 tygodnie). Zaleca się również dezynfekcję systemu podczas wymiany wkładów.

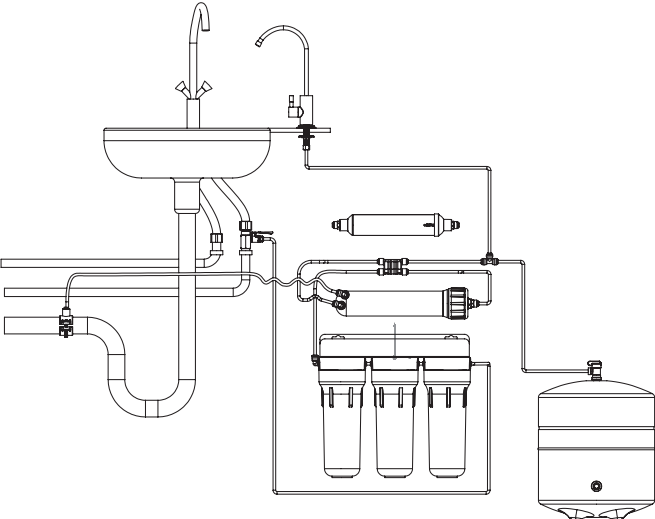
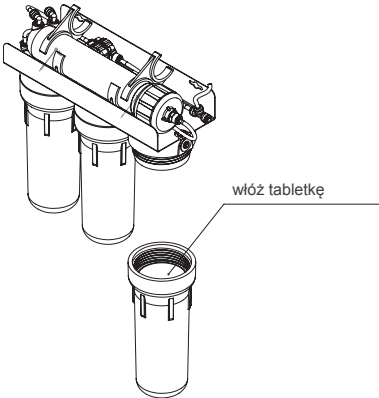
Do dezynfekcji zalecamy stosowanie tabletek z aktywnym chlorem.



Środek dezynfekujący jest szkodliwy! Należy przechowywać go w miejscu niedostępnym dla dzieci. Po użyciu środka dezynfekującego należy dokładnie umyć ręce.

1.	Zakręć zawór doprowadzania wody 5 , przekręć zawór kulowy zbiornika 6 do pozycji „Zamknięty”.
2.	Wyjmij i wyrzuć wkłady filtra wstępnego i węglowy filtr końcowy. <div data-bbox="625 646 996 1120" data-label="Image"> </div>
3.	Wyjmij membranę odwróconej osmozy, zapakuj ją hermetycznie i umieść w lodówce o temperaturze +2...+5°C (do wyjęcia elementu membrany można użyć szczypic okrągłych).
4.	Dokręć drugą i trzecią obudowę zgodnie z kierunkiem przepływu wody, obudowę membrany i podłącz rurkę od wylewki do wody oczyszczonej do trójnika zamiast węglowego filtra końcowego. <div data-bbox="660 1214 996 1494" data-label="Image"> </div>

7. DEZYNFEKCJA SYSTEMU ODWRÓCONEJ OSMOZY

4.	
5.	<p>Umieść tabletkę dezynfekującą w pierwszej obudowie. Napełnij obudowę wodą i zakręć.</p> 
6.	Po 15 minutach odkręć wylewkę do wody oczyszczonej 3 i zawór doprowadzania wody 5 .
7.	Gdy z wylewki do wody oczyszczonej zacznie wypływać woda o zapachu chloru, zakręć wylewkę do wody oczyszczonej 3 i zawór doprowadzania wody 5 .
8.	Pozostaw system wypełniony roztworem na 2–3 godziny.
9.	Odkręć wylewkę do wody oczyszczonej 3 i zawór doprowadzania wody 5 . Poczekaj, aż zniknie zapach chloru w wodzie z wylewki.
10.	Zainstaluj wszystkie elementy filtrujące w systemie, otwórz zawór kulowy zbiornika 6. Otwórz zawór doprowadzania wody 5 .
11.	Napełnij i opróżnij co najmniej dwa zbiorniki wody (aż do zniknięcia zapachu chloru).

7. DEZYNFEKCJA SYSTEMU ODWRÓCONEJ OSMOZY

7.1. DEZYNFEKCJA ZBIORNIKA MAGAZYNOWEGO



System powinien być serwisowany wyłącznie przez wykwalifikowanego serwisanta.

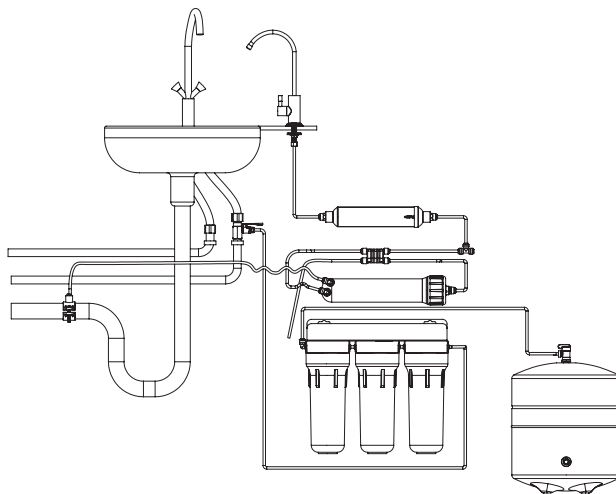


Środek dezynfekujący jest szkodliwy! Należy przechowywać go w miejscu niedostępnym dla dzieci. Po użyciu środka dezynfekującego należy dokładnie umyć ręce.

1.	Zakręć zawór doprowadzania wody 5 .
2.	Odkręć wylewkę do wody oczyszczonej 3 i wylej całą wodę do kanalizacji.
3.	Zamknij zawór kulowy zbiornika 6 .
4.	Wymij wkłady filtra wstępnego. <div data-bbox="655 704 922 1052" data-label="Image"> </div>
5.	Zakręć drugą i trzecią obudowę zgodnie z kierunkiem przepływu wody. <div data-bbox="652 1127 922 1481" data-label="Image"> </div>

7. DEZYNFEKCJA SYSTEMU ODWRÓCONEJ OSMOZY

- 6.** Odłącz rurkę prowadzącą do zbiornika od trójnika węglowego filtra końcowego i podłącz ją do złączki trzeciej obudowy.



- 7.** Umieść tabletkę dezynfekującą w pierwszej obudowie. Napełnij obudowę wodą i zakręć.
- 8.** Po 15 minutach otwórz zawór kulowy zbiornika **6**.
- 9.** Otwórz zawór doprowadzania wody **5** na 5 minut.
- 10.** Zamknij zawór kulowy zbiornika i pozostaw zbiornik wypełniony roztworem na 1–2 godziny.
- 11.** Spuść wodę ze zbiornika magazynowego **6**, odłączając jego rurkę od złączki trzeciej obudowy. Ponownie podłącz rurki do pierwotnego połączenia.
- 12.** Zainstaluj wkłady w systemie, otwórz zawór kulowy zbiornika **6** i zawór doprowadzania wody **5**.
- 13.** Napełnij i opróżnij co najmniej trzy zbiorniki wody (aż do zniknięcia zapachu chloru).

8. ROZWIĄZYWANIE PROBLEMÓW

Problem	Przyczyna	Środki zaradcze
Woda wycieka spod złączy	Rurki nie są szczelnie połączone	Odłącz i ponownie podłącz rurki
Wyciek spod obejmy zaciskowej	Obejma zaciskowa nie jest prawidłowo zamontowana	Prawidłowo zamontuj obejmę zaciskową
Wyciek spod obudowy	O-ring jest nieprawidłowo zamontowany	Sprawdź, czy o-ring jest prawidłowo zamontowany (w rowku obudowy), pierścień należy wymieniać nie rzadziej niż raz w roku.
	Obudowa nie jest wystarczająco mocno dokręcona	Mocno dokręć obudowę
Woda wypływa z wylewki bardzo powoli	Niskie ciśnienie na wlocie do systemu	Sprawdź ciśnienie wlotowe. Jeśli ciśnienie jest niższe niż 3 bary, zainstaluj pompę, aby zwiększyć ciśnienie.
	Wkłady filtra wstępnego są zabrudzone	Wymień wkłady filtra wstępnego
	Membrana jest zabrudzona	Wymień membranę
	Rurka łącząca jest ściśnięta	Sprawdź całą długość rurki
	Niskie ciśnienie w zbiorniku magazynowym	Ciśnienie w zbiorniku magazynowym bez wody powinno wynosić od 0,4 do 0,6 bara. W razie potrzeby zwiększ ciśnienie za pomocą pompy. Czynność ta jest wykonywana przez serwisanta (CS).
Zwiększony poziom hałasu	Powietrze w autoregulatorze	Powietrze zostanie usunięte z autoregulatora w sposób naturalny po pewnym czasie.
	Ciśnienie na wlocie systemu jest wyższe niż wymagane	Zainstaluj regulator ciśnienia. Skontaktuj się z centrum serwisowym (CS)
Stukanie autoregulatora	Wahania ciśnienia w sieci	Zainstaluj zawór zwrotny na wlocie wody do mieszkania. Sprawdź ciśnienie w suchym zbiorniku membranowym. Ciśnienie w zbiorniku magazynowym bez wody powinno wynosić od 0,4 do 0,6 bara. W razie potrzeby zwiększ ciśnienie za pomocą pompy. Czynność ta jest wykonywana przez serwisanta

8. ROZWIĄZYWANIE PROBLEMÓW

Woda stale sphywa do odpływu	Niskie ciśnienie na wlocie do systemu	Sprawdź ciśnienie wlotowe. Jeśli ciśnienie jest niższe niż 3 bar. — zainstaluj pompę, aby zwiększyć ciśnienie
	Wkłady filtra wstępnego są zabrudzone	Wymień wkłady filtra wstępnego
	Membrana jest zabrudzona	Wymień membranę
	Uszkodzony autoregulator	Sprawdź działanie autoregulatora (przy zamkniętym zaworze kulowym zbiornika, autoregulator powinien odciąć dopływ wody do systemu w ciągu kilku minut). Skontaktuj się z centrum serwisowym (CS)
	Uszkodzony zawór zwrotny w obudowie membrany	Jeśli zawór zwrotny jest uszkodzony, zbiornik jest pełny, a wypływ wody do odpływu się nie zatrzymuje. Skontaktuj się z centrum serwisowym (CS)
	Niskie ciśnienie w zbiorniku wym	Sprawdź ciśnienie w suchym zbiorniku magazynowym. Ciśnienie w zbiorniku magazynowym bez wody powinno wynosić od 0,4 do 0,6 bara. W razie potrzeby zwiększ ciśnienie za pomocą pompy. Czynność ta jest wykonywana przez serwisanta.
	Brak ogranicznika przepływu lub jest on nieprawidłowo zainstalowany	Sprawdź, czy na wylocie uchwyty membrany (obudowy membrany) znajduje się ogranicznik przepływu. Powinien on być włożony do czarnej rurki i podłączony do wylotu uchwyty membrany. Jeśli strona rurki, do której włożony jest ogranicznik przepływu, jest skierowana do kanalizacji, należy zmienić położenie rurki (po czyszczeniu ogranicznika). Jeśli nie ma ogranicznika przepływu, mógł on zostać spuszczone do kanalizacji. Zainstaluj nowy ogranicznik przepływu (podłącz koniec rurki z ogranicznikiem do wylotu uchwyty membrany).
Woda nie wypływa z rurki odpływowej, gdy woda jest dostarczana do systemu	Zbiornik magazynowy jest pełny	Odkręć wylewkę do wody oczyszczonej. Jeśli po spuszczeniu oczyszczonej wody ze zbiornika zacznie ona sphywać do odpływu, system działa prawidłowo.
	Ogranicznik przepływu jest zatkany	Wyczyść lub wymień ogranicznik przepływu.
	Niedopasowanie otworu w obejmie zaciskowej do rury kanalizacyjnej	Zamontuj prawidłowo obejmę zaciskową i ponownie sprawdź system.

8. ROZWIĄZYWANIE PROBLEMÓW

Woda ma biały odcień, który znika po odstawieniu.	Powietrze w systemie	Powietrze w systemie jest zjawiskiem normalnym na początku działania systemu. Efekt ten znika po pewnym czasie.
Woda ma smak i zapach	Żywotność węglowego filtra końcowego została wyczerpana.	Wymień wkład
	Roztwór dezynfekujący membrany nie jest spłukany	Spuść całą wodę ze zbiornika do odpływu, ponownie napełnij zbiornik
	Zanieczyszczenie w systemie	Zdezynfekuj system zgodnie z zaleceniami w rozdziałach 7 i 7.1
	Zanieczyszczony zbiornik	Wymień zbiornik Uwaga! Zbiornik może ulec zanieczyszczeniu, jeśli system jest używany przez długi czas lub jeśli wkłady nie są wymieniane w odpowiednim czasie
Niski poziom wody w zbiorniku	Wysokie ciśnienie w komorze powietrznej zbiornika magazynowego	Ciśnienie w zbiorniku magazynowym bez wody powinno wynosić od 0,4 do 0,6 bara. W razie potrzeby zwolnij ciśnienie. Czynność ta jest wykonywana przez serwisanta CS.
	Zawór na zbiorniku magazynowym jest zamknięty	Sprawdź położenie zaworu na zbiorniku

9. DZIENNIK KONSERWACJI

Producent zdecydowanie zaleca prowadzenie dziennika konserwacji, w którym zapisywane są wszystkie przeprowadzone prace, takie jak uruchomienie, wymiana wkładu, wymiana membrany, dezynfekcja i inne procedury. Informacje te pomogą specjalistom technicznemu w zdiagnozowaniu systemu odwróconej osmozy i mogą być wymagane przez producenta w przypadku roszczeń gwarancyjnych lub awarii systemu.

9.1 URUCHOMIENIE

Data uruchomienia, DD:MM:RRRR	Cisnienie na wlocie	Temperatura wody zasilającej, °C	Dostępność reduktora ciśnienia (TAK/NIE)	Przeprowadzono dezynfekcję (TAK/NIE)	Czas napełniania zbiornika, GG:MM	Konwersja (odzysk)	Zalecenia	Dostępność badań wody zasilającej (TAK/NIE), (data badań)	Informacje o zainstalowanym dodatkowym sprzęcie: nazwa, data instalacji (np.: reduktor, pompa, filtry wstępne itp.)	Nazwa firmy, która zamontowała system	Imię i nazwisko specjalisty technicznego, który zamontował system

PRACE PODŁĄCZENIOWE ZOSTAŁY ZAKOŃCZONE, PRODUKT ZOSTAŁ PRZETESTOWANY I NIE MA ŻADNYCH REKLAMACJI DOTYCZĄCYCH JAKOŚCI PRACY I ELEMENTÓW. POTWIERDZAM ZAKOŃCZENIE PRAC

Właściciel sprzętu _____

Podpis/imię i nazwisko

Przedstawiciel _____
centrum serwisowego

Podpis/imię i nazwisko

9. DZIENNIK KONSERWACJI

9.2 KONSERWACJA

Nazwa prac	Materiały eksploatacyjne używane podczas konserwacji	Temperatura wody, °C	Ciśnienie na wlocie	Dezynfekcja systemu/ zbiornika	Czas napełniania zbiornika, gg:mm	Stosunek permeatu do koncentratu	Data konserwacji	Nazwa firmy, która przeprowadziła konserwację	Imię i nazwisko specjalisty	Prace zostały zakończone, nie ma zastrzeżeń co do jakości wykonanych prac. Podpis właściciela sprzętu

10. DANE DOTYCZĄCE WYDAJNOŚCI

Ten system został przetestowany zgodnie z normą NSF/ANSI 58 w celu zmniejszenia stężenia substancji wymienionych poniżej. Stężenie tych substancji w wodzie zasilającej zostało zmniejszone do wartości mniejszej lub równej dopuszczalnemu limitowi dla wody opuszczającej system zgodnie z NSF/ANSI 58.

Substancja	Stężenie w wodzie wyjściowej (mg/l)	Maksymalne dopuszczalne stężenie w wodzie uzdatnionej (mg/l)
Arsen (pięciowartościowy)*	0,30 ± 10%	0,010
Bar*	10,0 ± 10%	2,0
Kadm*	0,03 ± 10%	0,005
Miedź*	3,0 ± 10%	1,3
Chrom (sześciowartościowy i trójwartościowy)*	0,3 ± 10% (sześciowartościowy), 0,3 ± 10% (trójwartościowy)	0,05 (sześciowartościowy) i 0,05 (trójwartościowy)
Fluor*	8,0 ± 10%	1,5
Ołów*	0,15 ± 10%	0,010
Rad 226/228*	25 pCi/l ± 10%	5 pCi/l ± 10%
Selen*	0,10 ± 10%	0,05
Mętność*	11 ± 1 NTU	0,5 NTU

*Systemy wyposażone w membrany TW30-1812-50, TW30-1812-75, CSV181250ECO posiadają certyfikaty potwierdzające spełnienie tych wymagań.

Substancja	Stężenie w wodzie wyjściowej (mg/l)	Minimalny poziom redukcji, %
Minimalny poziom redukcji, %	750 ± 40 mg/l	75%

10.1 FAKTY NA TEMAT ARSENU

Obecność i formy arsenu w wodzie

Arsen (As) jest naturalnie występującym zanieczyszczeniem występującym w wielu źródłach wód gruntowych. Zwykle występuje w dwóch formach znanych jako wartościowości lub stopnie utlenienia: arsen pięciowartościowy (As(V), As(+5) lub arsenian) i arsen trójwartościowy (As(III), As(+3) lub arsenit). W naturalnych wodach gruntowych arsen może występować w postaci trójwartościowej, pięciowartościowej lub ich kombinacji. Obie formy są szkodliwe dla zdrowia ludzkiego, ale arsen trójwartościowy jest uważany za bardziej niebezpieczny.

Określanie zawartości arsenu w wodzie i wydajność systemu

Konsumenci korzystający z wody ze scentralizowanych systemów mogą skontaktować się z lokalnym zakładem wodociągowym, aby dowiedzieć się, czy w procesie uzdatniania wody stosowany jest wolny chlor. Jest to ważne dla konwersji arsenu trójwartościowego do arsenu pięciowartościowego. W przypadku prywatnych źródeł wody lub wód bez resztkowego chloru zaleca się zbadanie wody w celu określenia formy arsenu. W niektórych przypadkach może być wymagane dodatkowe uzdatnianie w celu utlenienia arsenu trójwartościowego do arsenu pięciowartościowego, aby system mógł go skutecznie usunąć.

10. DANE DOTYCZĄCE WYDAJNOŚCI

Oświadczenia dotyczące usuwania arsenu pięciowartościowego

Systemy są specjalnie zaprojektowane do usuwania arsenu pięciowartościowego z wody. Nie przekształcają one arsenu trójwartościowego w arsen pięciowartościowy. W warunkach laboratoryjnych system obniżył poziom arsenu pięciowartościowego z 0,30 mg/l do 0,010 mg/l (10 ppb) lub poniżej, co spełnia normę USEPA dla bezpiecznej wody pitnej. Rzeczywista wydajność systemu może się różnić w zależności od warunków użytkowania i zaleca się regularne testowanie uzdatnionej wody, aby upewnić się, że system działa prawidłowo.

Warunki, które mogą wpływać na wydajność

Zdolność systemu do usuwania arsenu pięciowartościowego może się różnić w zależności od jakości wody w miejscu instalacji. Na przykład obecność żelaza lub innych zanieczyszczeń w wodzie może wpływać na jego skuteczność.

Element do usuwania arsenu i konserwacja

Element odwróconej osmozy (RO) systemów TW30-1812-50, TW30-1812-75, CSV181250ECO, CSV181275ECO jest odpowiedzialny za usuwanie arsenu pięciowartościowego. Aby utrzymać wydajność systemu, element RO należy regularnie wymieniać zgodnie z zaleceniami zawartymi w instrukcji obsługi. Częstotliwość wymiany i informacje na temat miejsca zakupu części zamiennych można znaleźć w instrukcji montażu i obsługi.

11. BEZPIECZEŃSTWO DLA ZDROWIA I ŚRODOWISKA

Produkt nie ma wpływu chemicznego, radioaktywnego ani elektrochemicznego na środowisko. Produkt nie jest szkodliwy dla organizmu ludzkiego, jest zgodny z przepisami sanitarnymi Ukrainy, gdy jest używany zgodnie z przeznaczeniem.

12. ZASADY ZAKUPU

Zaleca się dokonywanie zakupów w autoryzowanych punktach sprzedaży.

Podczas zakupu należy sprawdzić integralność opakowania, obecność uszkodzeń mechanicznych i innych nieprawidłowości, opakowanie (bez otwierania opakowania), dostępność dołączonej dokumentacji, w tym instrukcji obsługi i karty gwarancyjnej.

13. TRANSPORT I PRZECHOWYWANIE

Produkt może być transportowany dowolnym pojazdem (z wyjątkiem pojazdów nieogrzewanych w zimnych porach roku) zgodnie z zasadami przewozu towarów obowiązującymi dla każdego rodzaju transportu.

Podczas załadunku i rozładunku oraz transportu należy przestrzegać wymagań dotyczących znaków manipulacyjnych na opakowaniu.

Produkty powinny być przechowywane w zamkniętych pomieszczeniach, w których wykluczona jest możliwość uszkodzeń mechanicznych, wilgoci i substancji aktywnych chemicznie. Produkty powinny być przechowywane w opakowaniu producenta w temperaturze otoczenia od +5 do +40°C i wilgotności względnej 80%, w odległości co najmniej 1 m od urządzeń grzewczych.

14. OSTRZEŻENIA

Drogi użytkowniku, przed rozpoczęciem korzystania z systemu odwróconej osmozy należy uważnie przeczytać poniższe ostrzeżenia i zalecenia. Przestrzeganie tych instrukcji nie tylko zapewni prawidłowe działanie systemu, ale także pomoże uniknąć poważnych problemów, które mogą spowodować uszkodzenie sprzętu i unieważnienie gwarancji.

1. Przed montażem i użytkowaniem systemu odwróconej osmozy należy dokładnie zapoznać się z instrukcją obsługi, lokalnymi przepisami wodno-kanalizacyjnymi i ściśle przestrzegać wszystkich instrukcji. Przestrzeganie instrukcji zapewnia bezpieczne i wydajne działanie systemu oraz chroni przed możliwymi obrażeniami ciała lub uszkodzeniami. Zaleca się skontaktowanie się z wykwalifikowanym specjalistą w celu zainstalowania systemu i wykonania wszelkich powiązanych prac.

2. Ochrona przed wysokim ciśnieniem: Aby system działał prawidłowo, konieczne jest zapewnienie ochrony przed wysokim ciśnieniem i nagłymi spadkami ciśnienia w sieci wodociągowej. Na wlocie należy zainstalować regulator ciśnienia. Niezainstalowanie regulatora ciśnienia może spowodować uszkodzenie elementów systemu i unieważnienie gwarancji. Optymalne ciśnienie robocze dla systemu wynosi 3,5 bara (52,5 psi).

3. Producent zdecydowanie zaleca prowadzenie dziennika konserwacji (punkt **9.1**), w którym wyszczególniane są wszystkie wykonane prace, takie jak uruchomienie, wymiana wkładu i membrany, dezynfekcja i inne procedury. Informacje te są ważne dla pracy specjalisty technicznego podczas diagnostyki systemu odwróconej osmozy, a także mogą być wymagane przez producenta w przypadku roszczeń gwarancyjnych lub awarii systemu.

4. System może być instalowany i uruchamiany wyłącznie przez wykwalifikowanego specjalistę. System jest przeznaczony do uzdatniania zimnej wody.

5. Analiza wody: Przed rozpoczęciem korzystania z systemu należy zlecić analizę wody zasilającej w certyfikowanym laboratorium w celu określenia jej jakości i zgodności z parametrami (punkt **2**) zapewniającymi prawidłowe działanie systemu.

Wymagania dotyczące wody dostarczanej do systemu odwróconej osmozy:

Nazwa wskaźnika	Wartość
pH	6,5–8,5
Mineralizacja, mg/l	<1500
Twardość, mg-eq/l	<10,0
Wolny chlor, mg/l	<0,5
Żelazo, mg/l	<0,3
Mangan, mg/l	<0,1
Utlenialność wody, mg O ₂ /l	<5
Całkowita liczba drobnoustrojów (TMC), CFU/ml	<50
Indeks Coli, CFU/100 ml	<3

14. OSTRZEŻENIA

6. Dezynfekcja wody: Nie należy używać systemu do uzdatniania wody niebezpiecznej mikrobiologicznie lub wody o nieznannej jakości bez odpowiedniej dezynfekcji wstępnej.

7. Sprawdzenie ciśnienia wody: Woda powinna być dostarczana do systemu pod ciśnieniem zgodnym z parametrami zalecanymi przez producenta (zwykle 2–6 bara). **Użycie reduktora ciśnienia jest obowiązkowe.**

8. Sprawdzenie szczelności systemu: Po instalacji należy sprawdzić system pod kątem wycieków, szczególnie w ciągu pierwszych dwóch tygodni po montażu. Następnie należy sprawdzać system raz w tygodniu.

9. Regularna wymiana wkładu filtra i konserwacja filtra: Wkłady filtra wstępnego należy wymieniać co najmniej raz na 6 miesięcy. Terminowa wymiana pomoże uniknąć uszkodzenia membrany i zapewni wydajne działanie systemu (punkt **6**).

10. Wymiana membrany odwróconej osmozy: Aby utrzymać stabilną jakość wody, konieczna jest wymiana membrany odwróconej osmozy co najmniej raz na 1–1,5 roku. Jeśli poziom TDS w uzdatnionej wodzie przekracza 15 mg/l, jest to sygnał do wymiany membrany i skontaktowania się z wykwalifikowanym serwisem (punkt **6**).

11. Dezynfekcja po długiej przerwie w eksploatacji: Jeśli system nie był używany przez ponad 2 tygodnie, należy przeprowadzić dezynfekcję i całkowicie wymienić elementy filtrujące (punkt **7**).

12. Odcięcie dopływu wody w przypadku dłuższej nieobecności: W przypadku dłuższej nieobecności (ponad 2 dni) zaleca się odcięcie dopływu wody do systemu, aby zapobiec wyciekom lub uszkodzeniom.

13. Producent nie ponosi odpowiedzialności za żadne szkody przypadkowe lub wtórne spowodowane niespełnieniem przez urządzenie wyraźnych lub dorozumianych warunków gwarancji lub jakkolwiek inną wadą urządzenia.

Obejmuje to utratę lub uszkodzenie urządzenia, stratę czasu, niedogodności, uszkodzenie mienia osobistego, utratę dochodu, straty biznesowe, koszty wysyłki, podróży, połączeń telefonicznych lub inne szkody o podobnym charakterze.

14. Uwaga dotycząca gwarancji: Niewłaściwy montaż, brak regulatora ciśnienia, zbyt późna wymiana elementów lub nieprzestrzeganie instrukcji spowoduje unieważnienie gwarancji. Przestrzeganie tych zaleceń zapewni stabilną pracę systemu odwróconej osmozy i uchroni użytkownika przed niepożądanymi problemami.

15. ZOBOWIĄZANIA GWARANCYJNE

Dziękujemy za zakup systemu odwróconej osmozy wyprodukowanego przez firmę Ecosoft. Mamy nadzieję, że nasz system będzie służył Ci przez długi czas i zapewni Ci i Twojej rodzinie przyjemność z czystej wody pitnej.

Okres gwarancji

Okres gwarancji wynosi **12 miesięcy** od daty sprzedaży za pośrednictwem sieci detalicznej (chyba że w karcie gwarancyjnej produktu określono inaczej).

Warunki gwarancji

Producent gwarantuje, że ten system uzdatniania wody jest wolny od wad produkcyjnych i że wady te nie zostaną wykryte w okresie gwarancyjnym, pod warunkiem że system uzdatniania wody zostanie zamontowany i będzie obsługiwany zgodnie z wymaganiami technicznymi i warunkami eksploatacji.

Ważne!

Przed użyciem systemu należy uważnie przeczytać:

- instrukcję montażu i obsługi systemu odwróconej osmozy,
- warunki gwarancji,
- sprawdzić poprawność wypełnienia karty gwarancyjnej oraz dostępność dokumentu potwierdzającego zakup (paragon fiskalny, paragon sprzedaży, faktura, certyfikat uruchomienia).

Karta gwarancyjna

Karta gwarancyjna jest ważna tylko wtedy, gdy zawiera:

- prawidłowy model i datę sprzedaży,
- wyraźne pieczęcie sprzedawcy.

Ochrona przed wysokim ciśnieniem

Aby system działał prawidłowo, konieczne jest zapewnienie ochrony przed wysokim ciśnieniem i nagłymi spadkami ciśnienia w sieci wodociągowej.

Wymagania:

- Na wlocie należy zainstalować regulator ciśnienia.
- Optymalne ciśnienie robocze dla systemu wynosi 3,5 bara (52,5 psi).

Ważne!

Niezainstalowanie regulatora ciśnienia może spowodować uszkodzenie elementów systemu i unieważnienie gwarancji.

Warunki unieważnienia gwarancji

Niewłaściwy montaż, brak regulatora ciśnienia, zbyt późna wymiana elementów niezgodność z wymaganiami dotyczącymi doprowadzanej wody lub nieprzestrzeganie instrukcji spowoduje **unieważnienie gwarancji**.

15. ZOBOWIĄZANIA GWARANCYJNE

Gwarancja nie obejmuje:

- Uszkodzeń **spowodowanych normalnym zużyciem**.
- Uszkodzeń **spowodowanych niewłaściwym użytkowaniem**.
- Uszkodzeń spowodowanych **modyfikacjami, zmianami lub naprawami** przeprowadzonymi przez nabywcę lub osobę trzecią.
- **Materiałów eksploatacyjnych** (wkładów, membrany odwróconej osmozy, węglowego filtra końcowego, mineralizatora i innych wymiennych elementów), których żywotność zależy od jakości wody i warunków eksploatacji.
- Uszkodzeń spowodowanych **czynnikami zewnętrznymi**: wahania ciśnienia i temperatury, zanieczyszczenia, wpływy mechaniczne lub chemiczne.
- **Sprzętu elektrycznego** w przypadku braku uziemienia lub stabilizatora napięcia w sieci.
- Nieprzestrzegania warunków **przechowywania, transportu lub eksploatacji towarów**.
- Nieprawidłowego działania i usterek spowodowanych **nieterminową wymianą elementów wymiennych** lub użyciem elementów innych producentów.

Ważne!

Wszelkie roszczenia dotyczące jakości wody, **smaku i zapachu** wody oczyszczonej za pomocą tego filtra są akceptowane tylko wtedy, gdy istnieje potwierdzający **raport z badania**, przeprowadzonego przez akredytowane laboratorium badawcze.

Zobowiązanie gwarancyjne wygasa:

- w przypadku **wykorzystania produktu niezgodnie z jego przeznaczeniem**;
- w przypadku **nieprzestrzegania warunków eksploatacji** określonych w paszporcie i dokumentach eksploatacyjnych;
- w przypadku przekroczenia maksymalnych **norm technicznych** dotyczących działania produktu (punkt **2**);
- w przypadku naruszenia **zasad bezpieczeństwa**, warunków przechowywania lub transportu towarów;
- jeśli naprawa lub inna ingerencja w działanie produktu została przeprowadzona przez **nieautoryzowany serwis**;
- w przypadku braku zainstalowanego **reduktora ciśnienia** przed systemem.

Zalecamy korzystanie z usług **autoryzowanych centrów serwisowych** w celu montażu i uruchomienia systemu.

Jeśli użytkownik zdecyduje się na samodzielny montaż systemu lub zleci go serwisantowi zewnętrznemu, gwarancja może zostać **unieważniona** w przypadku:

- Nieprawidłowego montażu systemu, skutkującego nieprawidłowym działaniem lub nieszczelnością podzespołów.
- Nieprawidłowego działania systemu z powodu naruszenia sekwencji uruchomienia.
- Braku **reduktora ciśnienia** przed systemem.

Przestrzeganie tych zaleceń zapewni stabilną pracę systemu odwróconej osmozy i uchroni użytkownika przed niepożądanymi problemami.

Po wykonaniu prac gwarancyjnych Dostawca sporządzi i prześle Nabywcy protokół z wykazem wykonanych prac i materiałów, które nie podlegają zapłacie. Nabywca jest zobowiązany do podpisania protokołu i odesłania jednego egzemplarza w ciągu **5 dni kalendarzowych** od

15. ZOBOWIĄZANIA GWARANCYJNE

daty jego otrzymania.

Jeśli protokół nie zostanie zwrócony lub nie zostaną zgłoszone żadne zastrzeżenia w tym terminie, prace i materiały zostaną uznane za zaakceptowane przez Nabywcę bez żadnych zastrzeżeń.

Uwaga! Warunkami uzyskania bezwarunkowej 5-letniej gwarancji są:

- montaż i uruchomienie przez Autoryzowane Centrum Serwisowe;
- wymiana wkładów przez Autoryzowany Serwis zgodnie z instrukcjami producenta.

5-letnia bezwarunkowa gwarancja zapewnia dodatkowe korzyści:

- gwarancyjną wymianę dowolnego podzespołu i/lub elementu systemu (z wyjątkiem wkładów wymiennych) przez cały okres gwarancji;
- monitorowanie żywotności wkładów filtracyjnych, terminowe przypominanie o nich i ich wymiana przez Autoryzowane Centrum Serwisowe;
- uzyskanie indywidualnych rabatów na wkłady wymienne i usługi Autoryzowanego Centrum Serwisowego.

Standardowe podłączenie przez serwisanta

Standardowe podłączenie jest dostępne tylko dla rury o średnicy 1/2 cala z zaworem przyłączeniowym wody w mieszkaniu.

Lista prac wykonywanych przez serwisanta podczas standardowego podłączenia:

- instalacja złączki wlotowej i zaworu doprowadzania wody w rurze wodociągowej;
- montaż wylewki do wody oczyszczonej na zlewozmywaku lub blacie roboczym;
- instalacja modułu filtrującego, obejmij zaciskowej i połączenia z kolorowymi rurkami;
- sprawdzenie systemu pod kątem szczelności podzespołów roboczych i poprawności ogólnego działania;
- wypełnienie protokołu wykonanych prac;
- wypełnienie dziennika konserwacji.

Dodatkowo serwisant może zaoferować i zainstalować:

- regulator ciśnienia;
- kompensator uderzeń wodnych;
- system zabezpieczający przed wyciekami wody;
- inny sprzęt, który poprawi działanie głównego sprzętu;
- konserwację serwisową.

Dodatkowo są płatne:

- koszty transportu działu serwisu;
- wizyta serwisu poza godzinami pracy;
- podłączenie do istniejących punktów poboru wody, w których nie przewidziano elastycznego przyłącza i wymagana jest zmiana projektu instalacji wodociągowej przy użyciu specjalnych narzędzi oraz dodatkowych materiałów i komponentów;
- instalacja wylewki do wody oczyszczonej na powierzchni wykonanej z materiału wymagającego użycia specjalnego sprzętu (żeliwo, sztuczny kamień, gres porcelanowy i inne sztuczne materiały);
- instalacja regulatora ciśnienia;
- instalacja kompensatora uderzeń wodnych;
- instalacja systemu zabezpieczającego przed wyciekami wody;
- instalacja innego sprzętu, który poprawi działanie głównego sprzętu;
- konserwacja serwisowa.

15. ZOBOWIĄZANIA GWARANCYJNE

Serwis nie ponosi odpowiedzialności za stan rur doprowadzających wodę i armatury nabywcy. Niezadawalający stan rur doprowadzających wodę i armatury oraz nieprzestrzeganie przez nabywcę wymagań dotyczących podłączenia filtra określonych w instrukcji obsługi będą podstawą do odmowy świadczenia usług przyłączeniowych.

UWAGA!!! W przypadku samodzielnego podłączenia systemu producent nie ponosi odpowiedzialności i nie akceptuje żadnych roszczeń, które mogą być spowodowane nieprawidłowym podłączeniem i nieprawidłowym działaniem całego systemu.

16. CERTYFIKOWANE CENTRA SERWISOWE W TWOIM REGIONIE

Lista autoryzowanych centrów serwisowych jest dostępna pod adresem www.ecosoft.com/pl

CERTIFICATS D'ECOSOFT



PRODUKT Z ATESTEM

Numéro
B.BK.60110.0920.2024
valable jusqu'au: 12.08.2027

SOMMAIRE

1. Objectif du produit	168
2. Spécifications et composants	170
2.1 Désignation des modèles	170
2.2 Spécifications et exigences	171
2.2.1 Mini-réducteur de pression	171
2.2.2 Capteur de fuite	172
2.3 Qualité de l'eau	173
2.3.1 Exigences en matière de qualité de l'eau d'approvisionnement	173
2.3.2 Qualité de l'eau après la membrane d'osmose inverse	173
2.3.3 Qualité de l'eau minéralisée	174
2.4 Composants du système d'osmose inverse	175
3. Diagrammes de connexion	178
3.1 Schéma de connexion pour le modèle de base	178
3.2 Schéma de raccordement pour le système avec reminéralisateur et robinet doublé	179
3.3 Schéma de raccordement pour le système avec reminéralisateur et robinet unique	180
3.4 Schéma de raccordement du système avec pompe (filtration en 5 étapes)	181
3.4.1 Schéma de raccordement pour le système avec pompe (filtration à 6 étapes)	182
3.5. Schéma de connexion du système PURE Balance	183
3.5.1 Schéma de raccordement du système PURE Balance avec une pompe	184
3.6. Schéma de raccordement du système PURE AquaCalcium	185
3.6.1 Schéma de raccordement du système PURE AquaCalcium avec pompe	186
3.7. Schéma de connexion du système PURE Alkafuse	187
3.7.1 schéma de connexion pour le système PURE Alkafuse avec pompe	188
4. Étapes de l'installation d'un système d'osmose inverse	189
4.1 Vérifier la configuration	189
4.2 Procédure d'installation	190
4.2.1 Outils recommandés pour l'installation	190
4.2.2 Procédure d'installation	190
5. Étapes après l'installation	194
6. Utilisation	195
6.1 Parties du filtre et taux de remplacement recommandés	198
6.2 Procédure de remplacement des cartouches postfiltre	200
6.3 Procédure de remplacement de la membrane	201
6.4 Procédure de remplacement du post-filtre à charbon et/ou du post-filtre minéralisant	203
7. Assainissement du filtre à osmose inverse	204
7.1 Assainissement du réservoir sous pression	206
8. Dépannage	208
9. État de service	211
9.1 Mise en service	211
9.2 Registre de maintenance	212
10. Données de performance	213
10.1 L'arsenic en chiffres	213
11. Sécurité environnementale et sanitaire	214
12. Achats	214
13. Transport et stockage	214
14. Avertissement	215
15. Garantie	217
16. Certificats	219

1. OBJECTIF DU PRODUIT

L'osmose inverse est de loin la technologie de purification de l'eau la plus avancée utilisée aujourd'hui. Une membrane semi-perméable spéciale, dont les propriétés sont similaires à celles de la membrane d'une cellule vivante, est capable de purifier l'eau potable de pratiquement toutes les impuretés nocives (voir figure 1). La membrane peut être considérée comme ayant de minuscules pores, 200 fois plus petits que les virus et 4000 fois plus petits que les bactéries. Les filtres à eau domestiques dotés de membranes d'osmose inverse exploitent le principe du métabolisme du corps au niveau cellulaire. Seules les molécules d'une certaine taille peuvent pénétrer la membrane cellulaire.

Le système d'osmose inverse est une unité de filtration à cinq étapes fonctionnant comme suit (voir la section 2.4 pour les numéros de référence). Le porte-filtre est relié à l'alimentation en eau froide par l'adaptateur d'eau d'alimentation 4 et la vanne d'alimentation 5. Le tube rouge achemine l'eau de la vanne d'alimentation vers le porte-filtre à bulbe (le plus à droite). L'eau qui arrive passe ensuite à travers les cartouches de préfiltre 9. Les cartouches de préfiltre sont conçues pour éliminer les solides (tels que la rouille, le sable, le limon, etc.), le chlore résiduel et les organochlorés de l'eau. Après avoir subi des étapes de prétraitement dans les préfiltres, l'eau entre dans la quatrième étape (et la plus importante) : la membrane d'osmose inverse 11 contenue dans un boîtier spécial. L'entrée du boîtier de la membrane est reliée au troisième filtre à bulbe (le plus à gauche) par le côté alimentation de la vanne d'arrêt automatique (vanne à quatre voies fixée au sommet du filtre). L'une des deux sorties fournit de l'eau purifiée (perméat) et l'autre évacue l'eau dont les impuretés ont été rejetées (concentré). La membrane purifie l'eau au niveau moléculaire en ne laissant passer à travers ses pores que les molécules d'eau et les molécules d'oxygène dissous.

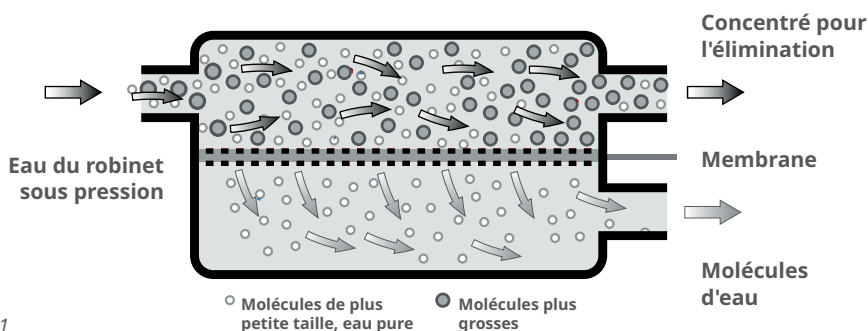


Figure 1

1. OBJECTIF DU PRODUIT



Avant d'installer et d'utiliser le filtre à osmose inverse, lisez attentivement ce manuel. Le respect des instructions garantit un fonctionnement sûr et efficace du système et permet d'éviter les blessures ou les dommages potentiels à l'équipement et aux biens.

À l'intérieur de la membrane, l'eau est séparée en deux flux : le concentré, qui est évacué dans le drain, et le perméat, qui entre dans le réservoir sous pression 2 pour y être stocké. Le réservoir est relié à sortie par la vanne d'arrêt automatique de la membrane et le clapet anti-retour intégré dans le raccord de transition installé dans la sortie du perméat du boîtier de la membrane. Après la vanne d'arrêt automatique est installé le té d'union, par lequel le réservoir est connecté au rack de filtration avec le tube jaune. La vanne de réservoir 6 est installée sur le dessus du réservoir.

Le réservoir sous pression du système accumule l'eau purifiée. Sans lui, la membrane d'osmose inverse ne serait pas en mesure de produire un débit suffisant pour la consommation directe d'eau. Par exemple, si le filtre était équipé d'une membrane d'une capacité de 50 GPD (7,9 L / h), il faudrait plus de 1,5 minute pour remplir un verre de 200 ml ou 2 minutes pour un verre de 9 oz. Ainsi, le système stocke de l'eau purifiée dans le réservoir et la fournit à l'utilisateur en fonction de ses besoins, puis génère une réserve d'eau. Le temps nécessaire pour remplir un réservoir vide peut varier de 1,5 à 3 heures. Une fois le réservoir rempli, la vanne d'arrêt automatique coupe l'alimentation en eau des préfiltres et l'unité s'arrête. Après ouverture du robinet d'eau purifiée 3, la pression de l'eau dans le réservoir diminue et la vanne d'arrêt automatique reprend automatiquement l'écoulement de l'eau à travers les cartouches de pré-filtre vers la membrane pour remplir à nouveau le réservoir sous pression. L'eau avec les impuretés retenues (concentré) est évacuée dans le drain par la sortie du concentré, reliée par un tube noir à la selle de drainage 8, qui est installée sur le tuyau de drainage. Afin de créer une contre-pression, qui est nécessaire pour maintenir la pression de fonctionnement à l'intérieur du boîtier de la membrane, un limiteur de débit 12 est installé dans le tube noir. Le limiteur de débit est un insert en plastique doté d'un capillaire à alésage précis. Le limiteur de débit est inséré à l'intérieur de l'extrémité du tube noir qui est installé dans la sortie du concentré de la membrane.

Lorsqu'elle est tirée du robinet, l'eau purifiée s'écoule du réservoir sous pression à travers le raccord en T jusqu'à la cinquième étape de purification - le postfiltre à charbon, destiné à la purification finale de l'eau. Il contient du charbon actif de haute qualité fabriqué à partir de coquilles de noix de coco. Ce filtre améliore et affine le goût de l'eau purifiée. Le postfiltre à charbon est relié par un tube bleu au robinet d'eau potable 3 monté sur l'évier ou le comptoir.

Le minéralisateur contient un mélange naturel de minéraux tels que la calcite et/ou le Corosex, et peut également inclure du charbon actif, selon le modèle de filtre. Ce composant enrichit l'eau en calcium et/ou en magnésium, en améliore le goût et contribue à une meilleure santé.

2. SPÉCIFICATIONS ET COMPOSANTS

2.1 DÉSIGNATIONS DES MODÈLES

Modèles

MO 5 50 (75, 100)

MO 5 50 (75, 100) P

MO 6 50 (75, 100) M

MO 6 50 (75, 100) MAC

MO 6 50 (75, 100) MP

Veillez trouver le modèle de votre filtre sur le boîtier.

MO X YYY ZZZZ AAA BBB

MO — Le type de filtre. RO signifie osmose inverse

X — Nombre d'étapes

YYY — Capacité de la membrane d'osmose inverse en GPD (gallons par jour)* :

50GPD	190 litres par jour	7.9 litres par heure (2 gallons par heure)
75GPD	280 litres par jour	11.6 litres par heure (3,1 gallons par heure)
100GPD	380 litres par jour	15.8 litres par heure (4,2 gallons par heure)

* La capacité du filtre à osmose inverse est variable et dépend d'un certain nombre de facteurs. Il s'agit notamment de la qualité de l'eau d'alimentation, de l'usure des cartouches de pré-filtre et de la membrane elle-même, de la pression et de la température de l'eau d'alimentation.

ZZZZ — Légende des équipements supplémentaires (les lettres manquantes indiquent un modèle de base sans équipement supplémentaire):

M	Le filtre est équipé d'un post-filtre minéralisant
MAC	Le filtre avec la technologie de minéralisation de l'eau PURE AquaCalcium
MBAL	Le filtre avec la technologie de minéralisation de l'eau PURE Balance
ALK	Le filtre avec la technologie de minéralisation de l'eau PURE Alkafuse
P	Le filtre est équipé d'une pompe de surpression

AAA — Marque déposée

BBB — Version linguistique

S — Le système est fixé sur un support métallique

Par exemple: Ecosoft MO575PSECO désigne une unité d'osmose inverse à 5 étages équipée d'une membrane d'une capacité de 75 gallons par jour (11,6 l / h (3 gal / h)), d'un post-filtre minéralisant et d'une pompe de surpression. Marque déposée ECOSOFT.

** Les modèles équipés d'une pompe de surpression (marqués de la lettre "P" dans la désignation du modèle) sont destinés à être raccordés au réseau électrique monophasé de 230 V, 50 Hz.



Le système est équipé d'un cordon d'alimentation muni d'une fiche et doit être branché dans une prise de courant avec mise à la terre conforme aux normes locales. Avis de sécurité électrique : cet appareil doit être raccordé à un circuit équipé d'un disjoncteur différentiel (RCB) Avant d'effectuer toute opération, le système doit être déconnecté de la source d'alimentation électrique.



ATTENTION !

L'installation du filtre doit être effectuée par un spécialiste possédant les qualifications et l'expérience nécessaires.

Le produit ne doit être utilisé qu'avec de l'eau froide!

2. SPÉCIFICATIONS ET COMPOSANTS

2.2. SPÉCIFICATIONS ET EXIGENCES

Paramètre	Valeur du paramètre
Pression principale (sans pompe de surpression), bar (psi)	3-6* (43-87)
Pression principale (pompe de surpression installée), bar (psi)	2-4.5 (29-65)
Pression de la vessie du réservoir, bar (psi)	0.4-0.6** (5.8-8.7)
Température de l'eau d'alimentation, °C (°F)	+4...+30*** (39...86)
Poids du système (modèle de base), kg (livres)	6 (13.2)
Température ambiante, °C (°F)	+5...+40*** (+41...+104)
Raccordement de l'alimentation en eau	3/8" or 1/2" thread
Capacité du réservoir de stockage, L	5-6
Dimensions du filtre, H×L×P (assemblage de base), mm (pouces)	350 × 450 × 150 (13.8 × 17.7 × 5.9)
Dimensions du réservoir, H×L×P, mm (pouces)	350 × 260 × 260 (13.8 × 10.2 × 10.2)

* Si la pression de l'eau d'alimentation est inférieure à la valeur requise, achetez un modèle à pompe ou équipez votre filtre existant d'une pompe de surpression. Si la pression dans le système d'eau est supérieure à la limite, il est nécessaire d'installer un régulateur de pression sur le tuyau principal.

** Si la pression dans la vessie du réservoir est en dehors de cette plage, il est nécessaire de pomper ou de relâcher la pression jusqu'à ce qu'elle soit conforme aux exigences. Avant d'installer le filtre, il est essentiel d'effectuer une analyse de l'eau du robinet dans un laboratoire certifié. Cela permettra de déterminer sa qualité et de s'assurer qu'elle répond aux paramètres recommandés pour le bon fonctionnement du système.

*** Si la température de l'eau d'alimentation est supérieure à +20...+30 °C (+68...+86 °F), l'élimination des impuretés sera réduite et la qualité de l'eau sera améliorée. La capacité du système a augmenté, ce qui a entraîné une augmentation du TDS. L'utilisation du produit avec une température de l'eau d'alimentation supérieure à +30 °C (+86 °F) n'est pas recommandée.



Les systèmes d'osmose inverse doivent être protégés contre les pressions élevées et les coups de bélier causés par les systèmes locaux d'approvisionnement en eau. Un régulateur de pression doit être installé à l'entrée du système.

La pression de fonctionnement optimale du système est de 3,5 bars (52,5 psi) - le régulateur de pression est pré-réglé sur ce paramètre par le fabricant. L'absence de régulateur de pression risque d'endommager les composants sensibles à la pression et d'annuler la garantie.

2.2.1 MINI-RÉDUCTEUR DE PRESSION (5 bars)

Pour assurer le fonctionnement stable du système d'osmose inverse et protéger la membrane contre une pression excessive dans le réseau d'alimentation en eau, le filtre est équipé d'un mini-réducteur de pression (les filtres à osmose inverse sont équipés d'un mini-réducteur de pression à partir de la date de fabrication du 01.01.2026).

Caractéristiques techniques du réducteur de pression:

- Limite de pression: 5 bars (≈ 72 psi)
- Débit: 7,5 l/min à 100 psi
- Pression d'entrée maximale: 16 bars (230 psi)
- Température maximale de l'eau: 40 °C
- Raccordement: raccords rapides 1/4"

2. SPÉCIFICATIONS ET COMPOSANTS

Principe de fonctionnement:

Le réducteur abaisse automatiquement la pression d'entrée à un niveau sûr (environ 4,5-5,0 bars). Lorsque la pression d'entrée augmente jusqu'à 16 bars, la pression de sortie reste stable entre 4,8 et 5,5 bars.

Emplacement d'installation:

Il se monte sur le tuyau d'entrée du système, entre le robinet d'alimentation en eau du filtre à osmose inverse et le capteur de fuite. La flèche sur le boîtier indique le sens du débit d'eau.

Attention!

Tous les systèmes d'osmose inverse mentionnés dans ce manuel sont équipés d'un mini-réducteur de pression à partir de la date de fabrication du 01/01/2026.

2.2.2 CAPTEUR DE FUITE

Pour une protection supplémentaire contre les inondations, le système d'osmose inverse est équipé d'un capteur de fuite mécanique.

Les filtres à osmose inverse sont équipés d'un capteur de fuite à partir de la date de fabrication du 01/01/2026.

Caractéristiques techniques du capteur de fuite:

- Type: soupape à piston avec élément absorbant
- Pression de service: 2-4 bars
- Pression maximale: jusqu'à 6 bars
- Raccordement: raccords rapides 1/4"
- Matériau: plastique alimentaire

Principe de fonctionnement:

Le capteur de fuite est une vanne à piston qui coupe automatiquement l'eau en cas de détection d'une fuite.

- Sous la pression de l'eau (2 à 4 bars), la vanne reste fermée, car le piston est maintenu par la force de la pression.
- Lorsque la pression à l'entrée disparaît, le ressort ouvre la vanne et l'eau peut à nouveau passer.
- Lorsqu'il est mouillé, le coton s'expansent et bloque mécaniquement l'alimentation en eau.

Emplacement d'installation:

Le capteur est installé sur le tuyau d'entrée du filtre, entre le réducteur de pression et le filtre à osmose inverse, en position horizontale sur une surface plane sous le système.

Que faire si le capteur s'est déclenché:

1. Vérifiez la source de la fuite — trouvez et éliminez la cause.
2. Réduisez la pression de l'eau: fermez l'alimentation en eau avant la vanne et réduisez la pression dans le système.
3. Vérifiez la vanne: si elle ne s'est pas ouverte automatiquement, appuyez manuellement sur la tige de contrôle pour déplacer le piston.
4. Rétablissez l'alimentation en eau: après avoir éliminé le problème, remplacez l'éponge en coton et ouvrez la vanne.

2. SPÉCIFICATIONS ET COMPOSANTS

Attention!

Tous les systèmes d'osmose inverse mentionnés dans ce manuel sont équipés d'un capteur de fuite à partir de la date de fabrication du 01/01/2026.

2.3. QUALITÉ DE L'EAU

2.3.1. EXIGENCES EN MATIÈRE DE QUALITÉ DE L'EAU D'APPROVISIONNEMENT*

Indice	Valeur**
pH	6.5–8.5
TDS	<1500 ppm
Dureté	<500 ppm CaCO ₃ (<28 °dH)
Chlore libre	<0.5 ppm
Fer	<0.3 ppm
Manganèse	<0.1 ppm
Demande chimique en oxygène	<5 ppm O ₂
Comptage bactérien total (CBC)	<50 CFU/mL
Titre E. coli	<3

Ne pas utiliser avec de l'eau microbiologiquement dangereuse ou de qualité inconnue sans une désinfection adéquate avant ou après le système.

* Si l'alimentation en eau ne répond pas aux exigences, la durée de vie de la membrane et/ou des cartouches de pré-filtre peut être réduite.

** Si votre maison est alimentée par de l'eau brute, effectuez une analyse en laboratoire de votre eau avant d'installer un filtre à osmose inverse. Si l'un de vos indices d'eau dépasse la limite, envisagez d'utiliser un système de traitement de l'eau pour corriger la qualité de l'eau d'approvisionnement. Adressez-vous à des spécialistes du traitement de l'eau ou à des entreprises pour obtenir des conseils et choisir l'équipement adéquat.

2.3.2. QUALITÉ DE L'EAU APRÈS LA MEMBRANE D'OSMOSE INVERSE*

Indice	Valeur
pH	5.5–6.5
TDS	5–15 ppm
Calcium	<2 ppm
Magnésium	<1 ppm
Sodium + Potassium	<5 ppm

* Les valeurs sont déterminées dans les conditions suivantes : la température de l'eau d'alimentation est de 25 °C (77 °F), la qualité de l'eau d'alimentation et les conditions de fonctionnement correspondent aux exigences du fabricant.

2. SPÉCIFICATIONS ET COMPOSANTS

2.3.3. QUALITÉ DE L'EAU MINÉRALISÉE*

Indice	Ecosoft Mineralization filter	AquaCalcium	Pure Balance	Pure Alkafuse
pH	6.5-7.5	7-7.5	7-8.5	>8,5***
TDS, ppm	20-30**	55-65**	60-80	60-120
Calcium, ppm	<10,0	10-15	10-15	5-15
Magnésium, ppm	—	—	4-6	5-15



Attention !

Les changements de goût et d'odeur de l'eau purifiée après le remplacement du postfiltre à charbon et du minéralisateur sont dus à la capacité maximale du matériau filtrant au début de la durée de vie de la cartouche. Au cours du fonctionnement des cartouches, la minéralisation et les caractéristiques organoleptiques de l'eau diminuent progressivement.

Suivez le programme d'entretien de votre filtre pour garantir une qualité constante de l'eau traitée.

* Les valeurs sont déterminées dans les conditions suivantes : température de l'eau d'alimentation de 20 °C (68 °F), qualité de l'eau d'alimentation et conditions de fonctionnement conformes aux exigences du fabricant, consommation d'eau typique pour une famille de trois personnes. Lorsque la température de l'eau d'alimentation baisse en hiver, la teneur en minéraux peut être plus faible, et lorsque la température augmente en été, elle peut être plus élevée.

** Après une heure ou plus d'attente, la teneur en minéraux du premier verre d'eau purifiée peut être supérieure aux valeurs spécifiées, car davantage de minéraux peuvent se dissoudre pendant cette période. Ce phénomène est normal et n'altère pas la qualité de l'eau purifiée.



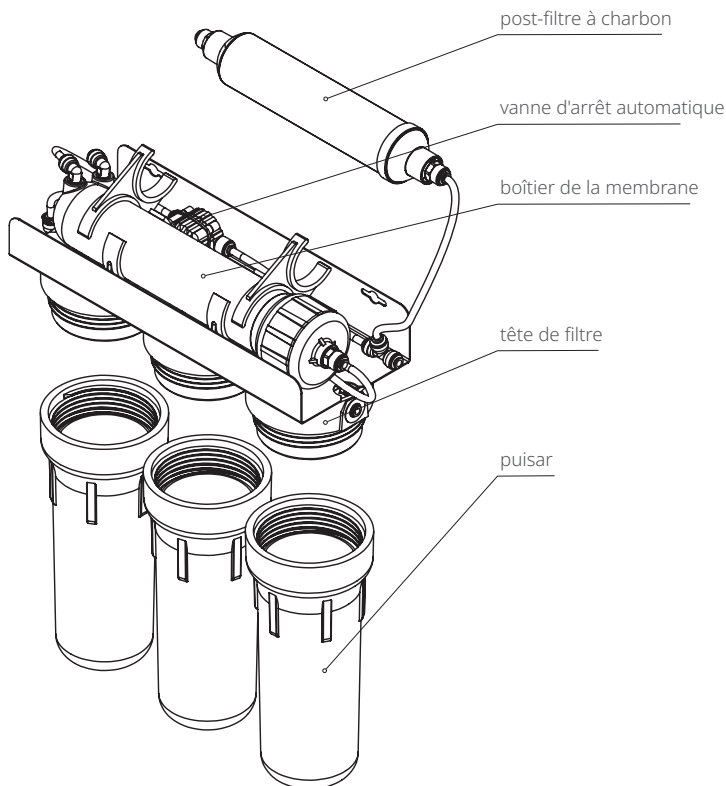
*** Avant de consommer de l'eau dont le pH est supérieur à 8,5, consultez un médecin.

2. SPÉCIFICATIONS ET COMPOSANTS

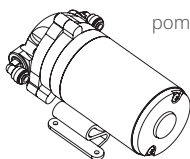
2.4. COMPOSANTS DU SYSTÈME D'OSMOSE INVERSE

Le fabricant se réserve le droit de modifier la conception du produit ou des composants spécifiques, si cette modification n'entraîne pas de détérioration des propriétés du produit pour le consommateur.

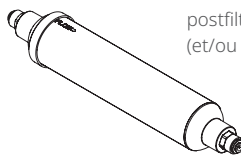
1) Porte-filtre



Options :



pompe de surpression



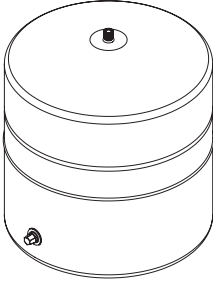
postfiltre minéralisant
(et/ou autre type de post-filtre)*

* en fonction de votre configuration

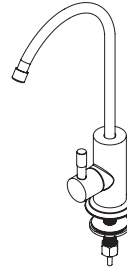
2. SPÉCIFICATIONS ET COMPOSANTS

2.4. COMPOSANTS DU SYSTÈME D'OSMOSE INVERSE

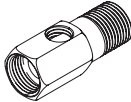
2) Réservoir sous pression



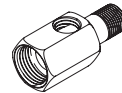
3) Robinet d'eau potable



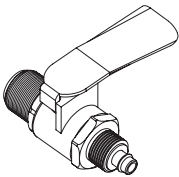
4) Adaptateur d'eau d'alimentation 1/2"



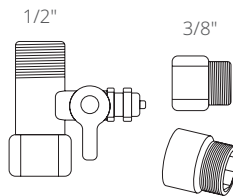
4.1) Adaptateur d'eau d'alimentation 3/8"



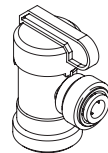
5) Vanne d'alimentation



5.1) Vanne d'alimentation**



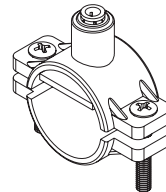
6) Valve du réservoir



7) Jeu de tubes colorés*



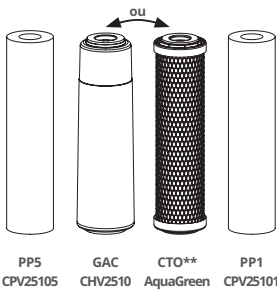
8) Selle de vidange



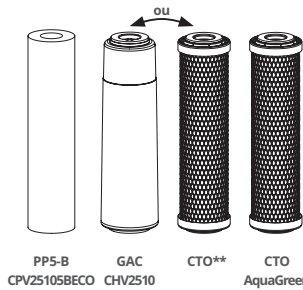
2. SPÉCIFICATIONS ET COMPOSANTS

9) Jeu cartouches de pré-filtre (peut varier selon le modèle)

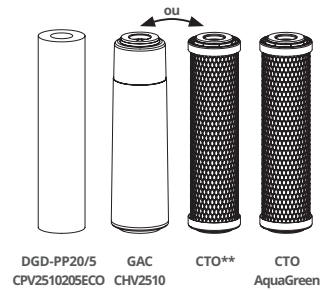
9.1) Pour la série Standard



9.2) Pour la série Absolute

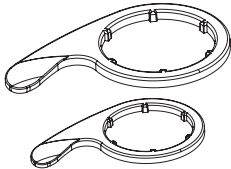


9.3) Pour la série PURE

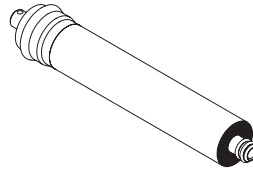


FR

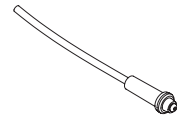
10) Clés pour le carter de la pompe et de la membrane



11) Membrane d'osmose inverse



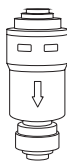
12) Limiteur de débit



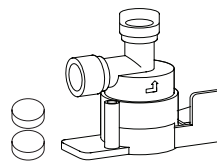
13) Clip de verrouillage : accessoire permettant d'éviter que les raccords push-fit ne soient déconnectés par inadvertance dans des endroits facilement accessibles. La présence du clip n'a aucune incidence sur l'étanchéité de la connexion. Quantité de clips dans votre filtre à osmose inverse peut varier en fonction de la conception du produit et n'a aucune incidence sur ses performances.



14) Soupape de limitation de pression**



15) Détecteur de fuites**



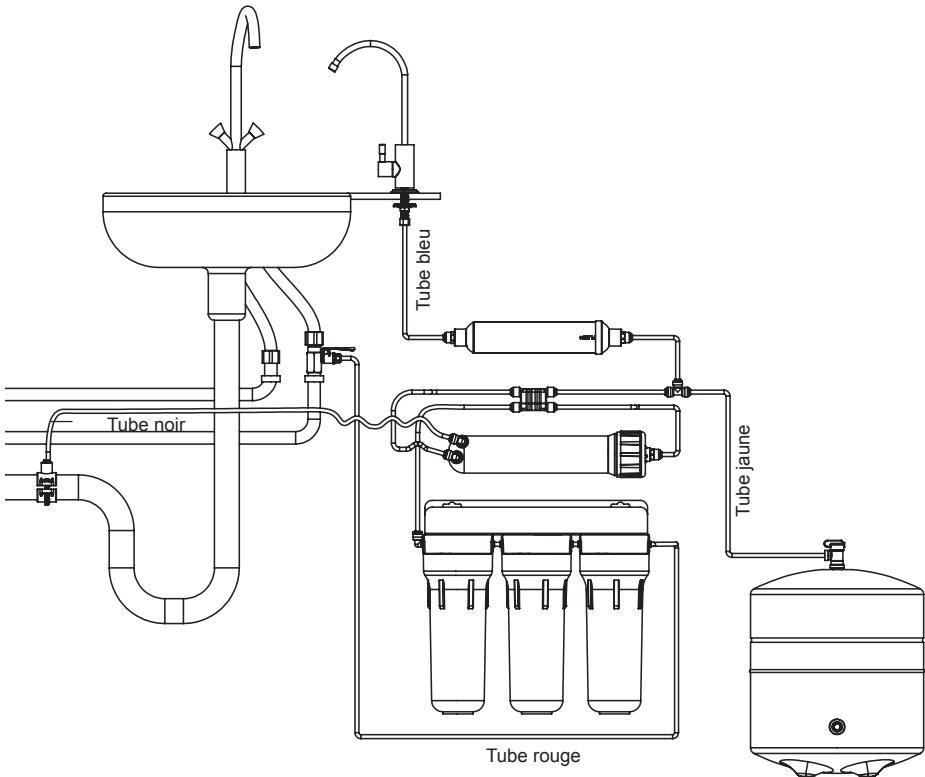
*La configuration du jeu de tubes peut différer de celle illustrée. Dans les filtres à osmose inverse fabriqués après le 19.03.2025, le raccord latéral est connecté au tube rouge. Lors de l'installation filtre à osmose inverse, il faut le brancher à la place du bouchon rouge.

**Ajouté à la composition des filtres à osmose inverse à partir de la date de fabrication 01.01.2026.

3. SCHÉMAS DE CONNEXION

3.1. SCHÉMA DE CONNEXION POUR LE MODÈLE DE BASE

Avant de commencer l'installation, veuillez consulter le schéma de connexion suivant correspondant à votre modèle de filtre.



Modèles

MO 5 50

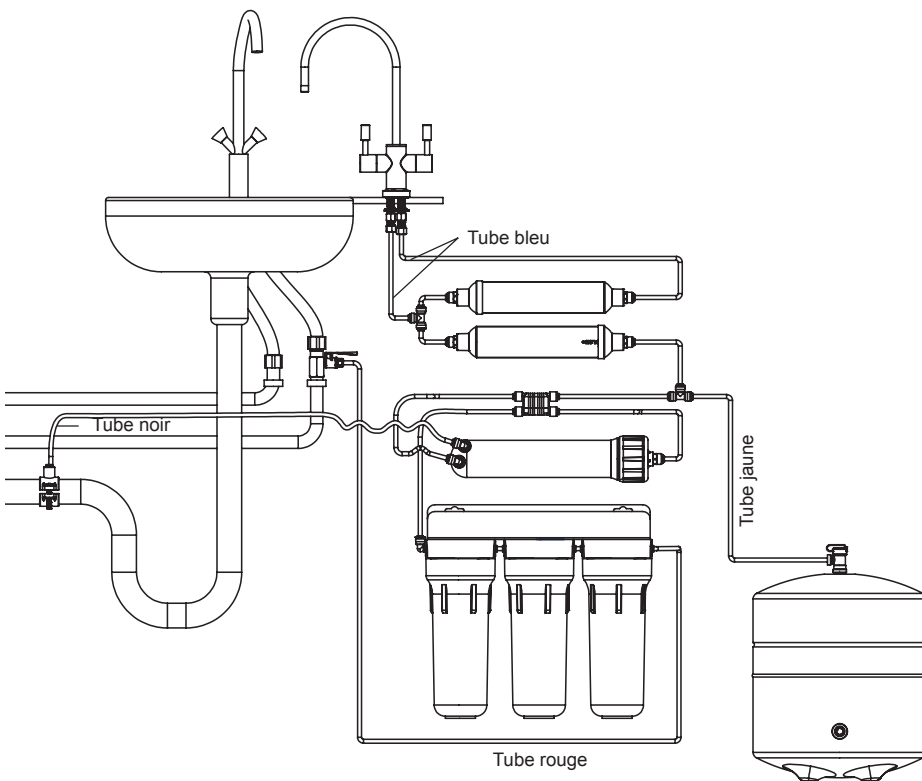
MO 5 75

MO 5 100

Le fabricant se réserve le droit de modifier la conception du produit ou des composants spécifiques, si cette modification n'entraîne pas une détérioration des propriétés du produit pour le consommateur.

3. SCHÉMAS DE CONNEXION

3.2. SCHÉMA DE RACCORDEMENT POUR LE SYSTÈME AVEC REMINÉRALISATEUR ET ROBINET DOUBLE



FR

Modèles

MO 6 50 M

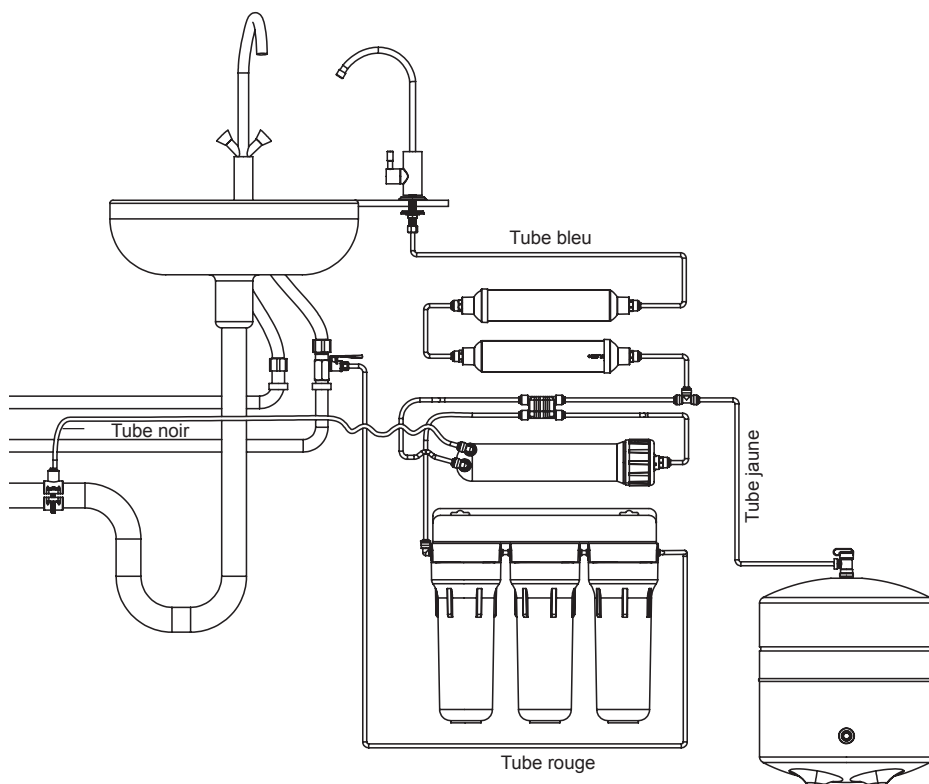
MO 6 75 M

MO 6 100 M

Le fabricant se réserve le droit de modifier la conception du produit ou des composants spécifiques, si cette modification n'entraîne pas une détérioration des propriétés du produit pour le consommateur.

3. SCHÉMAS DE CONNEXION

3.3. SCHÉMA DE RACCORDEMENT POUR LE SYSTÈME AVEC REMINÉRALISATEUR ET ROBINET UNIQUE



Modèles

MO 6 50 M

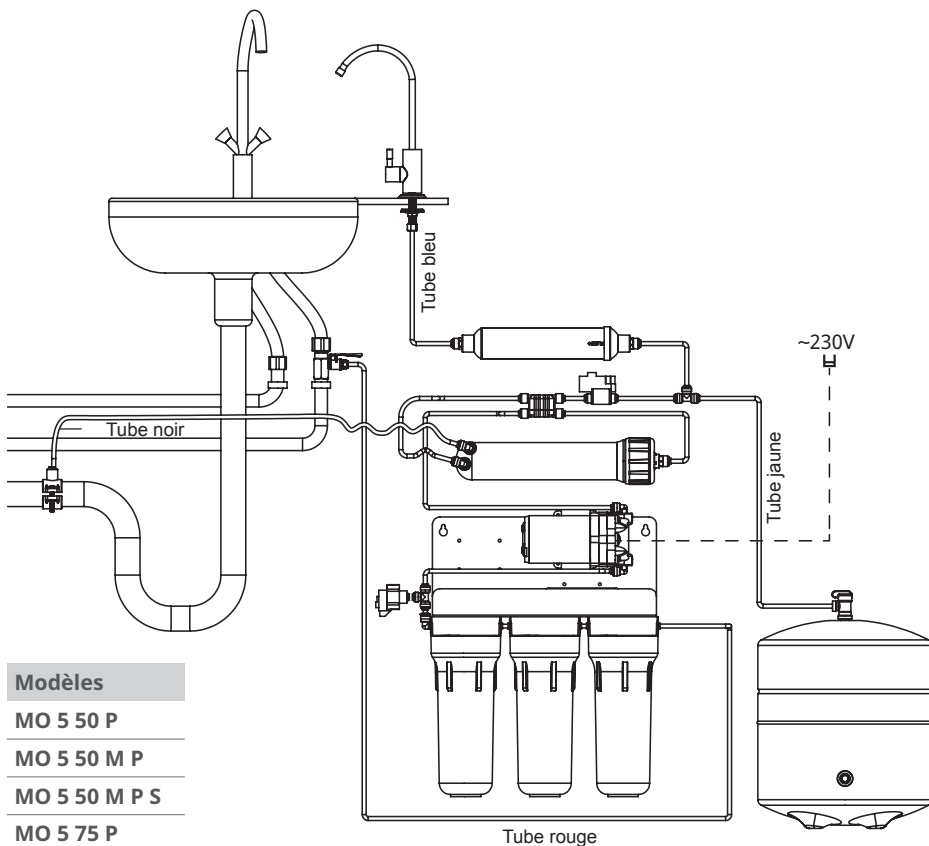
MO 6 75 M

MO 6 100 M

Le fabricant se réserve le droit de modifier la conception du produit ou des composants spécifiques, si cette modification n'entraîne pas une détérioration des propriétés du produit pour le consommateur.

3. SCHÉMAS DE CONNEXION

3.4. SCHÉMA DE RACCORDEMENT POUR LE SYSTÈME AVEC POMPE (FILTRATION À 5 ÉTAGES)



Modèles

MO 5 50 P

MO 5 50 M P

MO 5 50 M P S

MO 5 75 P

MO 5 75 M P

MO 5 75 M P S

MO 5 100 P

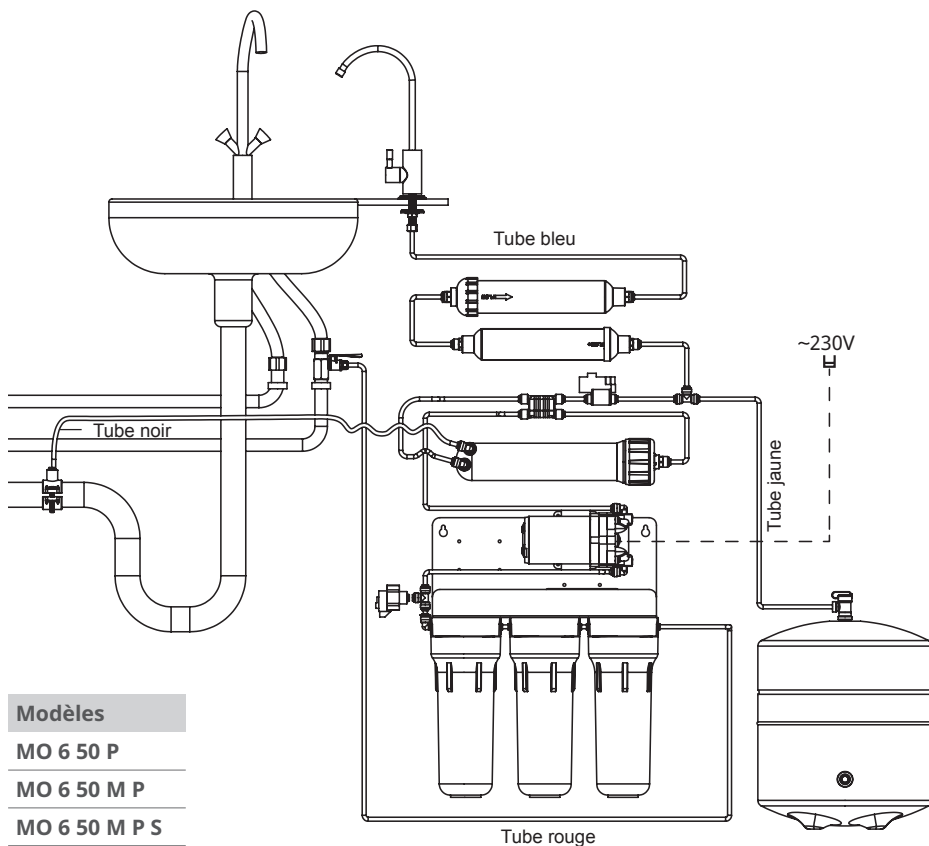
MO 5 100 M P

MO 5 100 M P S

Le fabricant se réserve le droit de modifier la conception du produit ou des composants spécifiques, si cette modification n'entraîne pas une détérioration des propriétés du produit pour le consommateur.

3. SCHÉMAS DE CONNEXION

3.4.1 SCHÉMA DE RACCORDEMENT POUR LE SYSTÈME AVEC POMPE (FILTRATION À 6 ÉTAGES)



Modèles

MO 6 50 P

MO 6 50 M P

MO 6 50 M P S

MO 6 75 P

MO 6 75 M P

MO 6 75 M P S

MO 6 100 P

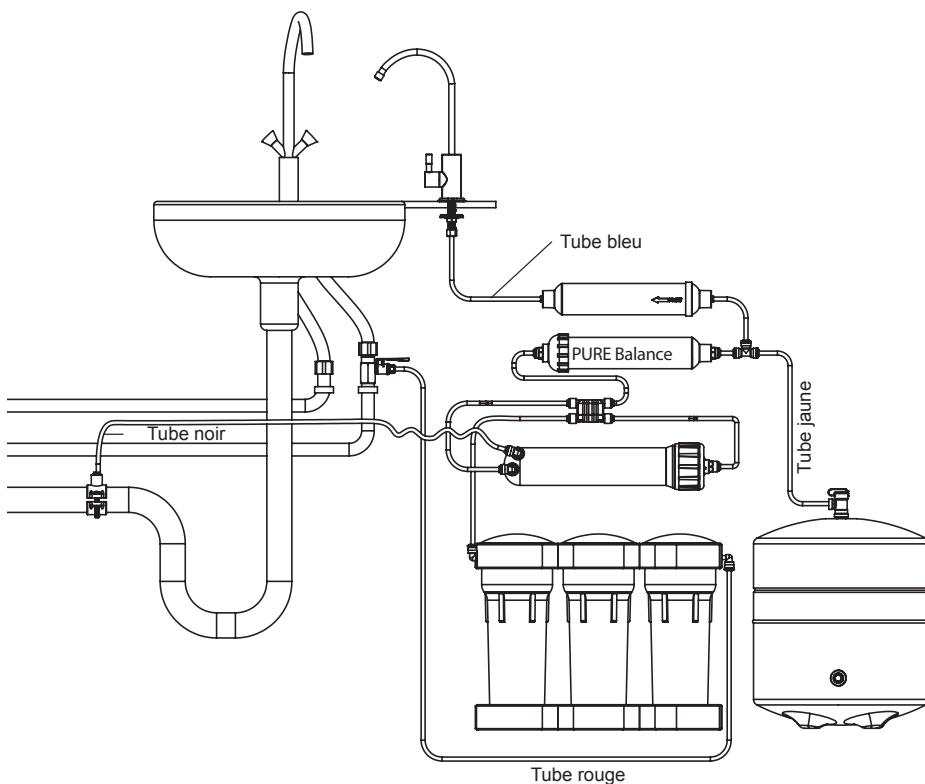
MO 6 100 M P

MO 6 100 M P S

Le fabricant se réserve le droit de modifier la conception du produit ou des composants spécifiques, si cette modification n'entraîne pas une détérioration des propriétés du produit pour le consommateur.

3. SCHÉMAS DE CONNEXION

3.5. DIAGRAMME DE CONNEXION POUR LE SYSTÈME DE BALANCE PURE



Modèles

MO 6 50 M BAL

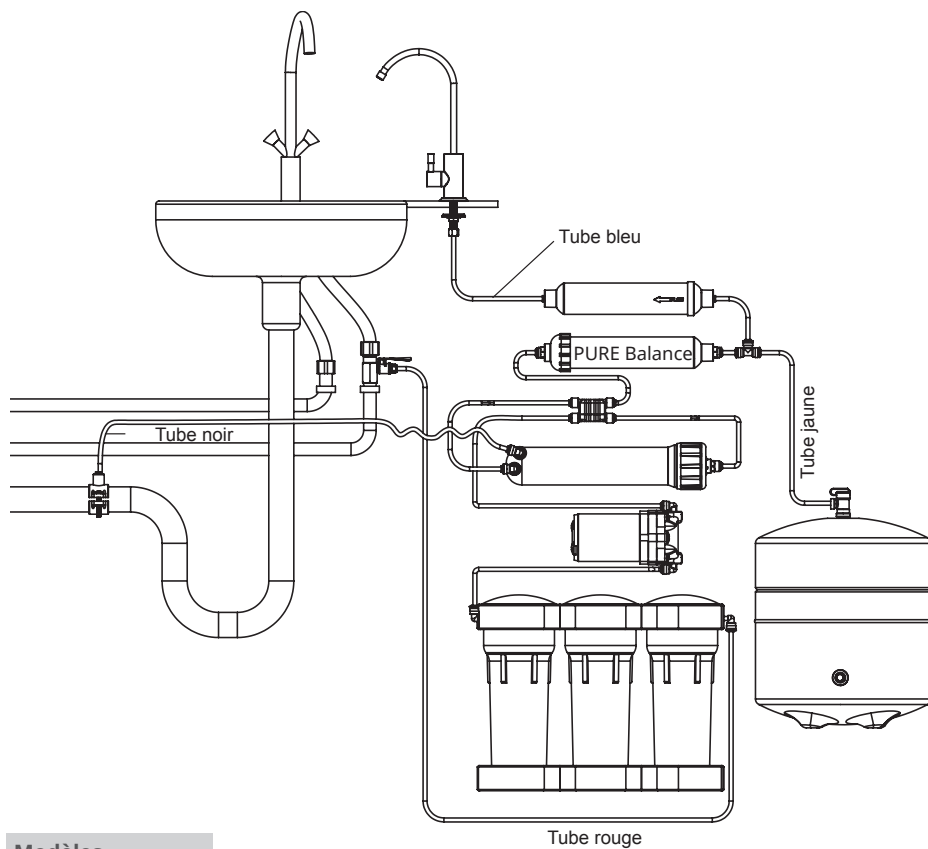
MO 6 75 M BAL

MO 6 100 M BAL

Le fabricant se réserve le droit de modifier la conception du produit ou des composants spécifiques, si cette modification n'entraîne pas une détérioration des propriétés du produit pour le consommateur.

3. SCHÉMAS DE CONNEXION

3.5.1 DIAGRAMME DE CONNEXION POUR LE SYSTÈME D'ÉQUILIBRE PUR AVEC UNE POMP



Modèles

MO 6 50 M P BAL

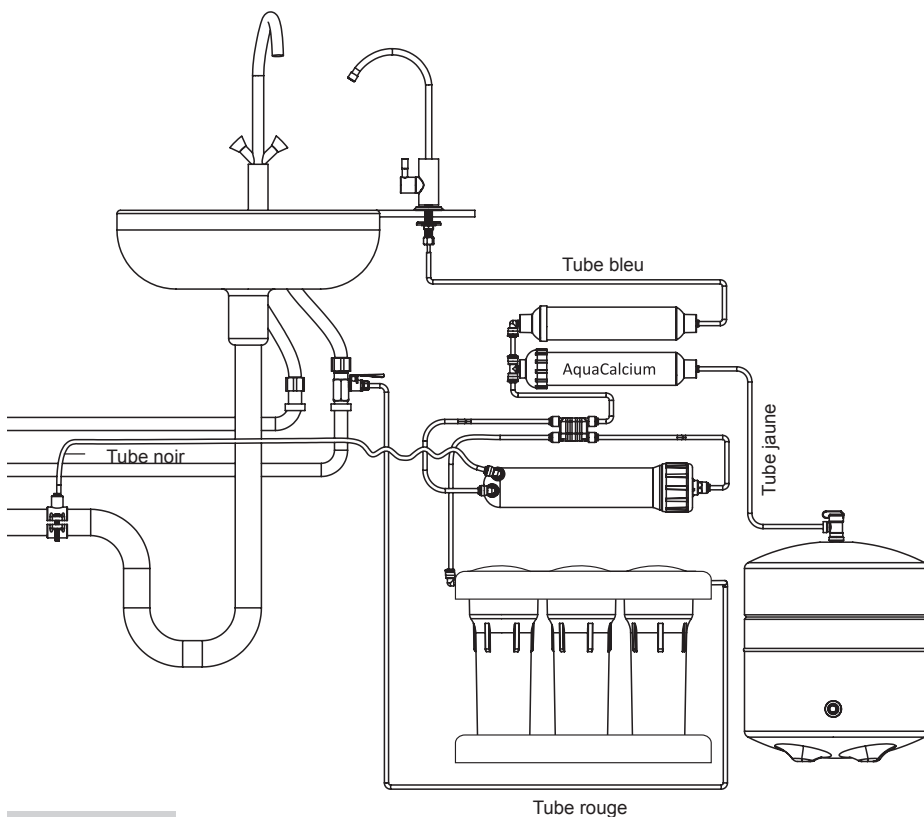
MO 6 75 M P BAL

MO 6 100 M P BAL

Le fabricant se réserve le droit de modifier la conception du produit ou des composants spécifiques, si cette modification n'entraîne pas une détérioration des propriétés du produit pour le consommateur.

3. SCHÉMAS DE CONNEXION

3.6. SCHÉMA DE CONNEXION POUR LE SYSTÈME PURE AQUACALCIUM



Modèles

MO 6 50 MAC

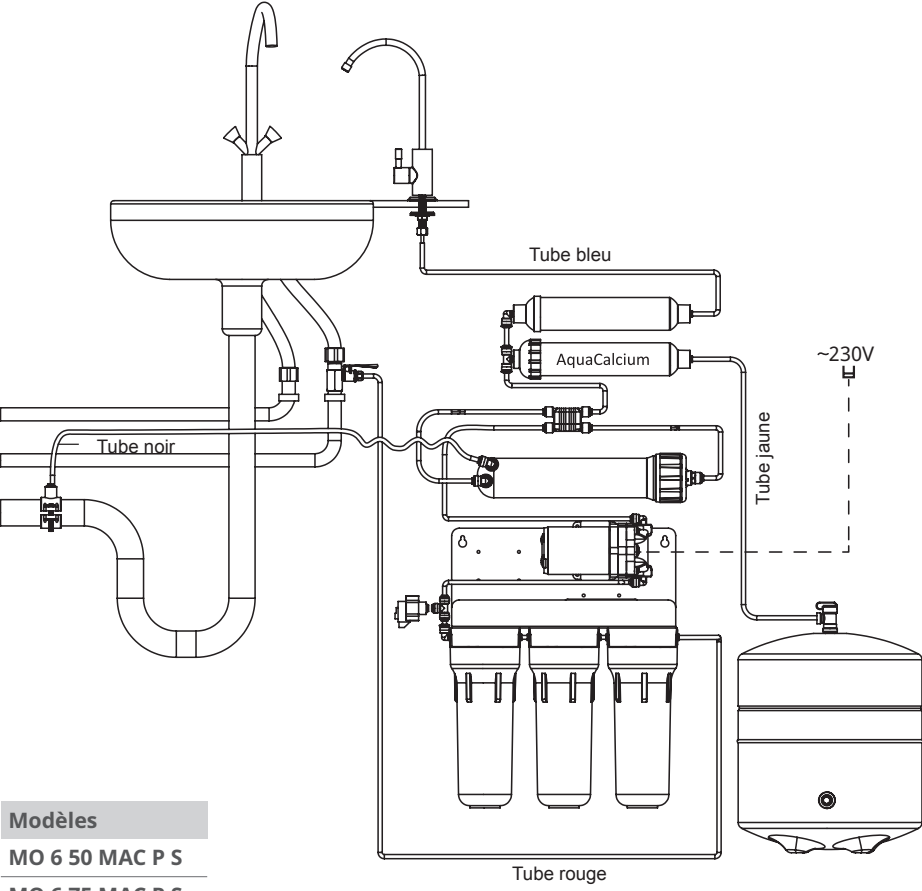
MO 6 75 MAC

MO 6 100 MAC

Le fabricant se réserve le droit de modifier la conception du produit ou des composants spécifiques, si cette modification n'entraîne pas une détérioration des propriétés du produit pour le consommateur.

3. SCHÉMAS DE CONNEXION

3.6.1 SCHÉMA DE CONNEXION POUR LE SYSTÈME PURE AQUACALCIUM AVEC POMPE

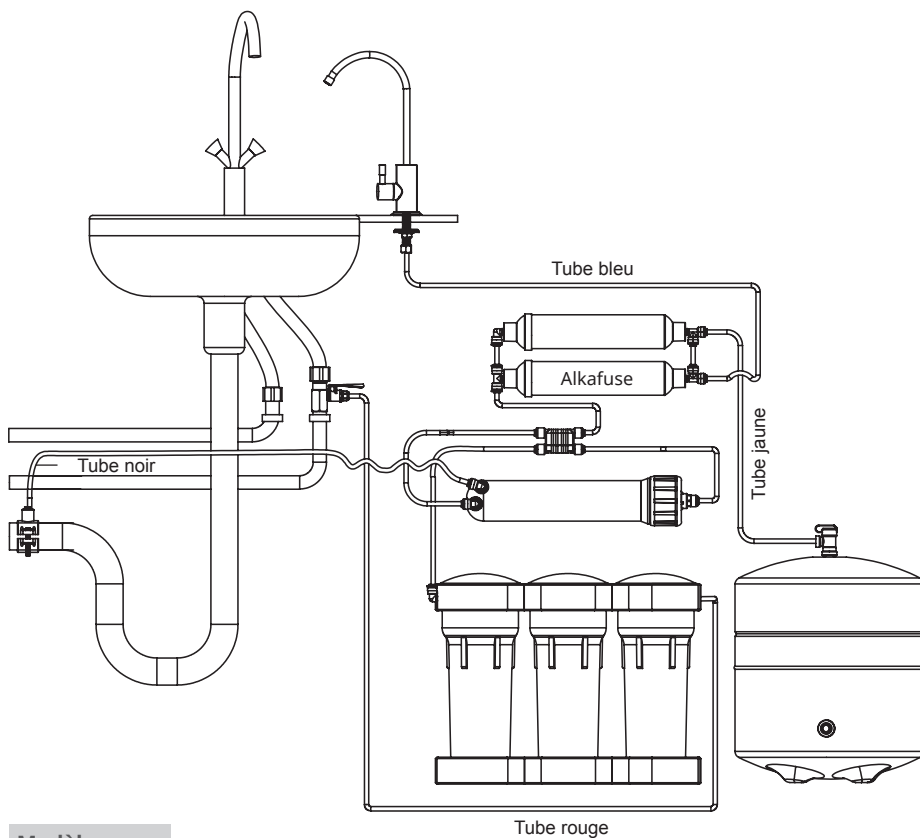


- Modèles**
- MO 6 50 MAC P S**
 - MO 6 75 MAC P S**
 - MO 6 100 MAC P S**

Le fabricant se réserve le droit de modifier la conception du produit ou des composants spécifiques, si cette modification n'entraîne pas une détérioration des propriétés du produit pour le consommateur.

3. SCHÉMAS DE CONNEXION

3.7. SCHÉMA DE CONNEXION POUR LE SYSTÈME PURE ALKAFUSE



Modèles

MO 6 50 ALC

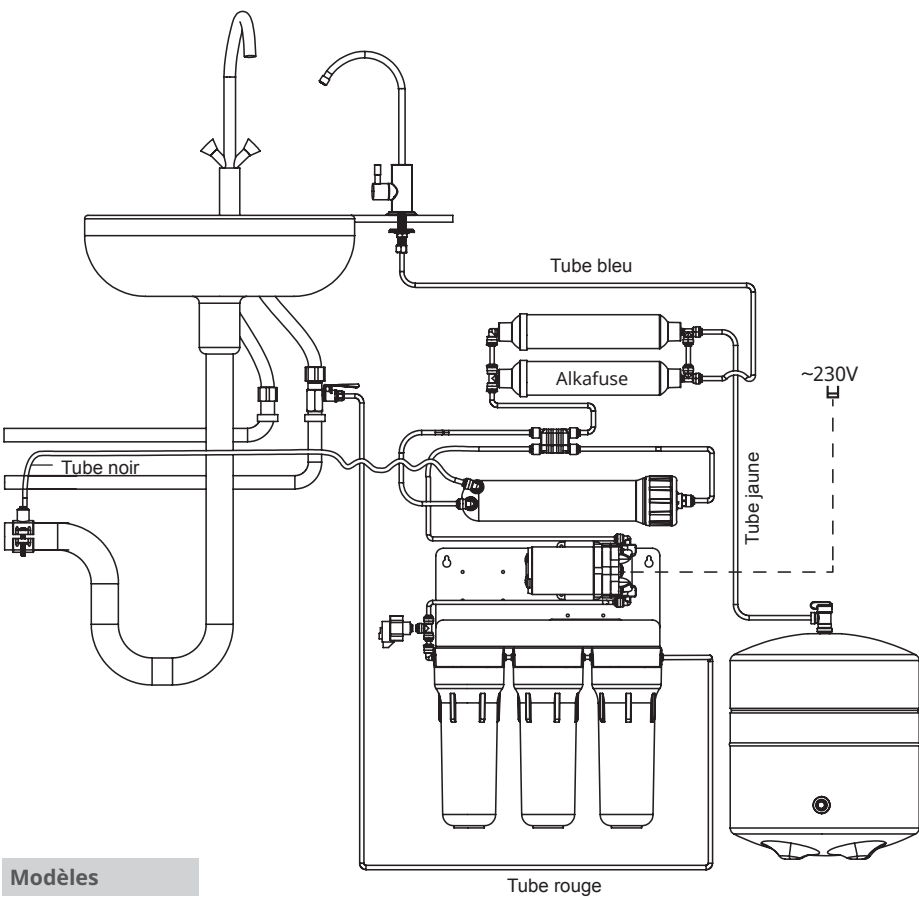
MO 6 75 ALC

MO 6 100 ALC

Le fabricant se réserve le droit de modifier la conception du produit ou des composants spécifiques, si cette modification n'entraîne pas une détérioration des propriétés du produit pour le consommateur.

3. SCHÉMAS DE CONNEXION

3.7.1 DIAGRAMME DE CONNEXION POUR LE SYSTÈME ALKAFUSE PUR AVEC POMPE



- Modèles**
- MO 6 50 ALK P S**

 - MO 6 75 ALK P S**

 - MO 6 100 ALK P S**

Le fabricant se réserve le droit de modifier la conception du produit ou des composants spécifiques, si cette modification n'entraîne pas une détérioration des propriétés du produit pour le consommateur.

4. ÉTAPES DE L'INSTALLATION D'UN SYSTÈME D'OSMOSE INVERSE



Avant d'installer un filtre à osmose inverse domestique, veuillez lire attentivement ces instructions.



Ce système doit être installé conformément aux codes locaux.



Le produit ne doit être utilisé qu'avec une alimentation en eau froide

4.1. AVANT DE COMMENCER L'INSTALLATION

1) Vérifiez que toutes les pièces se trouvent dans l'emballage. N'ouvrez pas les sacs en plastique contenant les pièces du filtre avant de être assuré que tout est en place pour pouvoir renvoyer un colis défectueux/incomplet.

2) Vérifier la conformité des variables locales aux spécifications des exigences :

Pression principale*	Pression du réservoir*	Température de l'eau d'alimentation*
Vérifier la pression de l'eau au réseau avant d'installer le produit. Comparer avec les exigences du paragraphe 2.2.	Vérifier la pression dans la vessie du réservoir. Comparer avec les exigences du paragraphe 2.2.	Vérifier la température de l'eau d'alimentation. Comparer avec les exigences du paragraphe 2.2.

*Se référer au paragraphe 2.2 pour les mesures recommandées au cas où l'une des variables ci-dessus ne répondrait pas aux exigences.

— vérifier que votre produit est conforme aux spécifications du paragraphe 2.2 ;

— vérifier que la qualité de l'eau d'alimentation** est conforme aux exigences du paragraphe 2.3.

**Si la qualité de l'eau d'alimentation ne répond pas aux exigences, est nécessaire de consulter spécialiste du traitement de l'eau.



3) Les systèmes d'osmose inverse doivent être protégés contre les pressions élevées et les coups de bélier causés par les systèmes locaux d'approvisionnement en eau. Un régulateur de pression doit être installé à l'entrée du système. La pression de fonctionnement optimale du système est de 3,5 bars (52,5 psi). Le régulateur de pression est pré-réglé sur ce paramètre par le fabricant. L'absence de régulateur de pression peut endommager les composants sensibles à la pression et annuler la garantie.

4) Avant d'installer le système, assurez-vous qu'il y a suffisamment d'espace pour le porte-filtre et le réservoir sous pression sous l'évier. Si l'espace disponible est insuffisant, le réservoir sous pression peut être placé à un autre endroit, à condition que la longueur du tube jaune soit suffisante pour le relier au reste du système.

5) Avis de sécurité électrique : Cet appareil doit être raccordé à un circuit d'un disjoncteur différentiel. Veuillez tenir compte des exigences en matière de tension.

6) Installez le système conformément aux directives de ce manuel.

7) Avant l'installation, le spécialiste doit noter la date, la pression et la température de l'eau ainsi que les résultats de l'analyse de l'eau dans le journal d'installation (paragraphe 9.1). Ces informations sont essentielles pour contrôler les conditions de fonctionnement du système, assurer une installation correcte et maximiser l'efficacité de la filtration. Après l'installation, le temps de remplissage du réservoir et le taux de conversion doivent être enregistrés. Cela permet d'évaluer les performances du système et de s'assurer que tout écart par rapport à la norme est détecté rapidement, ce qui peut affecter sa productivité.

4. ÉTAPES DE L'INSTALLATION D'UN SYSTÈME D'OSMOSE INVERSE

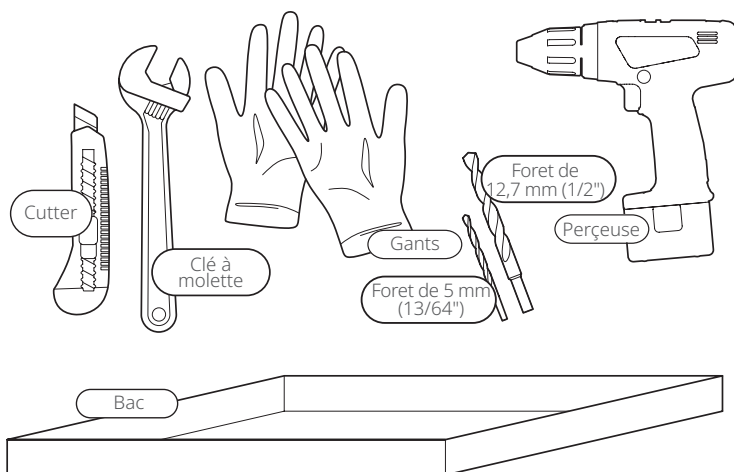
8) L'appareil doit être alimenté par un courant électrique monophasé de 230 VAC, 50 Hz. L'appareil est fourni avec un cordon d'alimentation et peut être connecté à une prise de courant conforme à la norme IEC 60884-1. Les spécifications électriques de l'appareil figurent sur l'autocollant du fabricant. Ce système et son installation doivent être conformes aux lois et réglementations nationales et locales.

4.2. PROCEDURE D'INSTALLATION



ATTENTION ! Ce système a été testé par le fabricant pour détecter les fuites. La présence d'eau résiduelle est donc autorisée à l'intérieur du système. Lavez-vous soigneusement les mains avec un savon antibactérien avant de manipuler les tubes, les cartouches et les membranes. Il est souhaitable que ce système soit installé dans des endroits protégés de la lumière directe du soleil et à l'écart des appareils de chauffage.

4.2.1 OUTILS RECOMMANDÉS POUR L'INSTALLATION



Ne laissez pas les enfants de moins de 3 ans entrer en contact avec les petites pièces lors de l'installation ou de l'entretien du filtre. Tenir les enfants à l'écart du système de filtration et de ses composants sans la surveillance d'un adulte.

4.2.2 PROCEDURE D'INSTALLATION

1. Sortez le système d'osmose inverse de son emballage et vérifiez l'équipement. N'ouvrez pas le sac contenant les composants. Notez que vous ne pourrez pas réclamer les pièces manquantes si le sac est ouvert.
2. Coupez l'alimentation en eau de votre cuisine ou de l'ensemble de votre maison et ouvrez le robinet d'eau à l'endroit où vous allez installer le système (par exemple, l'évier de votre cuisine) pendant une minute pour relâcher la pression dans le système, puis fermez le robinet.

4. ÉTAPES DE L'INSTALLATION D'UN SYSTÈME D'OSMOSE INVERSE

3. Visser l'adaptateur d'eau d'alimentation **4** dans la tuyauterie d'eau froide.
Visser la vanne d'alimentation **5** dans l'adaptateur d'eau d'alimentation **4**. Pour éviter les fuites d'eau, utiliser du ruban d'étanchéité en PTFE.
La taille des raccords est choisie pour s'adapter à la plupart des tuyaux de taille 1/2" et 3/8". Si votre tuyau est d'une autre taille, préparez un adaptateur approprié.

Fig. A1

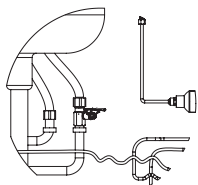


Fig. A2

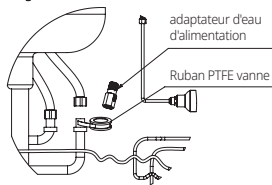
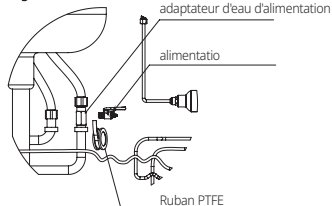
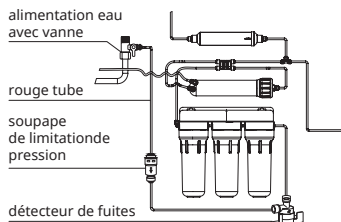


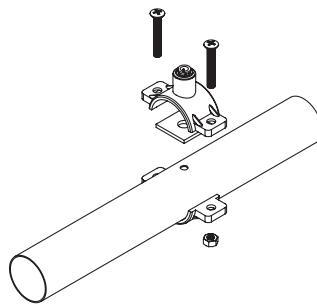
Fig. A3



4. Dévisser l'écrou de compression de la vanne d'alimentation **5** et le placer sur le tube rouge. Poussez le tube rouge sur l'extrémité du raccord de la vanne d'alimentation et vissez l'écrou de compression. L'autre extrémité du tube rouge est déjà connectée au raccord latéral. Branchez le raccord sur le premier boîtier de filtre (le plus à droite) du module de filtration à la place du bouchon rouge.
À partir du robinet d'arrivée d'eau, le premier élément installé le long du tuyau rouge est un mini-réducteur de pression*. Orientez le réducteur de pression* selon la flèche indiquée sur le boîtier (direction du flux d'eau).
Après le réducteur, installez le capteur de fuite*.
Raccordez la sortie du capteur de fuite au filtre à osmose inverse à l'aide du tuyau rouge.
Installez le capteur de fuite* strictement à l'horizontale sur une surface plane sous le système afin que l'élément absorbant puisse fonctionner correctement.



5. Raccorder le collier de prise en charge 8 au tuyau d'évacuation de l'évier de cuisine. Le collier de prise en charge est compatible avec la plupart des tuyaux d'évacuation standard. Percez un trou de 5,0 mm de diamètre dans le tuyau d'évacuation de l'évier de cuisine, appliquez un joint en caoutchouc avec une base collante (inclus dans l'emballage). Installer le collier de prise en charge 8 sur le tuyau d'évacuation pardessus le trou. Serrer les vis de la bague de vidange à l'aide d'un tournevis. Insérer le tube noir dans raccord collier (figure 4). Connecter l'autre extrémité du tube noir à la sortie concentrée du boîtier de la membrane.
ATTENTION ! Vérifier que le régulateur de débit 12 est installé dans le tube noir à l'extrémité connectée au boîtier de la membrane. ATTENTION ! Si les systèmes d'OI n'utilisent pas de robinets à vide, ils doivent être raccordés avec un vide d'air physique entre la sortie des eaux usées et le drain. Ainsi, en cas de reflux drain, les eaux usées ne remonteront pas dans le système d'OI.

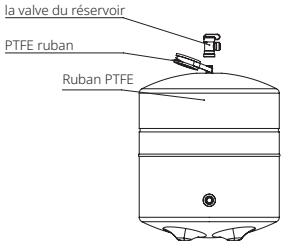


*Ajouté à la composition des filtres à osmose inverse à partir de la date de fabrication 01.01.2026.


4. ÉTAPES DE L'INSTALLATION D'UN SYSTÈME D'OSMOSE INVERSE

6. Ajoutez 5 à 6 tours de ruban PTFE sur le bouton du réservoir et serrez à la main. Vanne du réservoir - ne pas trop serrer, ce qui pourrait causer des dommages. Fermer le robinet du réservoir.

IMPORTANT ! Vérifier la pression d'air dans le réservoir vide. Réservoir doit être pressurisé à 0,4-0,6 bar (5,8-8,7 psi). Si nécessaire, utilisez une pompe munie d'un manomètre pour augmenter la pression ou poussez le noyau de la tige du robinet pour relâcher la pression.



7. Installation du robinet.

7.1  **Si votre evier ne comporte pas de trou pour le robinet d'eau purifiée, il faut le percer.**

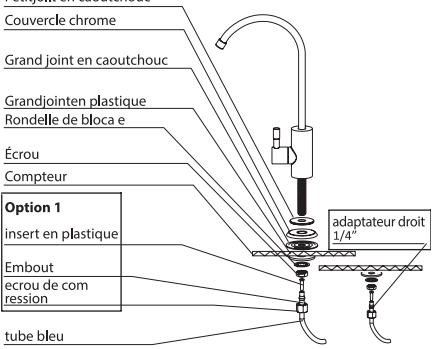
Pour installer le robinet d'eau potable ;Lpercez un trou de 12,5 mm (1 /2") de diamètre pour un robinet a sens unique ou un trou de 17 mm (2/3") de diamètre pour un robinet a double sens, a un endroit pratique de l'évier ou du plan de travail. Attention, les limailles métalliques peuvent endommager l'appareil. La limaille métallique peut endommager votre appareil. Retirez-les avec précaution des que vous avez percé le trou. Si la surface de montage est en céramique ou en pierre, vous aurez peut-être besoin d'un foret spécial en carbure.

7.2 Montez le robinet sur l'évier ou le comptoir comme indique sur la figure. L'écrou, la rondelle de blocage et la rondelle en plastique sur la tige du robinet doivent fixer fermement le robinet sur la surface.

7.3 Prenez le tube bleu, et dans l'ordre suivant, glissez l'écrou de compression, la bague, puis insérez le plastique. insérer dans le tube.

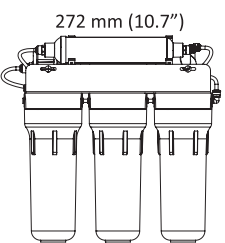
7.4 Pousser le tube bleu aussi profondément que possible dans tateur le dro,t ba, de est la bien tige en du rooplace. inet L'écrou en de s'assurant compression que l'adapse trouve dans le joint. Visser l'écrou de ompression pour.

7.5 Installation du robinet a double levier (pour les modes avec" la configuration correspondante) se fait de la meme maniere.

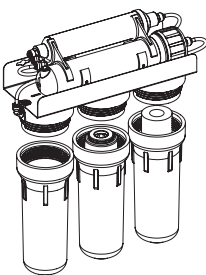
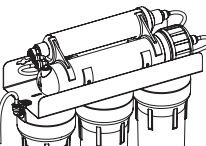
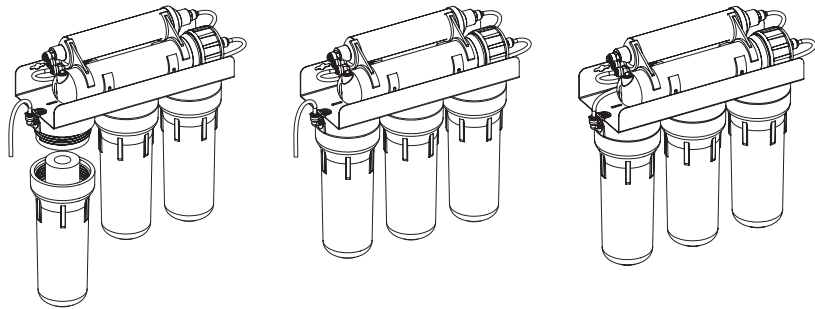


Choisissez votre optbn du set comp let de connexion a facettes

8. Sélectionnez l'endroit ou vous allez installer le filtre et faites deux trous. La distance entre les trous dans le mur doit correspondre exactement a celle entre les trous dans le support. Prevoyez un espace d'au mains 100 mm entre le bas filtre et le sol. Installez des chevilles si necessaire et vissez deux vis (non fournies). La distance entre les trous est de 272 mm (10.7").

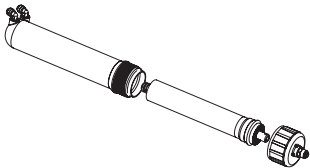
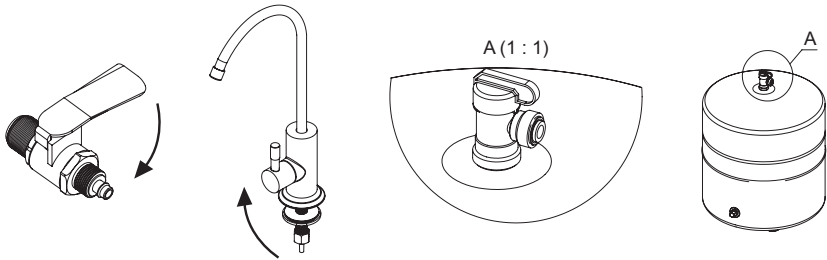


4. ÉTAPES DE L'INSTALLATION D'UN SYSTÈME D'OSMOSE INVERSE

<p>9.</p>	<p>Inserer les cartouches dans le premier et le deuxième logement dans le sens de l'écoulement de l'eau (vers la gauche). Si les cartouches pour les modèles PURE sont installées à l'intérieur du boîtier du filtre, veuillez purger l'air en retirant les bouchons colorés (un bruit peut se produire).*</p>	
<p>10.</p>	<p>Serrer les trois boîtiers à la main.</p>	
<p>11.</p>	<p>Debranchez le tube qui relie le troisième boîtier (dans le sens de l'écoulement de l'eau) à la vanne d'arrêt automatique de la vanne.</p>	
<p>12.</p>	<p>Ouvrez le robinet d'eau 5 et laissez passer les deux premiers pré-filtres avec cartouches 5-7 litres d'eau pour éliminer les particules de carbone (de noire) qui peuvent apparaître dans les cartouches pendant le transport. Fermez ensuite le robinet d'arrivée d'eau avant d'installer la troisième cartouche. ATTENTION ! Cette eau s'écoulera par le tube déconnecté de la vanne d'arrêt automatique, préparez un récipient pour la recueillir.</p>	
<p>13.</p>	<p>Insérer la cartouche dans le troisième bassin dans le sens de l'écoulement de l'eau et fixer à nouveau le bassin. Relier l'extrémité libre du tube à la vanne d'arrêt automatique.</p>	 <p>Si votre filtre à osmose inverse est équipé uniquement de cartouches de pré-filtration CTO Aquagreen et/ou CTO (sans filtre à charbon actif en vrac GAC), vous pouvez ignorer les points 9 à 14.* Si les cartouches pour les modèles PURE sont installées à l'intérieur du boîtier du filtre, veuillez purger l'air en retirant les bouchons colorés. Pour ces filtres, vous pouvez également ignorer les points 9 à 14.*</p>

*Ajouté à la composition des filtres à osmose inverse à partir de la date de fabrication 01.01.2026.

4. ÉTAPES DE L'INSTALLATION D'UN SYSTÈME D'OSMOSE INVERSE

14.	<p>Installer la membrane 11 dans le boîtier de la membrane. ATTENTION ! Coupez le sac en plastique pour installer la membrane d'osmose inverse. Installez la membrane sans la déballer au préalable en la poussant dans le boîtier directement à partir du sac. Évitez de toucher la membrane et maintenez-la uniquement recouverte par le sac.</p>	
15.	<p>Laisser le robinet d'alimentation 5 et le robinet d'eau purifiée 3 ouverts pendant 30 minutes. Ouvrez ensuite le robinet du réservoir 6. Fermez le robinet 3 et vérifiez soigneusement l'absence de tous les raccords. ATTENTION ! La première semaine suivant l'installation, vérifiez quotidiennement l'état du système, puis périodiquement. Si vous partez pour une longue période, par exemple pour un voyage d'affaires ou des vacances, fermez l'arrivée d'eau.</p>	
16.	<p>Laissez le réservoir d'eau se remplir (vous entendrez l'eau s'arrêter de couler). En fonction de la pression de l'eau dans votre réseau, cela peut prendre de 1,5 à 3 heures. Ensuite, vidangez toute l'eau du réservoir en ouvrant le robinet 3 jusqu'à ce que l'eau s'écoule goutte à goutte ou lentement. Une fois le réservoir vidé, fermez le robinet 3 pour que le réservoir se remplisse à nouveau. En fonction de la pression de votre réseau d'eau, cela peut prendre de 1,5 à 3 heures. Vidangez 2 à 3 réservoirs d'eau. Vous pouvez ensuite utiliser de l'eau purifiée. Sur les modèles de filtres équipés d'un post-filtre minéralisant, l'eau purifiée peut être légèrement trouble après l'installation. Vidangez plusieurs réservoirs supplémentaires d'eau purifiée.</p>	
17.	<p>Au début, l'eau peut sembler trouble, ce qui est dû à la présence d'air dans le système. Si vous laissez le verre d'eau pendant quelques minutes, l'eau deviendra claire à mesure que l'air s'échappe. Ce phénomène est normal et finira par s'éclaircir au fur et à mesure que l'air sera évacué des filtres.</p>	

5. ÉTAPES APRÈS L'INSTALLATION

LA VÉRIFICATION DES PARAMÈTRES DE FONCTIONNEMENT DE L'UNITÉ

1. Mesurer le temps nécessaire au remplissage du réservoir. Le réservoir est rempli lorsque le déversement du concentré dans l'égout a cessé. La valeur obtenue dépend de la pression de l'eau d'alimentation (pression dans le réseau d'eau).

5. ÉTAPES APRÈS L'INSTALLATION

2. Mesurez le taux de récupération (proportion de l'eau d'alimentation qui est purifiée). Vous aurez besoin d'un gobelet gradué de 1 L (1 pinte) et d'un chronomètre. Fermez la vanne 6 du réservoir, ouvrez le robinet 3 et mesurez le temps nécessaire à l'unité pour produire 1 L de perméat (eau purifiée), puis fermez le robinet 3. Notez le résultat (t_{Permeate} dans l'équation ci-dessous). Déconnectez le tube noir relié à l'évacuation de l'évier de la sellette d'évacuation. Ouvrez le robinet 3 et mesurez le temps nécessaire à l'appareil pour produire 1 L (1 pinte) de concentré (eau usée), puis fermez le robinet 3 et ouvrez la vanne 6 du réservoir. Notez le résultat ($t_{\text{Concentré}}$ dans l'équation ci-dessous). Calculez la récupération à l'aide de la formule :

$$R, \% = \frac{t_{\text{concentré}}}{t_{\text{perméat}} + t_{\text{concentré}}} \times 100 \%$$

Où t est le nombre de secondes pour obtenir 1 L (1 quart) d'eau, R est la récupération.

3. Mesurer le TDS de l'eau d'alimentation et le TDS de l'eau purifiée à l'aide d'un compteur de TDS étalonné.

4. Vérifier le bon fonctionnement de la vanne d'arrêt automatique. Fermer le robinet 6 du réservoir et le robinet 3. L'appareil doit cesser de fonctionner (l'eau doit cesser de s'écouler vers l'égout) dans les 10 minutes.

5. Vérifier l'étanchéité de l'appareil.

6. Conseiller le propriétaire de l'unité sur l'entretien du filtre et l'encourager à lire ce manuel.

7. Consigner la mise en service dans le registre d'entretien figurant au paragraphe 9 du présent manuel.

8. Le système d'osmose inverse contient un composant de traitement de remplacement, essentiel pour la réduction efficace des solides dissous totaux, et l'eau produite doit être testée périodiquement pour vérifier que le système fonctionne correctement.

6. UTILISATION

1) Objectif du système

Le système d'osmose inverse domestique est conçu pour le post-traitement de l'eau froide uniquement.

2) Remplacement des cartouches de pré-filtre

Si le temps de remplissage du réservoir a augmenté, cela peut indiquer que le jeu de cartouches de pré-filtre a atteint la fin de sa durée de vie et doit être remplacé immédiatement. Tout retard dans le remplacement des cartouches risque d'endommager ou de détruire la membrane. Pour éviter de telles situations critiques, nous recommandons vivement de remplacer le jeu de cartouches du préfiltre au moins une fois tous les six mois. Il est important que les cartouches soient compatibles avec votre modèle de filtre.

6. UTILISATION

3) Remplacement de la membrane d'osmose inverse

Si le taux de filtration chute de manière significative, cela peut être le signe que la membrane d'osmose inverse a besoin d'être remplacée. Pour garantir une qualité stable de l'eau purifiée, il est recommandé de remplacer la membrane d'osmose inverse au moins tous les ans ou tous les ans et demi. Si le niveau de TDS (Total Dissolved Solids) dans l'eau purifiée dépasse la limite autorisée, c'est également un signal de remplacement de la membrane.

4) Désinfection et remplacement des éléments filtrants

En cas d'interruption prolongée du fonctionnement du système (plus de 2 semaines), il est nécessaire de désinfecter le système comme décrit au point 7, ainsi que de remplacer tous les éléments filtrants. Cela empêchera l'accumulation de micro-organismes et garantira une qualité élevée de l'eau après utilisation. La désinfection du système comprend également le traitement des tuyaux et du réservoir d'eau afin d'éviter la prolifération de bactéries ou de moisissures.

5) Fermer l'arrivée d'eau en cas d'absence prolongée

Si vous prévoyez de ne pas utiliser le système pendant une période prolongée (plus de deux jours, par exemple, pendant des vacances ou un voyage d'affaires), il est recommandé de couper l'alimentation en eau du système. Cela permettra d'éviter les fuites d'eau ou les dommages potentiels au système, en particulier dans le cas de situations imprévues, telles que des fluctuations de pression ou des problèmes de connexion.

Il est également important vérifier l'étanchéité de tous les raccords avant de laisser le système sans surveillance.

6) Contrôle de la pression de l'eau

L'eau doit être fournie au système à une pression correspondant aux paramètres recommandés par le fabricant (généralement de 2 à 4,5 bars). Si la pression de l'eau est trop faible, le système risque de fonctionner de manière inefficace, et si elle est trop élevée, elle risque d'endommager la membrane. L'utilisation d'un réducteur de pression d'eau pour ajuster la pression est obligatoire.

7) Installation d'un régulateur de pression avant le système d'osmose inverse

Le système d'osmose inverse doit être protégé contre les pressions élevées et les fortes fluctuations de pression qui peuvent survenir en raison des caractéristiques du système local d'approvisionnement en eau. Un régulateur de pression doit être installé à l'entrée du système. La pression de fonctionnement optimale du système est la suivante 3,5 bars (52,5 psi). L'absence de régulateur de pression peut endommager les composants sensibles à la pression et annuler la garantie.

8) Ne pas utiliser le système pour purifier de l'eau contenant des huiles, des solvants ou des produits chimiques agressifs

L'osmose inverse ne convient pas à la purification de l'eau contenant des solvants organiques, des huiles ou d'autres produits chimiques agressifs. Ces contaminants peuvent endommager la membrane et réduire l'efficacité de la filtration. Des systèmes de filtration spécialisés sont nécessaires pour purifier l'eau contenant de tels polluants.

9) Nettoyage des composants externes

Pour maintenir la propreté et la sécurité du système, nettoyez les composants externes (par exemple, le boîtier, les connexions) à l'aide d'un chiffon doux imbibé d'une solution de nettoyage. Évitez d'utiliser des produits chimiques agressifs qui pourraient endommager la surface et les

6. UTILISATION

composants du système.

10) Surveillance du fonctionnement du système

Vérifiez périodiquement le fonctionnement du système, surveillez les changements de performance et le niveau d'eau dans le réservoir. Si le système commence à fonctionner à des niveaux réduits ou s'il y a des bruits ou des odeurs inhabituels, cela peut indiquer la nécessité d'un entretien immédiat ou du remplacement d'un composant.

11) Enregistrer la date et le travail effectué dans le carnet d'entretien lors de chaque révision

Pour des raisons de commodité et de bon fonctionnement du système, il est recommandé de tenir un registre d'entretien. Il doit enregistrer les dates de remplacement des cartouches, des membranes et des autres composants, ainsi que les dates de désinfection et d'autres tâches d'entretien importantes.

12) Vérifier l'étanchéité du système

Vérifiez que le système ne présente pas de fuites. Si des fuites sont détectées, contactez l'équipe de service.

13) Pour éviter les fuites et garantir le bon fonctionnement du filtre, les joints d'étanchéité placés dans les flacons des éléments filtrants doivent être remplacés au moins une fois par an.

Le non-respect de cette exigence peut entraîner une panne du système et des fuites.

14) Mini-réducteur de pression

Installez le réducteur sur le tuyau d'entrée du filtre en respectant le sens du débit d'eau indiqué par la flèche sur le corps.

15) Capteur de fuite

Installez le capteur horizontalement sous le système, sur une surface plane, entre le réducteur de pression et le filtre.

Exclusion de garantie :

La garantie ne couvre pas les dommages causés par la violation des conditions de fonctionnement, telles que l'utilisation du système à des fins autres que celles prévues, un entretien ou des modifications inappropriés, l'absence de régulateur de pression ou l'utilisation d'une eau contenant des produits chimiques agressifs. Le non-respect des recommandations concernant le remplacement des cartouches, le remplacement des membranes, le contrôle de la pression de l'eau ou la désinfection peut entraîner la perte de la garantie.

6. UTILISATION

6.1. LES ÉLÉMENTS DU FILTRE ET LEUR FRÉQUENCE DE REMPLACEMENT RECOMMANDÉE

Stade de filtration	Nom de la cartouche	Délai de remplacement*
Premier, deuxième, troisième	Filtre à sédiments Ecosoft en polypropylène soufflé par fusion 5 microns Filtre à charbon actif Ecosoft Granual Filtre à charbon Ecosoft AquaGreen Filtre à sédiments Ecosoft en polypropylène soufflé par fusion 1 micron Filtre de remplacement du bloc de charbon actif Ecosoft CTO Filtre de remplacement Ecosoft Sediment en polypropylène 5 microns avec effet bactériostatique	Une fois tous les 3 mois pour tous les modèles systèmes d'osmose inverse, à l'exception des modèles dotés de la technologie AquaGreen. Une fois tous les 6 mois pour les modèles équipés de la technologie AquaGreen
Quatrième	Membrane d'osmose inverse Ecosoft* 50 GPD Membrane d'osmose inverse Ecosoft* 75 GPD Membrane d'osmose inverse Ecosoft* 100 GPD	Une fois par an
Cinquième, sixième	Ecosoft Cpostfiltre au charbon de coco Ecosoft Balance Postfiltre minéralisant Ecosoft Alkafuse Ecosoft Ecosoft AquaCalcium	Une fois tous les 6 mois

* Ce système d'osmose inverse contient un composant de traitement remplaçable, essentiel pour une réduction efficace des solides dissous totaux. L'eau produite doit être testée périodiquement pour vérifier que le système fonctionne de manière satisfaisante.



Pour acheter des composants de remplacement, visitez le site www.ecosoft.com.

LES FILTRES DE REMPLACEMENT SONT COMPATIBLES AVEC L'OSMOSE INVERSE DOMESTIQUE

Série standard

Type de cartouche	Recommended replacement period*, months	Filter model		
		MO550ECOSTD	MO550PECOSTD	MO650MECOSTD
Cartouches de pré-filtre	tous les 3	CPV3ECOSTD ou CHV3ECO		
Élément de membrane	tous les 12	CSV181250ECO		
Post-filtre à charbon	tous les 6	CHV2010ECOPKG		
Post-filtre du minéralisateur	tous les 6	—	—	PD2010ECOPKG

*La fréquence de remplacement des cartouches dépend de la qualité de l'eau à l'entrée, la durée maximale d'utilisation des éléments remplaçables à compter de leur installation est de 2 ans.

6. UTILISATION

Cartouche type	Période de réinsertion recommandée*, en mois	Modèle de filtre		
		MO550MECOSTD	MO550MPECOSTD	MO550MPSECOSTD
Préfiltre cartouches	chaque 3		CPV3ECOSTD	
Membrane élément	chaque 12		CSV181250ECO	
Carbone postfiltre	chaque 6	—	—	—
Minéralisateur postfiltre	chaque 6		PD2010ECOPKG	

Série absolue

Cartouche type	Période de réinsertion recommandée*, en mois	Modèle de filtre	
		MO675MECO	MO675MPSECO
Préfiltre jeu de cartouches et minéralisateur et/ou postfiltre	chaque 6	CHV5ECOABS	
Jeu de cartouches de pré-filtre et minéralisateur et/ou post-filtre avec élément membranaire	chaque 12	CHV6ECOABS	

Série PURE

Cartouche type	Période de réinsertion recommandée*, en mois	Modèle de filtre		
		MO675MPUREBALECO MO675MBALPSECO	MO675PUREMACECO MO675PSMACECO	MO675ALCPUREECO MO675MALCPSECO
Préfiltre jeu de cartouches et miner- aliseur et/ou postfiltre	6	CHV5PUREBAL	CHV5PUREMAC	CHV5PUREALC
Ensemble de cartouches de pré-filtre et minéralisateur et/ou post-filtre avec élément membranaire	12	CHV6PUREBAL	CHV6PUREMAC	CHV6PUREALC

*La fréquence de remplacement des cartouches dépend de la qualité de l'eau à l'entrée, la durée maximale d'utilisation des éléments remplaçables à compter de leur installation est de 2 ans.

6. UTILISATION



En cas de baisse de la qualité de l'eau entrante, la durée de vie du filtre de remplacement peut être réduite.



L'entretien du système ne doit être effectué que par un spécialiste qualifié.



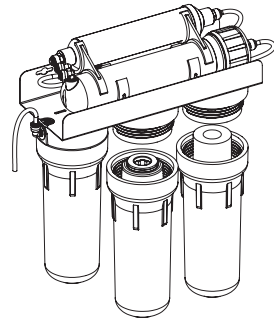
Le remplacement des cartouches de prétraitement est nécessaire tous les 3 mois pour tous les modèles de filtres, à l'exception des modèles dotés de la fonction AquaGreen. Pour les modèles dotés de la fonction AquaGreen, le remplacement est nécessaire tous les 6 mois.



Pour acheter des filtres de remplacement, visitez le site <https://www.ecosoft.com/>

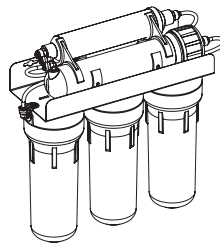
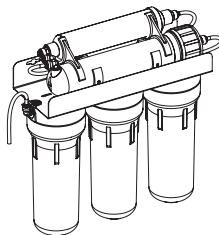
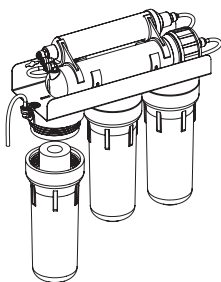
6.2. LA PROCÉDURE DE REMPLACEMENT DES CARTOUCHES DE PRÉ-FILTRE

1.	Fermer la vanne d'alimentation 5 et la vanne du réservoir 6 .
2.	Lavez-vous les mains avec un savon antibactérien.
3.	Dévisser à l'aide de la clé de puisard 10 premier et deuxième puisards dans le sens de l'écoulement de l'eau (de droite à gauche). Soyez prudent car les puisards sont remplis d'eau.
4.	Retirez les cartouches filtrantes usagées.
5.	Laver les puisards avec un savon non aromatisé et une éponge propre, puis rincer abondamment à l'eau.
6.	Insérer les nouvelles cartouches dans les premier et deuxième puisards en respectant le sens d'écoulement de l'eau.
6.1	Si votre kit de cartouches pour filtre à osmose inverse ne contient que des cartouches CTO Aquagreen et/ou CTO (sans filtre à charbon actif en vrac GAC), vous pouvez ignorer les points 7 à 11.
7.	Déconnecter le tube provenant du troisième puisard de vanne d'arrêt automatique.
8.	Ouvrez le robinet d'alimentation 5 et rincez les deux premières cartouches installées avec 5 à 7 litres d'eau pour rincer la poussière de carbone qui peut avoir été produite dans les cartouches pendant le transport. ATTENTION ! Cette eau s'écoulera par le tube déconnecté de la vanne d'arrêt automatique. Préparez un récipient pour la recueillir.



6. UTILISATION

<p>9.</p> <p>10.</p> <p>11.</p>	<p>Retirez le carter du troisième préfiltre de la tête de filtre. Soyez prudent car il est rempli d'eau.</p> <p>Retirez la cartouche filtrante usagée et lavez le bassin avec un savon non parfumé et une éponge propre, puis rincez abondamment à l'eau.</p> <p>Insérez la nouvelle cartouche dans le troisième carter. Revissez le carter et laissez passer au moins 4 litres d'eau supplémentaires pour évacuer la poussière de carbone. Fermez la vanne d'alimentation 5 et reconnectez le tuyau avec la vanne d'arrêt automatique.</p>
<p>13.</p>	<p>Ouvrir la vanne du réservoir 6.</p>
<p>14.</p>	<p>Ouvrir la vanne d'alimentation 5.</p>



FR

6.3. LA PROCÉDURE DE REMPLACEMENT DE LA MEMBRANE



Le remplacement de la membrane doit être effectué par un spécialiste qualifié.

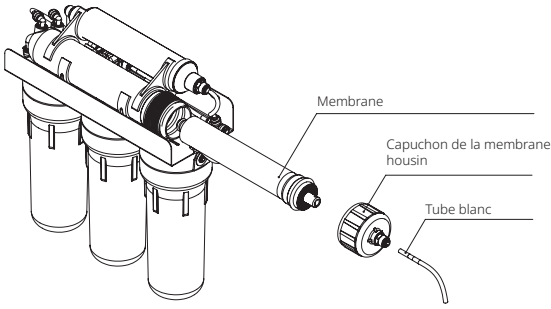


Pour acheter des filtres de remplacement, visitez le site <https://www.ecosoft.com/>



Le remplacement de la membrane d'osmose inverse est recommandé une fois par an.

6. UTILISATION

1.	Couper l'alimentation en eau système (vanne d'alimentation 5), fermer la vanne du réservoir 6 .
2.	Ouvrir le robinet d'eau purifiée 3 pour relâcher la pression du perméat.
3.	Déconnecter le tube blanc de l'entrée du capuchon du boîtier de la membrane. Dévisser
4.	le capuchon du boîtier de la membrane.
5.	Retirez la membrane d'osmose inverse 11 usagée (souvenez-vous de l'extrémité de la membrane).
	
6.	Lubrifier les joints en caoutchouc de la membrane de remplacement neuve et le joint du capuchon du boîtier de la membrane. ATTENTION ! Pour éviter d'endommager la membrane, n'utilisez que du glycérol de qualité alimentaire comme lubrifiant.
7.	Installer la nouvelle membrane dans le boîtier, en respectant le sens et la position du tube. ATTENTION ! Coupez le sac en plastique pour installer la membrane d'osmose inverse. Installez la membrane sans la déballer au préalable en la poussant dans le boîtier directement à partir du sac. Évitez de toucher la membrane et tenez-la uniquement recouverte par le sac.
8.	Visser le capuchon du boîtier.
9.	Connecter le tube blanc à l'entrée du boîtier de la membrane.
10.	Ouvrir le robinet d'arrivée d'eau 5 .
11.	Ouvrir le robinet d'arrivée d'eau 5 et le robinet d'eau purifiée 3 pendant 30 minutes. Tourner le robinet à boisseau sphérique 6 du réservoir 2 en position "ouverte". Fermer le robinet d'eau purifiée 3 et vérifier soigneusement l'absence de tous les raccords.
12.	Fermer le robinet d'eau potable 3 .
13.	Ouvrir le robinet du réservoir 6 .
14.	Ouvrir la vanne d'alimentation 5 .
15.	Lorsque le réservoir est plein (vous entendrez l'eau s'arrêter de couler), vidangez toute l'eau du réservoir dans l'évier en ouvrant le robinet 3 . Lorsque l'eau cesse de couler, fermez le robinet d'eau purifiée 3 pour que le réservoir commence à se remplir. En fonction de la pression de votre réseau d'eau, le remplissage peut prendre de 1,5 à 3 heures. Après le deuxième remplissage du réservoir, vous pouvez utiliser l'eau purifiée en toute sécurité.

6. UTILISATION

6.4. LA PROCÉDURE DE REMPLACEMENT DU POSTFILTRE À CHARBON ET/OU DU POSTFILTRE MINÉRALISANT



L'entretien du système ne doit être effectué que par un spécialiste qualifié.

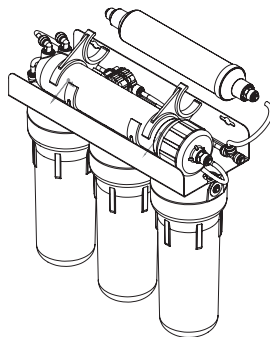


Pour acheter des filtres de remplacement, visitez le site <https://www.ecosoft.com/>



Le remplacement du post-filtre à charbon et du reminéralisateur doit être effectué tous les 6 mois.

1.	Couper l'alimentation en eau système (vanne d'alimentation 5), fermer la vanne du réservoir 6 .
2.	Ouvrir le robinet d'eau purifiée 3 pour relâcher la pression du perméat.
3.	Déconnectez les tubes qui relient le postfiltre à charbon / le postfiltre minéralisant au reste du système (souvenez-vous de ce qui va où).
4.	Retirez le post-filtre à charbon usagé / le post-filtre minéralisant des supports de fixation.
5.	Installer le nouveau post-filtre à charbon / post-filtre minéralisant, en se guidant sur les flèches qui indiquent le sens d'écoulement de l'eau.
6.	Raccordez les tubes au nouveau postfiltre à charbon / postfiltre minéralisant pour le connecter au système.
7.	Ouvrir la vanne d'alimentation 5 . Ouvrir la vanne du réservoir 6 .
8.	Lorsque le réservoir est plein (vous entendrez l'eau s'arrêter de couler), vidangez toute l'eau du réservoir dans l'évier en ouvrant le robinet 3 . Lorsque l'eau cesse de couler, fermez le robinet d'eau purifiée 3 pour que le réservoir commence à se remplir à nouveau. En fonction de la pression de votre réseau d'eau, le remplissage peut prendre de 1,5 à 3 heures. Après le deuxième remplissage du réservoir, vous pouvez utiliser l'eau purifiée en toute sécurité. Dans les modèles de filtres dotés d'un post-filtre minéralisant, l'eau purifiée peut être légèrement trouble après l'installation. Vidanger plusieurs réservoirs supplémentaires d'eau purifiée.



7. DÉSINFECTION DU FILTRE À OSMOSE INVERSE



L'entretien du système ne doit être effectué que par un spécialiste qualifié.

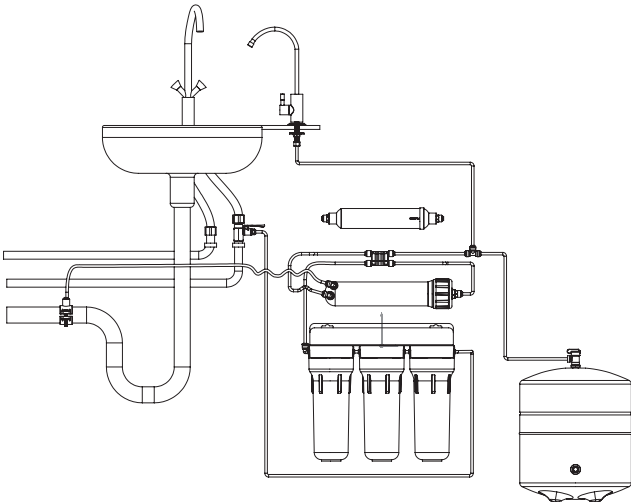
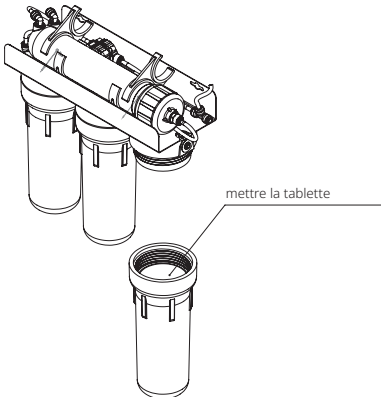
Il est recommandé de désinfecter le filtre à osmose inverse après une période d'utilisation prolongée (~ 6 mois) et lorsque le filtre ne sera pas utilisé pendant 2 semaines ou plus à la fois. Il est également souhaitable de désinfecter le système lors du remplacement des cartouches. Il est recommandé d'utiliser des comprimés de désinfectant au chlore pour désinfecter les filtres à osmose inverse.



Le désinfectant est nocif ! Ne le laissez pas à la portée des enfants. Après avoir utilisé le désinfectant, lavez-vous soigneusement les mains.

1.	Fermer la vanne d'alimentation 5 et la vanne du réservoir 6 .
2.	Retirez et mettez au rebut les cartouches de pré-filtre et le post-filtre à charbon. <div data-bbox="640 641 993 1084" style="text-align: center;"> </div>
3.	Dévisser le capuchon du boîtier de la membrane et retirer la membrane à l'aide d'une pince à aiguilles si nécessaire. Mettre la membrane dans un sac étanche et la conserver au réfrigérateur à +2...+5°C (36...41 °F).
4.	Revisser les deuxième et troisième puisards de pré-filtration, visser le capuchon du boîtier de la membrane et raccorder le tube du robinet directement té d'union sans post-filtre à charbon. <div data-bbox="660 1209 998 1494" style="text-align: center;"> </div>

7. DÉSINFECTION DU FILTRE À OSMOSE INVERSE

4.	
5.	<p>Mettez une pastille de chlore dans le premier bassin. Remplir le bassin d'eau et visser.</p> 
6.	Après 15 minutes, ouvrir le robinet d'eau potable 3 et la vanne d'alimentation 5 .
7.	Lorsque l'eau qui coule du robinet 3 commence à sentir le chlore, fermez le robinet 3 et la vanne d'alimentation 5 .
8.	Laisser le système en place pendant 2 à 3 heures.
9.	Ouvrir le robinet 3 et la vanne d'alimentation 5 et laisser couler l'eau jusqu'à ce que l'odeur de javel disparaisse.
10.	Remettre en place toutes les pièces consommables dans le système. Ouvrir la vanne de réservoir 6 et la vanne d'alimentation 5 .
11.	Vider réservoir et le remplir à nouveau au moins deux fois (jusqu'à ce que l'odeur de chlore ne soit plus perceptible).

7. DÉSINFECTION DU FILTRE À OSMOSE INVERSE

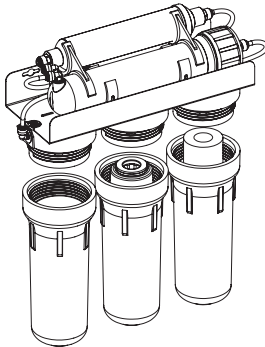
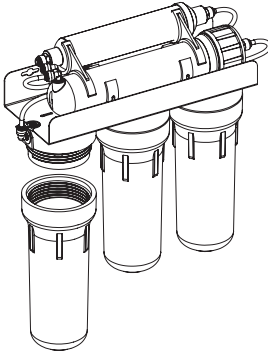
7.1. ASSAINISSEMENT DU RÉSERVOIR SOUS PRESSION



L'entretien du système ne doit être effectué que par un spécialiste qualifié.

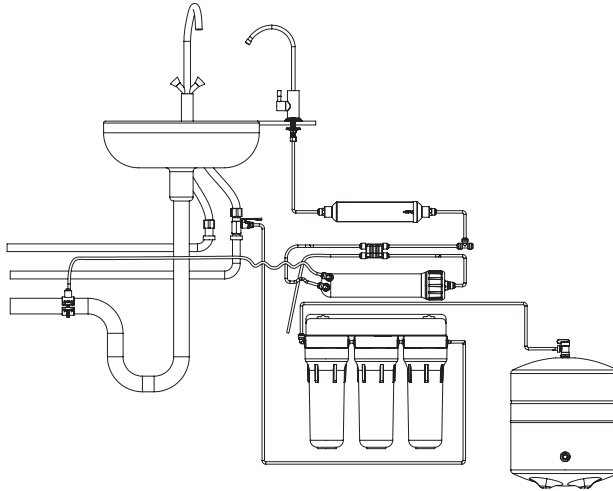


Le désinfectant est nocif ! Ne le laissez pas à la portée des enfants. Après avoir utilisé le désinfectant, lavez-vous soigneusement les mains.

1.	Fermer le robinet d'alimentation 5 .
2.	Ouvrez le robinet 3 et videz le réservoir de pression dans le drain.
3.	Fermer la vanne du réservoir 6 .
4.	<p>Extraire les cartouches de pré-filtre.</p> 
5.	<p>Remonter les 2(nd) et 3rd puisards (par sens d'écoulement de l'eau) sur le filtre.</p> 

7. DÉSINFECTION DU FILTRE À OSMOSE INVERSE

6. Déconnecter le tuyau allant au réservoir de stockage du té d'union avant le post-filtre à charbon, et dans la sortie du 3^{ème} pré-filtre.



7. Mettez une pastille de désinfection dans le 1^{er} bassin. Remplir le carter d'eau et le visser.
8. Après 15 minutes, ouvrir le robinet **6** du réservoir.
9. Ouvrir le robinet d'alimentation **5** pendant 5 minutes.
10. Fermez la vanne **6** du réservoir et laissez le réservoir rempli de solution chlorée pendant 1 à 2 heures.
11. Ouvrez la vanne **6** du réservoir et vidangez toute l'eau du réservoir dans l'évier. Déconnectez-le du troisième pré-filtre et rétablissez la tuyauterie d'origine du système.
12. Placer les cartouches dans les puisards et installer les puisards sur leur tête. Ensuite, ouvrir la vanne de réservoir **6** et la vanne d'alimentation **6**.
13. Vider le réservoir et le remplir à nouveau au moins trois (jusqu'à ce que l'odeur de chlore ne soit plus perceptible).

8. DÉPANNAGE

Problème	Cause	Solution
Fuite du raccord	Le tube n'est pas raccordé de manière étanche	Retirer et rejoindre le tube
Fuite de la selle de vidange	La selle de drainage n'est pas installée correctement	Réinstaller la selle de vidange comme décrit au paragraphe 4.2 de ce manuel.
Fuite du carter de pré-filtre	Le joint torique est absent ou mal aligné	Vérifier que le joint torique est correctement aligné dans la rainure à l'intérieur du carter.
	La cuvette n'est pas jointe de manière étanche	Serrer le carter jusqu'à ce qu'il soit bien ajusté
Leau coule trop lentement du robinet ou ralentit sub-stantiellement quelques secondes après l'ouverture du robinet.	Pression d'alimentation en eau trop faible	Ce système d'OI nécessite une pression d'au moins 3 bars pour fonctionner correctement. Si nécessaire, installez une pompe de surpression ou consultez un plombier.
	Les cartouches de pré-filtre sont obstruées	Remplacer les cartouches de pré-filtre
	La membrane est obstruée	Mesurer le débit du perméat en fermant la vanne 6 du réservoir et en ouvrant le robinet 3. Vérifiez à l'aide d'un gobelet gradué si le temps nécessaire pour produire 1 L d'eau potable est le suivant: - 8 minutes avec une membrane de 50 gpd ; - 5-6 minutes avec une membrane de 75 gpd ; - 4 minutes avec une membrane de 100 gpd. S'il faut deux fois plus de temps ou plus pour produire 1 litre d'eau, il se peut que la membrane doive être remplacée (voir le magasin où vous avez acheté ce produit).
	Un tube est plié	Redresser le tube
	Le réservoir sous pression est dégonflé	La pression dans le réservoir vide doit être de 0,4-0,6 bar (6-9 psi). Chargez le réservoir à la pression ci-dessus
Le système ne s'éteint pas	Air dans la vanne d'arrêt automatique	L'air disparaîtra de lui-même si le système continue à fonctionner.
	Pression d'alimentation en eau trop élevée	Vérifiez la pression de votre alimentation en eau. Si nécessaire, installez un régulateur de pression ou adressez-vous à un plombier

8. DÉPANNAGE

Le robinet d'arrêt automatique cogne	Coup de bélier dans les conduites d'eau	Installez un clapet anti-retour sur le tuyau principal de votre cuisine ou au point d'entrée de l'alimentation en eau de votre maison. Adressez-vous à un plombier.
Le système est toujours en marche (l'eau est évacuée en permanence)	Pression d'alimentation en eau trop faible	Ce système d'OI nécessite au moins 3 bars (44 psi) pour fonctionner correctement. Si nécessaire, installer une pompe de surpression ou consulter un plombier
	Les cartouches de pré-filtre sont obstruées	Remplacer les cartouches de pré-filtre
	La membrane est obstruée	Mesurer le débit d'eau en fermant le robinet du réservoir et en ouvrant le robinet. Le débit mesuré doit correspondre au débit nominal de la membrane.
	Limiteur de débit manquant ou mal placé	Un limiteur de débit doit être installé dans le tube allant du boîtier de la membrane à l'égout. Le limiteur de débit doit être orienté vers le boîtier de la membrane. S'il est orienté vers le raccord de selle de l'égout, nettoyez-le et intervertissez les extrémités du tube de manière à ce qu'il soit placé à la sortie du boîtier de la membrane. Si le limiteur de débit n'a pas été installé, il faut en installer un.
	Défaillance de la vanne d'arrêt automatique	Le fonctionnement incessant du système RO alors que le réservoir est plein peut être dû à une défaillance de la vanne d'arrêt automatique. Contactez le magasin où vous avez acheté ce produit si aucune autre cause possible ne peut être établie.
	Défaillance du clapet anti-retour dans le raccord de transition installé à la sortie du perméat du boîtier de la membrane	La pression dans le réservoir vide doit être de 6 à 9 psi (0,4 à 0,6 bar). Chargez le réservoir à pression ci-dessus si nécessaire
	Le réservoir sous pression est dégonflé	Ouvrez le robinet d'eau potable et laissez un peu d'eau. Il est normal que le système reste inactif lorsque le réservoir sous pression est plein d'eau.
Le système ne se met pas en marche (l'eau ne s'écoule pas dans l').	Le réservoir de pression est plein	Ouvrez le robinet d'eau potable et laissez un peu d'eau. Il est normal que le système reste inactif lorsque le réservoir sous pression est plein d'eau.
	Le limiteur de débit est obstrué	Nettoyer ou remplacer le limiteur de débit
	Le raccord de la selle de vidange n'est pas centré sur l'orifice du tuyau de vidange.	Positionner correctement la bonde de vidange

8. DÉPANNAGE

L'eau potable a un aspect laiteux ou trouble qui disparaît après quelques minutes	Air dans le système	Il est normal qu'il y ait un peu d'air dans le système quelques jours après son installation. Dans certains cas, des bulles d'air peuvent apparaître parce que la température de l'eau d'alimentation est nettement inférieure à la température ambiante de votre maison
L'eau a un goût et/ou une odeur	Le post-filtre à charbon a expiré	Remplacer le post-filtre
	La solution de conservation contenue dans la membrane n'a pas été évacuée	Désinfecter le système selon les instructions de la section 7
	Contamination dans l'osmose inverse système	Sanitize the system per instructions in section 7
	Contamination du réservoir sous pression	Remplacer le réservoir ou le désinfecter selon les instructions du paragraphe 7.1.
Le réservoir sous pression contient trop peu d'eau	Suppression de la vessie du réservoir	La pression dans un réservoir vide doit être de 0,4-0,6 bar (6-9 psi). Assurez-vous que la pression dans réservoir est conforme aux chiffres ci-dessus
Le robinet ne distribue pas d'eau bien que le réservoir soit plein	La vessie du réservoir est sous pression	La pression dans un réservoir vide doit être de 0,4-0,6 bar (6-9 psi). Assurez-vous que la pression dans réservoir est conforme aux chiffres ci-dessus
	La vanne du réservoir est fermée	Ouvrir la vanne du réservoir

9. REGISTRE DES SERVICES

Le fabricant recommande vivement de tenir un registre d'entretien pour enregistrer toutes les tâches effectuées, telles que la mise en service du système, le remplacement des filtres et de la membrane, la désinfection et d'autres procédures. Ces informations aideront grandement le technicien de maintenance à diagnostiquer votre système d'osmose inverse et peuvent également être exigées par le fabricant en cas de réclamation au titre de la garantie ou d'écarts de performance du système.

9.1 MISE EN SERVICE

Date de mise en service, JJ : MM : AA	Pression principale	Température de l'eau d'alimentation, °C	Présence d'un réducteur de pression	Assainissement effectué, OUI / NON	Durée de remplissage du réservoir, HH: MM	Récupération, en %	Recommandations	Disponibilité d'une analyse de l'eau d'alimentation (OUI/NON) (date de l'analyse)	Informations complémentaires sur l'équipement installé : nom, date d'installation (exemple : régulateur de pression, pompe, filtre à eau POE, etc.)	Identité du vendeur	Installer's identity

Les travaux d'installation ont été achevés. Le produit a été testé et fonctionne parfaitement. Aucune réclamation concernant la qualité du produit et/ou la performance de l'installateur n'a été formulée.

Propriétaire _____

Signature / Nom

Installateur _____

Signature / Nom

10. DONNÉES SUR LES PERFORMANCES

Ce système a été testé conformément à la norme NSF/ANSI 58 pour la réduction des substances énumérées ci-dessous. La concentration des substances indiquées dans l'eau entrant dans le système a été réduite à une concentration inférieure ou égale à la limite autorisée pour l'eau sortant du système, comme spécifié dans la norme NSF/ANSI 58.

Substance	Concentration du défi dans l'affluent (mg/L)	Concentration maximale admissible dans l'eau du produit mg/L
Arsenic (pentavalent)*	0.30 ± 10%	0.010
Baryum*	10.0 ± 10%	2.0
Cadmium*	0.03 ± 10%	0.005
Cuivre*	3.0 ± 10%	1.3
Chrome (hexavalent et trivalent)*	0.3 ± 10% (hexavalent) 0.3 ± 10% (trivalent)	0.05 (hexavalent) and 0.05 (trivalent)
Fluorure*	8.0 ± 10%	1.5
Plomb*	0.15 ± 10%	0.010
Radium 226/228*	25 pCi/L ± 10%	5 pCi/L
Sélénium*	0.10 ± 10%	0.05
Turbidité*	11 ± 1 NTU	0.5 NTU

*Seuls les systèmes équipés de la membrane TW30-1812-50, TW30-1812-75, CSV181250ECO sont certifiés pour ces réductions.

Substance	Concentration du défi dans l'affluent (mg/L)	Réduction minimale %
TDS (total des solides dissous)	750 ± 40 mg/L	75%

10.1 L'ARSENIC EN CHIFFRES

Présence et formes de l'arsenic dans l'eau

L'arsenic (As) est un contaminant naturel présent dans de nombreuses sources d'eau souterraine. Il existe généralement sous deux formes, également appelées valences ou états d'oxydation : l'arsenic pentavalent (As(V), As(+5), ou arséniate) et l'arsenic trivalent (As(III), As(+3), ou arsénite). Dans les eaux souterraines naturelles, l'arsenic peut se présenter sous forme d'arsenic trivalent, d'arsenic pentavalent ou d'une combinaison des deux. Bien que les deux formes soient nocives pour la santé humaine, l'arsenic trivalent est généralement considéré comme plus dangereux que l'arsenic pentavalent.

Détermination de l'arsenic dans l'eau et de l'efficacité du système

Les consommateurs qui s'approvisionnent en eau publique peuvent contacter leur service public local pour vérifier si du chlore libre est utilisé dans le processus de traitement de l'eau, ce qui est important pour convertir l'arsenic trivalent en arsenic pentavalent. Pour les approvisionnements en eau privés ou les eaux sans résidus de chlore libre détectables, il est recommandé de faire analyser l'eau afin de déterminer la forme d'arsenic présente. Dans certains cas, un traitement

10. DONNÉES SUR LES PERFORMANCES

supplémentaire peut être nécessaire pour oxyder l'arsenic trivalent en arsenic pentavalent afin qu'il soit efficacement éliminé par le système.

Allégations relatives à l'élimination de l'arsenic pentavalent

Les systèmes sont spécifiquement conçus pour éliminer l'arsenic pentavalent de l'eau. Ils ne convertissent pas l'arsenic trivalent en arsenic pentavalent. Dans des conditions d'essai en laboratoire, il a été démontré que le système réduisait 0,30 mg/L d'arsenic pentavalent à 0,010 mg/L (10 ppb) ou moins, ce qui est conforme à la norme de l'USEPA pour l'eau potable. Les performances réelles du système peuvent varier selon l'installation, et il est recommandé de tester régulièrement l'eau traitée pour s'assurer que le système fonctionne correctement.

Conditions pouvant affecter les performances

La capacité du système à éliminer l'arsenic pentavalent peut varier en fonction des conditions spécifiques de qualité de l'eau sur le site d'installation. Par exemple, la présence de fer ou d'autres impuretés dans l'eau peut affecter ses performances.

Composants de l'élimination de l'arsenic et maintenance

Le composant d'osmose inverse (OI) du système TW30-1812-50, TW30-1812-75, CSV181250ECO, CSV181275ECO est responsable de l'élimination de l'arsenic pentavalent. Pour maintenir l'efficacité du système, le composant RO doit être remplacé régulièrement, comme indiqué dans le manuel d'utilisation. La fréquence de remplacement et les informations sur l'endroit où acheter les composants de remplacement se trouvent dans le manuel d'installation/de fonctionnement.

11. SÉCURITÉ ENVIRONNEMENTALE ET SANITAIRE

Le produit n'a pas d'impact chimique, radiologique ou électrochimique sur l'environnement. Le produit n'est pas considéré comme dangereux en raison de son impact sur le corps humain et répond aux exigences de la législation sanitaire en vigueur pour le champ d'application prévu.

12. ACHATS

Il est souhaitable que le produit soit acheté auprès d'établissements de vente agréés. Lors de l'achat, vérifiez l'intégrité de l'emballage, l'absence de dommages mécaniques et d'autres défauts, le contenu du système (sans ouvrir les sacs en plastique), la disponibilité de la documentation destinée à l'utilisateur, en particulier le présent manuel.

13. TRANSPORT ET STOCKAGE

L'expédition du produit peut se faire par n'importe quel moyen de transport (sauf non chauffé pendant les saisons froides dans les climats plus froids) conformément aux règles de transport des marchandises applicables à chaque type de transport. Respecter les étiquettes de manutention lors de la manipulation et de l'expédition du produit. Le produit doit être stocké à l'intérieur, à l'abri des dommages mécaniques, de l'humidité et des produits chimiques agressifs. Conservez ce produit dans l'emballage d'origine du fabricant à des températures ambiantes comprises entre 5 °C et 40 °C de 41 °F à 104 °F) et à une humidité relative maximale de 80 %, à une distance d'au moins 1 m (3,3 ft) de tout appareil de chauffage.

14. AVERTISSEMENT

Cher utilisateur,

Avant d'utiliser votre système d'osmose inverse, veuillez lire attentivement les avertissements et recommandations suivants. Le respect de ces instructions vous permettra non seulement d'assurer le bon fonctionnement de votre système, mais aussi d'éviter des problèmes graves qui pourraient entraîner des dommages à l'équipement et la perte de la couverture de la garantie.

1. Manuel de l'utilisateur et normes locales

Avant d'installer et d'utiliser le système d'osmose inverse, lisez attentivement le manuel de l'utilisateur, les normes et réglementations locales en matière de plomberie et suivez scrupuleusement toutes les instructions. Le respect de ces instructions garantit un fonctionnement sûr et efficace du système et permet d'éviter des blessures ou des dommages éventuels. Il est recommandé de faire appel à des professionnels qualifiés pour l'installation du système et les tâches connexes.

2. Protection contre la pression

Pour assurer le bon fonctionnement du système, il est essentiel de le protéger contre les hautes pressions et les coups de bélier dans le réseau d'alimentation en eau. Un régulateur de pression doit être installé à l'entrée. L'absence de régulateur de pression peut endommager les composants du système et annuler la garantie. La pression de fonctionnement optimale du système est de 3,5 bar (52,5 psi).

3. Journal de maintenance

Le fabricant recommande vivement de tenir un registre d'entretien technique (section 9.1) pour enregistrer toutes les activités effectuées, telles que la mise en service, le remplacement des cartouches, le remplacement des membranes, la désinfection et d'autres procédures. Ces informations sont essentielles pour les spécialistes techniques qui diagnostiquent votre système d'osmose inverse et peuvent être nécessaires pour les réclamations au titre de la garantie ou pour le dépannage.

4. Installation par des professionnels qualifiés

Le système doit être installé et mis en service exclusivement par des spécialistes qualifiés. Il est conçu uniquement pour la purification de l'eau froide.

5. Analyse de l'eau

Avant d'utiliser le système, il convient de faire analyser l'eau d'arrivée par un laboratoire agréé afin d'en évaluer la qualité et de s'assurer du respect des paramètres (section 2) nécessaires au bon fonctionnement du système.

Exigences relatives à l'eau alimentant le système d'osmose inverse :

Indicateur	Valeur de l'indicateur
pH	6.5–8.5
Minéralisation	<1500 ppm
Dureté	<500 ppm CaCO ₃ (<28 °dH)
Chlore libre	<0.5 ppm
Fer	<0.3 ppm
Manganèse	<0.1 ppm
Demande chimique en oxygène	<5 ppm O ₂
Comptage bactérien total (CBC)	<50 CFU/mL
Titre E. coli	<3

14. AVERTISSEMENT

6. Désinfection de l'eau

Ne pas utiliser le système pour purifier de l'eau microbiologiquement dangereuse ou de qualité inconnue sans une désinfection préalable appropriée.

7. Contrôle de la pression de l'eau

L'eau doit être fournie au système à une pression recommandée par le fabricant (2-6 bar). L'utilisation d'un réducteur de pression est obligatoire.

8. Inspection des fuites

Après l'installation, vérifiez l' du système, en particulier au cours des deux premières semaines d'utilisation. Effectuez ensuite des contrôles périodiques.

9. Remplacement régulier des cartouches et entretien

Les cartouches de pré-filtre doivent être remplacées au moins tous les six mois. Un remplacement en temps voulu permet d'éviter d'endommager la membrane et d'assurer un fonctionnement efficace du système (section 6).

10. Remplacement de la membrane d'osmose inverse

Pour maintenir une qualité d'eau constante, la membrane d'osmose inverse doit être remplacée tous les 1 à 1,5 ans. Si le niveau de TDS dans l'eau purifiée dépasse 15 mg/L, cela signifie qu'il faut remplacer la membrane et consulter un service d'assistance qualifié (section 6).

11. Désinfection après un temps d'arrêt prolongé

Si le système n'a pas été utilisé pendant plus de deux semaines, une désinfection et un remplacement complet des éléments filtrants sont nécessaires (section 7).

12. Fermeture de l'alimentation en eau

En cas d'absence prolongée (plus de deux jours), il est recommandé de couper l'alimentation en eau du système afin d'éviter les fuites ou les dommages.

13. Limitation de la responsabilité

Le fabricant n'est pas responsable des dommages accessoires ou indirects causés par le non-respect des conditions de garantie explicites ou implicites ou par un défaut de l'appareil. Cela comprend les dommages causés à l'appareil, les pertes de temps, les désagréments, les dommages aux biens personnels, les pertes de revenus, les pertes commerciales, les frais d'expédition, les frais de déplacement, les frais de téléphone ou d'autres dommages similaires..

14. Attention à la garantie

Une mauvaise installation, l'absence de régulateur de pression, le remplacement prématuré d'un composant ou le non-respect des instructions entraîneront l'annulation de la garantie.

Le respect de ces recommandations garantira le fonctionnement stable de votre système d'osmose inverse et vous protégera contre les problèmes indésirables.

15. GARANTIE

Nous vous remercions d'avoir acheté le système d'osmose inverse fabriqué par Ecosoft. Nous espérons que notre système vous servira pendant longtemps et permettra à votre famille de profiter d'une eau potable propre.

Période de garantie

La période de garantie du produit est de 12 mois à compter de la date de vente par le réseau de détaillants (sauf indication contraire sur la carte de garantie du produit).

Conditions de garantie

Le fabricant garantit que ce système de purification de l'eau est exempt de défauts de fabrication et que ces défauts n'apparaîtront pas pendant la période de garantie, à condition que le système soit installé et utilisé conformément aux exigences techniques et aux conditions d'utilisation.

Important!

- Avant d'utiliser le système, veuillez lire attentivement :
- Le manuel d'installation et d'utilisation du système d'osmose inverse,
- Les conditions de garantie,
- Vérifier l'exactitude de la carte de garantie et la disponibilité d'un document confirmant l'achat (reçu, facture, bon de livraison, rapport de mise en service).

Carte de garantie

La carte de garantie n'est valable que si

- Le modèle est correctement spécifié, la date de vente est indiquée,
- Des timbres clairs de l'entreprise vendeuse sont présents.

Responsabilité du fabricant

Le fabricant n'est pas responsable des dommages causés par un défaut de l'appareil résultant du respect par le client des exigences de ce manuel ou après l'expiration de la période de garantie.

Protection contre la haute pression

Pour assurer le bon fonctionnement du système, il est nécessaire de protéger le réseau d'approvisionnement en eau contre les pressions élevées et les variations soudaines de pression. Elle est obligatoire :

- Un régulateur de pression doit être installé à l'entrée,
- La pression de fonctionnement optimale du système est de 3,5 bars (52,5 psi).

Important!

L'absence de régulateur de pression peut endommager les composants du système et annuler la garantie.

15. GARANTIE

Conditions perte de garantie

Une installation incorrecte, l'absence de régulateur de pression, le remplacement prématuré de composants, le non-respect des exigences en matière d'apport d'eau ou la violation des instructions entraînent la perte de la garantie.

Les obligations de garantie ne couvrent pas :

- Les dommages causés par l'usure normale,
- les pannes dues à une utilisation inappropriée,
- Les dommages causés par des modifications, des changements ou des réparations effectuées par l'acheteur ou un tiers,
- Consommables (cartouches, membranes d'osmose inverse, filtre post-carbone, reminéralisateur et autres éléments remplaçables), dont la durée de vie dépend de la qualité de l'eau et des conditions d'exploitation,
- Dommages causés par des facteurs externes : coups de bélier, fluctuations de température,
- contamination, impacts mécaniques ou chimiques,
- Matériel électrique sans mise à la terre ni stabilisateur de tension dans le réseau,
- Non-respect des conditions de stockage, de transport ou d'exploitation,
- Défaillances et dysfonctionnements dus au remplacement inopportun de composants remplaçables ou à l'utilisation d'éléments provenant d'autres fabricants.

Important !

Toute réclamation concernant la qualité, le goût et l'odeur de l'eau purifiée à l'aide de ce filtre ne sera acceptée que si elle est étayée par un protocole analytique réalisé par un laboratoire accrédité.

Fin de l'obligation de garantie

L'obligation de garantie prend fin :

- Si le produit est utilisé à d'autres fins que celles pour lesquelles il a été conçu,
- Si les conditions d'utilisation spécifiées dans le passeport et les documents d'utilisation ne sont pas respectées,
- Si le produit dépasse les normes techniques d'utilisation spécifiées (voir point 2),
- Si les règles de sécurité, les conditions de stockage ou de transport ne sont pas respectées,
- Si le produit a été réparé ou modifié par un centre de service non autorisé,
- Si le régulateur de pression n'est pas installé avant le système.

Nous recommandons de faire appel à des centres de service agréés pour l'installation et la mise en service du système. Si vous choisissez l'auto-installation ou l'installation par des techniciens tiers, la garantie peut être annulée si :

- Le système est mal installé, ce qui entraîne un mauvais fonctionnement ou des fuites de composants,
- Le système fonctionne de manière incorrecte en raison d'une violation de la séquence d'actions lors de la mise en service,
- Le régulateur de pression est absent avant le système.

Le respect de ces recommandations garantira le fonctionnement stable de votre système d'osmose inverse et vous protégera contre les problèmes indésirables.

15. GARANTIE

Après avoir effectué les travaux de garantie, le fournisseur prépare et envoie au client un rapport énumérant les travaux achevés et les matériaux qui n'ont pas besoin d'être payés. Le client doit signer le rapport et en renvoyer un exemplaire dans un délai de 5 jours calendaires à compter de la date de réception. Si le rapport n'est pas renvoyé ou si aucune objection n'est soulevée dans ce délai, les travaux et les matériaux sont considérés comme acceptés par le client sans commentaire.



ATTENTION !!!

En cas d'auto-installation du système, le fabricant n'est pas responsable et n'accepte aucune réclamation pouvant résulter d'une installation incorrecte et d'un mauvais fonctionnement de l'ensemble du système.

16. CERTIFICATS

Certificat de conformité pour systèmes de traitement de l'eau Ecosoft MO xxx

Confirme la conformité des produits aux exigences essentielles de sécurité des directives "nouvelle approche" de la CE.

ZERTIFIKATE VON ECOSOFT



PRODUKT Z ATESTEM

Number
B.BK.60110.0920.2024
valid up to: 12 08 2027

INHALT

1. Zweck des Produkts	222
2. Spezifikationen und Komponenten	224
2.1 Modellbezeichnungen	224
2.2 Spezifikationen und Anforderungen	225
2.2.1 Mini-Druckminderer	225
2.2.2 Leckagesensor	226
2.3 Wasserqualität	227
2.3.1 Anforderungen an die Qualität des Zulaufwassers	227
2.3.2. Wasserqualität nach dem Filter	227
2.3.3. Qualität des mineralisierten Wassers	228
2.4 Komponenten der Umkehrosmoseanlage	229
3. Anschlussdiagramme	232
3.1 Anschlussdiagramm für das Basismodell	232
3.2. Anschlussdiagramm für das System mit einem Remineralisierer und einem Zwei-Wege-Wasserhahn	233
3.3. Anschlussdiagramm für das System mit einem Remineralisierer und einem Ein-Wege-Wasserhahn	234
3.4. Anschlussdiagramm für das System mit einer Pumpe (5-stufige Filtration)	235
3.4.1 Anschlussdiagramm für das System mit einer Pumpe (6-stufige Filtration)	236
3.5. Anschlussdiagramm für das PURE-Balance-System	237
3.5.1 Anschlussdiagramm für das PURE-Balance-System mit einer Pumpe	238
3.6. Anschlussdiagramm für das PURE-AquaCalcium-System	239
3.6.1 Anschlussdiagramm für das PURE-AquaCalcium-System mit Pumpe	240
3.7. Anschlussdiagramm für das PURE-Alkafuse-System	241
3.7.1 Anschlussdiagramm für das PURE-Alkafuse-System mit Pumpe	242
4. Installation der Umkehrosmoseanlage	243
4.1 Vor Beginn der Installation	243
4.2 Installationsverfahren	244
4.2.1 Empfohlene Werkzeuge für die Installation	245
4.2.2 Vorgehensweise bei der Installation	245
5. Schritte nach der Installation	249
6. Verwendung	250
6.1 Systemkomponenten und ihre empfohlenen Wechselintervalle	253
6.2 Das Verfahren zum Austausch der Vorfilterkartuschen	255
6.3 Das Verfahren zum Austausch der Membran	256
6.4 Das Verfahren zum Austausch des Aktivkohle-Nachfilters und/oder des mineralisierenden Nachfilters	258
7. Desinfektion des Umkehrosmosefilters	261
7.1 Desinfektion des Druckbehälters	261
8. Fehlerbehebung	263
9. Serviceheft	266
9.1 Inbetriebnahme	266
9.2 Wartungsprotokoll	267
10. Leistungsdaten	268
10.1 Informationen zu Arsen	268
11. Umwelt- und Gesundheitssicherheit	269
12. Einkauf	269
13. Transport und Lagerung	269
14. Warnungen und Sicherheitshinweise	270
15. Garantie	272
16. Zertifikate	274

1. ZWECK DES PRODUKTS

Die Umkehrosmose ist die bei weitem fortschrittlichste Technologie der Wasseraufbereitung, die heute eingesetzt wird. Eine spezielle halbdurchlässige Membranstruktur, die in ihren Eigenschaften der Membran einer lebenden Zelle ähnelt, ist in der Lage, Trinkwasser von praktisch allen schädlichen Verunreinigungen zu befreien (siehe Abbildung 1). Die Membran können Sie sich mit winzigen Poren vorstellen, die 200 Mal kleiner als Viren und 4.000 Mal kleiner als Bakterien sind. Haushaltswasserfilter mit Umkehrosmosemembranen machen sich das Prinzip des körpereigenen Stoffwechsels auf zellulärer Ebene zunutze: Nur Moleküle einer bestimmten Größe können die Zellmembran durchdringen.

Bei der Umkehrosmoseanlage handelt es sich um eine fünfstufige Filteranlage, die wie folgt funktioniert (siehe Abschnitt 2.4 für Referenznummern). Das Filtergehäuse ist über den Zulaufwasser-Adapter 4 und das Zulaufwasser-Ventil 5 an die Kaltwasserversorgung angeschlossen. Der rote Schlauch leitet das Wasser vom Zulaufwasser-Ventil zum (ganz rechts gelegenen) Filtergestell für die Vorfilter. Das einströmende Wasser durchläuft dann die Vorfilterkartuschen 9. Diese sind so konzipiert, dass sie Feststoffe (wie Rost, Sand, Schlamm usw.), Restchlor und chlororganische Stoffe aus dem Wasser entfernen. Nach diesen ersten Reinigungsschritten in den Vorfiltern gelangt das Wasser in die vierte (und wichtigste) Stufe: die in einem speziellen Gehäuse verbaute Umkehrosmosemembran 11. Der Eingang des Membrangehäuses ist über die Zulaufseite des automatischen Absperrventils (Vier-Wege-Ventil, oben auf dem Filtergestell befestigt ist) mit dem dritten (ganz links liegenden) Filtergehäuse verbunden. Einer der beiden Auslässe liefert gereinigtes Wasser (Permeat), der andere führt Wasser mit ausgeschiedenen Verunreinigungen (Konzentrat) ab. Die Membran reinigt das Wasser auf molekularer Ebene, indem sie nur die Wassermoleküle und die Moleküle des gelösten Sauerstoffs durch ihre Poren lässt.

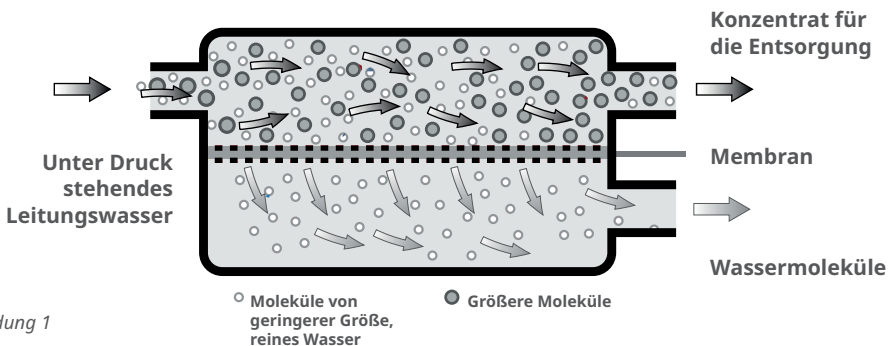


Abbildung 1

1. ZWECK DES PRODUKTS



Bevor Sie den Umkehrosmosefilter installieren und benutzen, lesen Sie sich diese Anleitung sorgfältig durch. Die Befolgung der Anweisungen gewährleistet einen sicheren und effizienten Betrieb des Systems und hilft, mögliche Verletzungen oder Schäden an dem Geräten oder Ihrem Eigentum zu vermeiden.

In der Membran wird das Wasser in zwei Ströme getrennt: Konzentrat, das in den Abfluss geleitet wird, und Permeat, das zur Speicherung in den Drucktank 2 kommt. Der Tank ist über das automatische Absperrventil der Membran und das Rückschlagventil im Übergangsstück, das im Permeatauslass des Membrangehäuses installiert ist, mit dem Ablauf verbunden. Nach dem automatischen Absperrventil wird das T-Stück installiert, durch das der Tank mit dem gelben Schlauch an das Filtergestell angeschlossen wird. Auf der Oberseite des Tanks ist das Tankventil 6 installiert.

Der Drucktank des Systems speichert das gereinigte Wasser. Ohne ihn wäre die Umkehrosmosemembran nicht in der Lage, einen ausreichenden Durchfluss für den direkten Wasserverbrauch zu erzeugen. Wenn der Filter beispielsweise eine Membran mit einer Leistung von 50 GPD (7,9 L/h) installiert hätte, würde es mehr als 1,5 Minuten dauern, ein Glas mit 200 ml zu füllen, oder 2 Minuten für ein 255-ml-Glas. Das System speichert also gereinigtes Wasser im Tank, gibt es nach Bedarf ab, und füllt den Vorrat an gereinigtem Wasser im Tank dann direkt wieder auf. Das Füllen eines leeren Tanks kann zwischen 1,5 und 3 Stunden dauern. Nach dem Füllen des Tanks schaltet das automatische Absperrventil die Wasserzufuhr aus den Vorfiltern ab und das Gerät stoppt. Nach dem Öffnen des Reinwasserhahns 3 sinkt der Wasserdruck im Tank, und das automatische Absperrventil nimmt den Wasserfluss durch die Vorfilterpatronen zur Membran automatisch wieder auf, um den Drucktank erneut zu füllen. Das Wasser mit den zurückgehaltenen Verunreinigungen (Konzentrat) wird durch den Konzentratauslass über den mit der Ablaufschelle 8 am Abflussrohr verbundenen, schwarzen Schlauch in den Abfluss geleitet. Um einen Gegendruck zu erzeugen, um den Betriebsdruck im Inneren des Membrangehäuses aufrechtzuerhalten, ist in das schwarze Rohr ein Durchflussbegrenzer 12 eingebaut. Bei dem Durchflussbegrenzer handelt es sich um einen Kunststoffeinsatz mit einer Kapillare mit Präzisionsbohrung. Der Durchflussbegrenzer wird in das Ende des schwarzen Schlauchs eingesetzt, das in den Auslass des Membrankonzentrats eingepasst ist.

Bei der Entnahme aus dem Wasserhahn fließt das gereinigte Wasser vom Druckbehälter durch das T-Stück zur fünften Reinigungsstufe – dem Aktivkohle-Nachfilter, der für die Endreinigung des Wassers bestimmt ist. Er enthält hochwertige Aktivkohle, die aus Kokosnussschalen hergestellt wird. Dieser Filter verbessert und verfeinert den Geschmack des gereinigten Wassers. Der Aktivkohle-Nachfilter wird mit einem blauen Schlauch an den Trinkwasserhahn 3 angeschlossen, der an Ihrem Waschbecken oder der Theke montiert ist.

Der Mineralisierer enthält eine natürliche Mischung von Mineralien wie Calciumcarbonat und/oder Corosex und kann je nach Filtermodell auch Aktivkohle enthalten. Diese Komponente reichert das Wasser mit Kalzium und/oder Magnesium an, verbessert seinen Geschmack und trägt zu einer besseren Gesundheit bei.

2. SPEZIFIKATIONEN UND KOMPONENTEN

2.1 MODELLBEZEICHNUNGEN

Modelle

MO 5 50 (75, 100)

MO 5 50 (75, 100) P

MO 6 50 (75, 100) M

MO 6 50 (75, 100) MAC

MO 6 50 (75, 100) MP

Das Modell Ihres Filters finden Sie auf der Verpackung.

MO X YYY ZZZZ AAA BBB

MO — Die Art des Filters. RO steht für Umkehrosmose

X — Anzahl der Stufen

YYY — Kapazität der Umkehrosmosemembran in GPD (Gallonen pro Tag)*:

50GPD	190 Liter pro Tag	7,9 Liter pro Stunde (2 Gallonen pro Stunde)
75GPD	280 Liter pro Tag	11,6 Liter pro Stunde (3,1 Gallonen pro Stunde)
100GPD	380 Liter pro Tag	15,8 Liter pro Stunde (4,2 Gallonen pro Stunde)

* Die Kapazität des Umkehrosmosefilters variiert und hängt von einer Reihe von Faktoren ab. Dazu gehören Qualität, Druck und Temperatur des Zulaufwassers sowie der Verschleiß der Vorfilterkartusche und der RO-Membran.

ZZZZ — Code für die Zusatzausstattung (keine Buchstaben bedeuten Basismodell ohne Zusatzausstattung):

M	Der Filter ist mit einem mineralisierenden Nachfilter ausgestattet
MAC	Der Filter mit der PURE-AquaCalcium-Technologie zur Mineralisierung des Wassers
MBAL	Der Filter mit der PURE-Balance-Technologie zur Mineralisierung des Wassers
ALK	Der Filter mit PURE-Alkafuse-Technologie zur Mineralisierung des Wassers
P	Der Filter ist mit einer Druckerhöhungspumpe ausgestattet

AAA — Warenzeichen

BBB — Systemsprache

S — Das System ist auf einem Metallgestell befestigt

Zum Beispiel: Ecosoft MO575PSECO bedeutet Umkehrosmoseanlage mit 5 Stufen, ausgestattet mit einer Membran mit einer Kapazität von 75 Gallonen pro Tag (11,6 l/h), einem mineralisierenden Nachfilter und einer Druckerhöhungspumpe. Warenzeichen ECOSOFT.

** Die mit einer Druckerhöhungspumpe ausgestatteten Modelle (mit dem Buchstaben „P“ in der Modellbezeichnung gekennzeichnet) sind für den Anschluss an ein Einphasen-Wechselstromnetz mit einer Spannung von 230 V, 50 Hz vorgesehen.



Das System ist mit einem Netzkabel mit Stecker ausgestattet und muss an eine geeignete Steckdose mit Erdung gemäß den örtlichen Normen angeschlossen werden. Elektrischer Sicherheitshinweis: Dieses Gerät muss an einen Stromkreis angeschlossen werden, in dem ein FI-Schutzschalter installiert ist. Trennen Sie das System vor jeder Wartung, Instandhaltung oder Reparatur vom Stromnetz.



VORSICHT!

Die Installation des Filters muss von Fachleuten mit entsprechender Qualifikation und Erfahrung durchgeführt werden. Das Produkt darf nur mit kaltem Wasser verwendet werden!

2. SPEZIFIKATIONEN UND KOMPONENTEN

2.2. SPEZIFIKATIONEN UND ANFORDERUNGEN

Parameter	Wert
Hauptdruck (ohne Druckerhöhungspumpe), Bar (psi)	3–6* (43–87)
Hauptdruck (Druckerhöhungspumpe installiert), Bar (psi)	2–4,5 (29–65)
Tankblasendruck, bar (psi)	0,4–0,6** (5,8–8,7)
Zulaufwassertemperatur, °C (°F)	4–30*** (39–86)
Gewicht des Systems (Basismodell), kg (pounds)	6 (13,2)
Umgebungstemperatur, °C (°F)	5–40*** (41–104)
Anschluss für die Wasserversorgung	3/8"- oder 1/2"-Gewinde
Fassungsvermögen des Speichertanks, L	5–6
Abmessungen des Filters, H×B×T (Grundausrüstung), mm (Zoll)	350 × 450 × 150 (13,8 × 17,7 × 5,9)
Abmessungen des Tanks, H×B×T, mm (Zoll)	350 × 260 × 260 (13,8 × 10,2 × 10,2)

* Wenn der Wasserdruck unter dem erforderlichen Wert liegt, kaufen Sie ein Modell mit Pumpe oder rüsten Sie Ihren vorhandenen Filter mit einer Druckerhöhungspumpe aus. Liegt der Druck im Wassernetz über dem Grenzwert, muss ein Druckregler an der Hauptleitung installiert werden.

** Liegt der Druck in der Tankblase außerhalb dieses Bereichs, muss der Druck erhöht oder abgelassen werden, bis er den angegebenen Werten entspricht. Vor der Installation des Filters sollte unbedingt eine Analyse des Leitungswassers in einem zertifizierten Labor durchgeführt werden. Auf diese Weise kann die Qualität des Wassers bestimmt und sichergestellt werden, dass es die für den ordnungsgemäßen Betrieb der Anlage empfohlenen Parameter erfüllt.

*** Wenn die Wassertemperatur im Bereich von 20–30 °C (68–86 °F) liegt, wird die Ausscheidung von Verunreinigungen verringert und die Systemkapazität erhöht, was zu einem Anstieg des TDS-Wertes führt. Die Verwendung des Produkts bei einer Wassertemperatur von mehr als 30 °C (86 °F) wird nicht empfohlen.



Umkehrosmoseanlagen müssen vor hohem Druck und plötzlichen Druckstößen geschützt werden, die von den örtlichen Wasserversorgungssystemen verursacht werden. Installiere unbedingt einen Druckregler am Anschlusspunkt.

Der optimale Betriebsdruck für das System beträgt 3,5 bar (52,5 psi) - der Druckregler ist vom Hersteller auf diesen Parameter voreingestellt. Die Nichtinstallation eines Druckreglers kann Schäden an druckempfindlichen Komponenten führen und die Garantie erlöschen lassen.

2.2.1 MINI-DRUCKMINDERER (5 bar)

Für einen stabilen Betrieb des Umkehrosmose-Systems und zum Schutz der Membran vor übermäßigem Druck im Wasserversorgungsnetz ist der Filter mit einem Mini-Druckminderer ausgestattet (Umkehrosmosefilter sind ab dem Herstellungsdatum 01.01.2026 mit einem Mini-Druckminderer ausgestattet).

Technische Daten des Druckminderers:

- Druckbegrenzung: 5 bar (≈ 72 psi)
- Durchflusskapazität: 7,5 l/min bei 100 psi
- Maximaler Eingangsdruck: 16 bar (230 psi)
- Maximale Wassertemperatur: 40 °C
- Anschluss: Schnellkupplungen 1/4"

2. SPEZIFIKATIONEN UND KOMPONENTEN

Funktionsweise:

Der Druckminderer senkt den Eingangsdruck automatisch auf ein sicheres Niveau (ca. 4,5–5,0 bar). Bei einem Anstieg des Eingangsdrucks auf 16 bar bleibt der Ausgangsdruck stabil im Bereich von 4,8–5,5 bar.

Einbauort:

Wird am Eingangsschlauch des Systems zwischen dem Wasserzulauf zum Umkehrosmosefilter und dem Leckagesensor montiert. Der Pfeil auf dem Gehäuse zeigt die Richtung des Wasserflusses an.

Achtung!

Alle in diesem Handbuch aufgeführten Umkehrosmoseanlagen sind ab dem Herstellungsdatum 01.01.2026 mit einem Mini-Druckminderer ausgestattet.

2.2.2 LECKAGESENSOR

Für zusätzlichen Schutz vor Überschwemmungen ist die Umkehrosmoseanlage mit einem mechanischen Leckagesensor ausgestattet.

Umkehrosmosefilter sind ab dem Herstellungsdatum 01.01.2026 mit einem Leckagesensor ausgestattet.

Technische Daten des Leckagesensors:

- Typ: Kolbenventil mit Absorptionselement
- Betriebsdruck: 2–4 bar
- Maximaler Druck: bis zu 6 bar
- Anschluss: Schnellkupplungen 1/4"
- Material: lebensmittelechter Kunststoff

Funktionsweise:

Der Leckagesensor ist ein Kolbenventil, das bei Feststellung einer Leckage automatisch die Wasserzufuhr unterbricht.

- Unter Wasserdruck (2–4 bar) bleibt das Ventil geschlossen, da der Kolben durch die Druckkraft gehalten wird.
- Wenn der Druck am Einlass nachlässt, öffnet eine Feder das Ventil und das Wasser kann wieder durchfließen.
- Bei Nässe dehnt sich ein Baumwollschwamm aus und blockiert mechanisch die Wasserzufuhr.

Einbauort:

Der Sensor wird am Zulaufschlauch des Filters zwischen dem Druckminderer und dem Umkehrosmosefilter in horizontaler Position auf einer ebenen Fläche unter dem System installiert.

Was tun, wenn der Sensor ausgelöst hat:

1. Überprüfen Sie die Leckagequelle – finden und beheben Sie die Ursache.
2. Lassen Sie den Wasserdruck ab – schließen Sie die Wasserzufuhr vor dem Ventil und lassen Sie den Druck im System ab.
3. Überprüfen Sie das Ventil – wenn es sich nicht automatisch geöffnet hat, drücken Sie manuell auf die Kontrollstange, um den Kolben zu bewegen.
4. Stellen Sie die Wasserzufuhr wieder her – nachdem Sie das Problem behoben, den Baumwollschwamm ausgetauscht und das Ventil geöffnet haben.

Achtung!

Alle in dieser Anleitung genannten Umkehrosmoseanlagen sind ab dem Herstellungsdatum 01.01.2026 mit einem Leckagesensor ausgestattet.

2. SPEZIFIKATIONEN UND KOMPONENTEN

2.3. WASSERQUALITÄT

2.3.1 ANFORDERUNGEN AN DIE QUALITÄT DES ZULAUFWASSERS*

Index	Wert**
pH-Wert	6,5–6,8
TDS	<1.500 ppm
Härte	<500 ppm CaCO ₃ (<28 °dH)
Freies Chlor	<0,5 ppm
Eisen	<0,3 ppm
Mangan	<0,1 ppm
Chemischer Sauerstoffbedarf	<5 ppm O ₂
Gesamtkeimzahl (TBC)	<50 KBE/ml
E. coli-Titer	<3

Verwenden Sie kein Wasser, das mikrobiologisch unsicher oder von unbekannter Qualität ist, ohne eine angemessene Desinfektion vor oder nach dem System.

* Wenn die Wasserversorgung nicht den Anforderungen entspricht, kann sich die Lebensdauer der Membran und/oder der Vorfilterpatronen verkürzen.

** Wenn Ihr Haus mit Rohwasser versorgt wird, führen Sie vor der Installation eines Umkehrosmosefilters eine Laboruntersuchung des Wassers durch. Wenn einer der Werte Ihres Wassers den Grenzwert überschreitet, sollten Sie den Einsatz eines Wasseraufbereitungssystems in Betracht ziehen, um die Qualität des Zulaufwassers zu verbessern. Wenden Sie sich an Wasserfachleute oder -unternehmen, um sich beraten zu lassen und die richtige Ausrüstung auszuwählen.

2.3.2. WASSERQUALITÄT NACH DER UMKEHROSMOSE-MEMBRAN*

Index	Wert
pH-Wert	5,5–6,5
TDS	5–15 ppm
Kalzium	<2 ppm
Magnesium	<1 ppm
Natrium + Kalium	<5 ppm

* Bedingungen der Messung: Das Zulaufwasser hat 25 °C (77 °F) und die vom Hersteller empfohlene Qualität; Betriebsparameter entsprechen den Herstellerempfehlungen.

2. SPEZIFIKATIONEN UND KOMPONENTEN

2.3.3. QUALITY OF MINERALIZED WATER*

Index	Ecosoft-MineralisierungsfILTER	AquaCalcium	Pure Balance	Pure Alkafuse
pH	6,5-7,5	7-7,5	7-8,5	>8,5***
TDS, ppm	20-30**	55-65**	60-80	60-120
Calcium, ppm	<10,0	10-15	10-15	5-15
Magnesium, ppm	—	—	4-6	5-15



Anmerkung:

Geschmacks- und Geruchsveränderungen des gereinigten Wassers nach dem Austausch des Aktivkohle-Nachfilters und des Mineralisierers sind auf die maximale Kapazität des Filtermaterials zu Beginn der Lebensdauer der Kartusche zurückzuführen. Während des Betriebs der Kartuschen nehmen die Mineralisierung und die organoleptischen Eigenschaften des Wassers allmählich ab.

Halten Sie sich an den Wartungsplan für Ihren Filter, um eine gleichbleibende Qualität des behandelten Wassers zu gewährleisten.

* Bedingungen der Messung: Das Zulaufwasser hat 20 °C (68 °F) und die vom Hersteller empfohlene Qualität; Betriebsparameter entsprechen den Herstellerempfehlungen; der Wasserverbrauch entspricht dem einer dreiköpfigen Familie. Der Mineraliengehalt kann im Winter, wenn die Wassertemperatur geringer ist, sinken und im Sommer, wenn sie höher ist, steigen.

** Nach einer Stunde oder mehr Standzeit kann die Mineralienkonzentration im ersten Glas Wasser den angegebenen Wert überschreiten, da sich in dieser Zeit mehr Mineralien lösen können. Dies ist normal und beeinträchtigt die Qualität des gereinigten Wassers nicht.



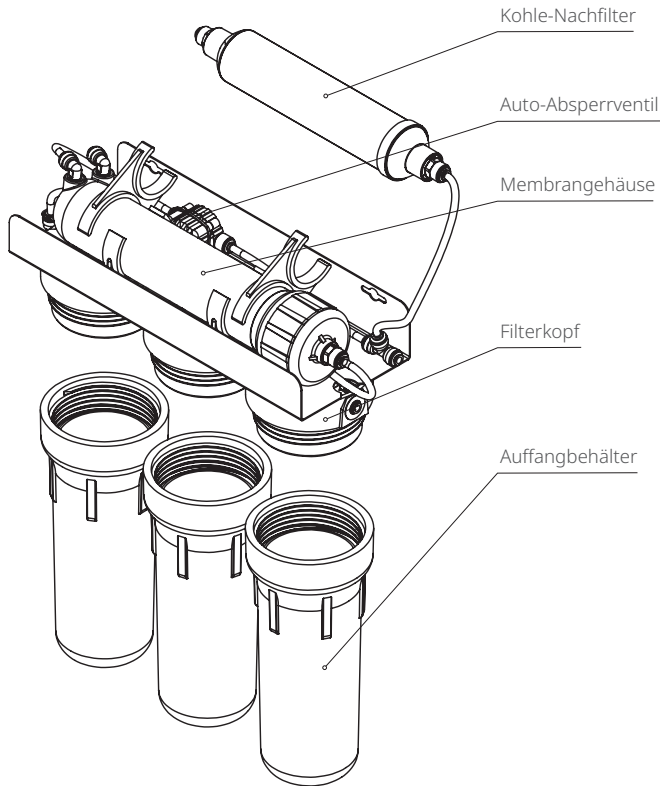
***** Konsultieren Sie vor dem Konsum von Wasser mit einem pH-Wert von >8,5 Ihre:n Arzt:Ärztin.**

2. SPEZIFIKATIONEN UND KOMPONENTEN

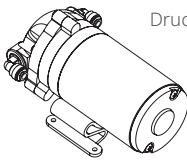
2.4. KOMPONENTEN DER UMKEHRSMOSEANLAGE

Der Hersteller behält sich das Recht vor, das Produktdesign oder bestimmte Komponenten zu ändern, wenn diese Änderung keine Verschlechterung der Verbrauchseigenschaften des Produkts zur Folge hat.

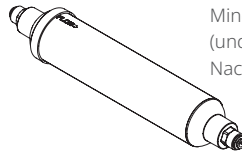
1) Filtergehäuse



Optionen:



Druckerhöhungspumpe



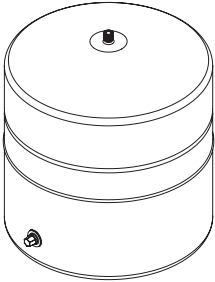
Mineralisierender Nachfilter (und/oder eine andere Art von Nachfilter)*

* abhängig von Ihrer Konfiguration

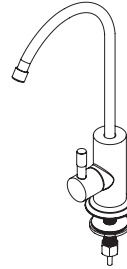
2. SPEZIFIKATIONEN UND KOMPONENTEN

2.4. KOMPONENTEN DER UMKEHROSMOSEANLAGE

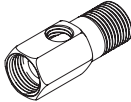
2) Druckbehälter



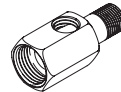
3) Trinkwasserhahn



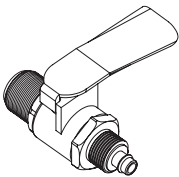
4) Zulaufwasser-Adapter 1/2"



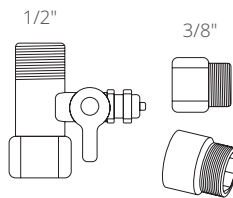
4.1) Zulaufwasser-Adapter 3/8"



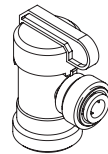
5) Zulaufwasserventil



5.1) Zulaufwasserventil**



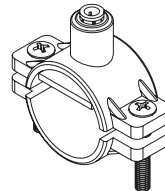
6) Tankventil



7) Satz farbige Schläuch*



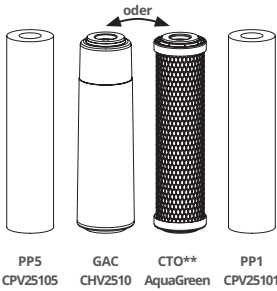
8) Ablaufschelle



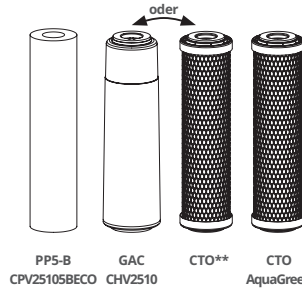
2. SPEZIFIKATIONEN UND KOMPONENTEN

9) Vorfilterkartuschen (variieren je nach Modell)

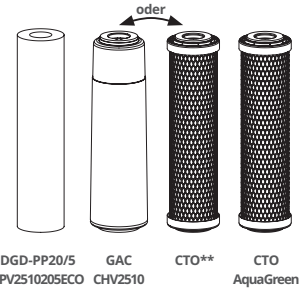
9.1) Für die Serie Standard



9.2) Für die Serie Absolute

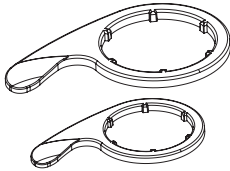


9.3) Für die Serie PURE

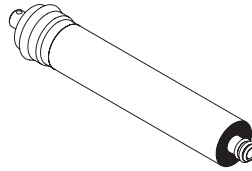


DE

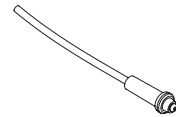
10) Schlüssel für Auffangbehälter und Membranhäuser



11) Umkehrosomosemembran



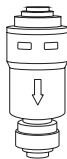
12) Durchflussbegrenzer



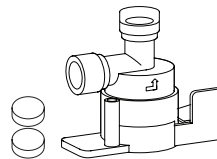
13) Sicherungsclip: Zubehör, das Steckverbindungen an leicht zugänglichen Stellen vor unbeabsichtigtem Lösen schützt. Das Vorhandensein des Clips hat keinen Einfluss auf die Dichtigkeit der Verbindung. Die Anzahl der Clips in Ihrem Umkehrosomosefilter kann je nach Ausführung des Produkts variieren und hat keinen Einfluss auf seine Leistung.



14) Druckbegrenzungsventil**



15) Leckdetektor**

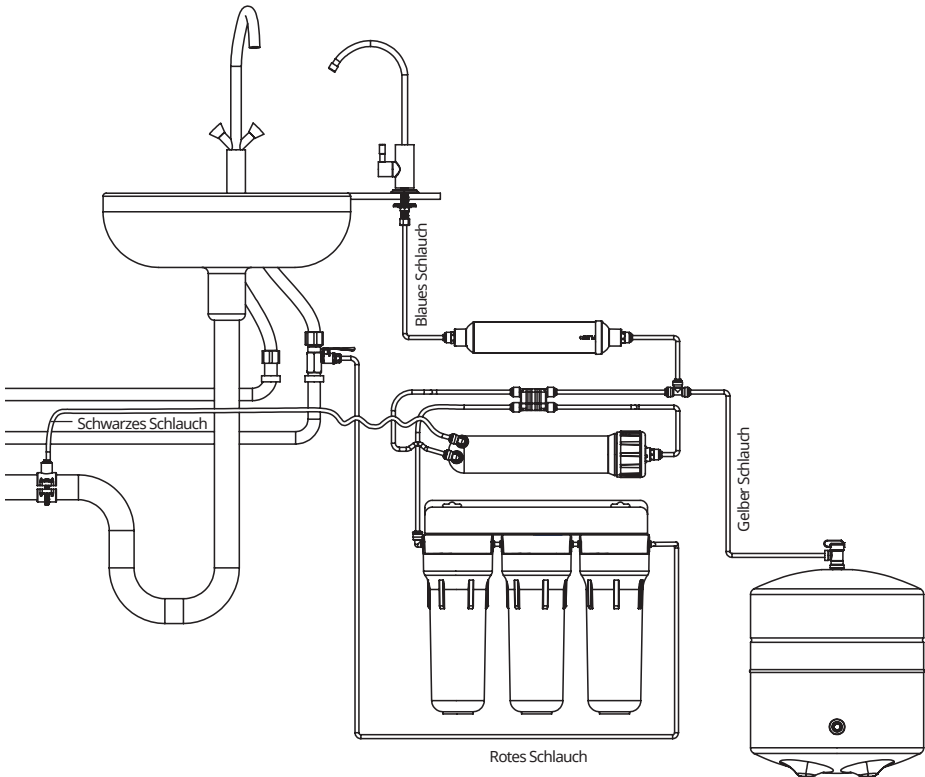


*Die Konfiguration des Schlauchsets kann von der gezeigten abweichen.
 Bei Umkehrosomosefiltern, die nach dem 19.03.2025 hergestellt wurden, ist der seitliche Anschluss mit dem roten Rohr verbunden.
 Bei der Installation des Umkehrosomosefilters schließen Sie diesen anstelle des roten Steckers an.
 **Hinzugefügt zum Lieferumfang von Umkehrosomosefiltern mit Herstellungsdatum ab dem 01.01.2026.

3. VERBINDUNGSDIAGRAMME

3.1. ANSCHLUSSPLAN FÜR DAS BASISMODELL

Bevor Sie mit der Installation beginnen, sehen Sie sich bitte das folgende Anschlussschema an, das Ihrem Filtermodell entspricht.



Modelle

MO 5 50

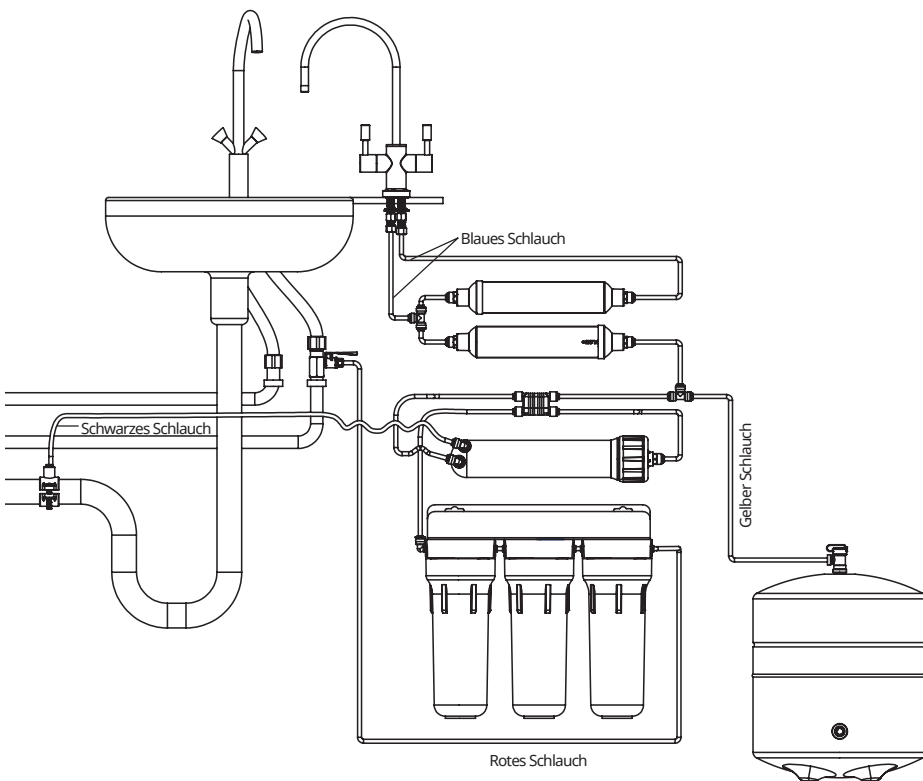
MO 5 75

MO 5 100

Der Hersteller behält sich das Recht vor, das Produktdesign oder bestimmte Komponenten zu ändern, wenn diese Änderung keine Verschlechterung der Verbrauchseigenschaften des Produkts zur Folge hat.

3. VERBINDUNGSDIAGRAMME

3.2. ANSCHLUSPLAN FÜR DAS SYSTEM MIT EINEM REMINERALISIERER UND EINEM DOPPELWASSERHAHN

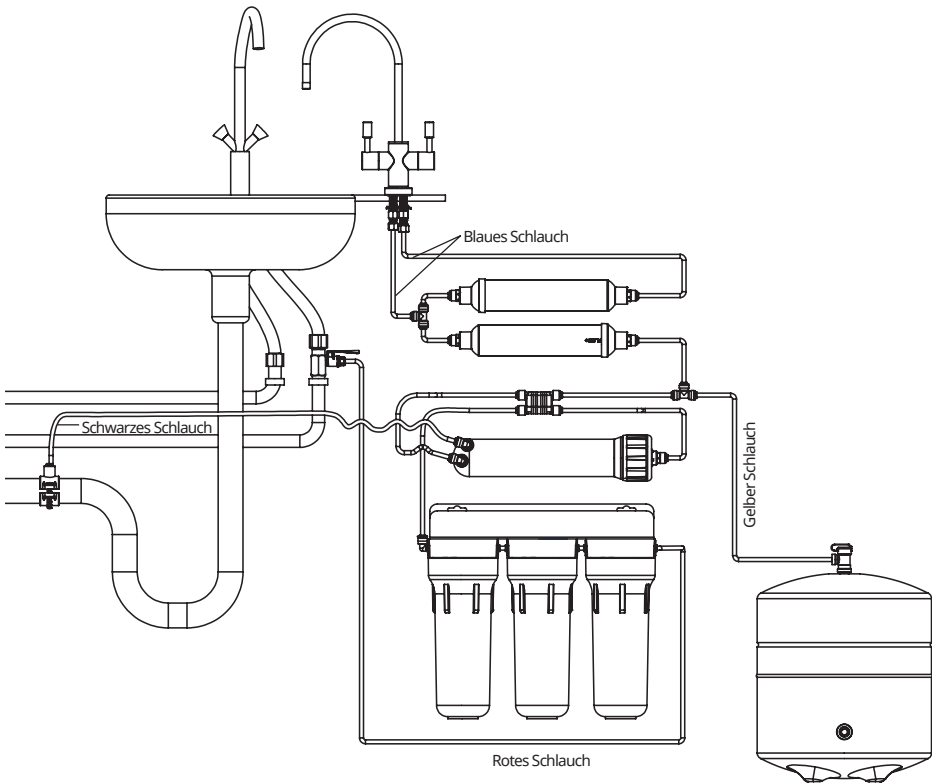


- Modelle**
- MO 6 50 M
 - MO 6 75 M
 - MO 6 100 M

Der Hersteller behält sich das Recht vor, das Produktdesign oder bestimmte Komponenten zu ändern, wenn diese Änderung keine Verschlechterung der Verbrauchseigenschaften des Produkts zur Folge hat.

3. VERBINDUNGSDIAGRAMME

3.3. ANSCHLUSSPLAN FÜR DAS SYSTEM MIT EINEM REMINERALISIERER UND EINEM EINZELNEN WASSERHAHN



Modelle

MO 6 50 M

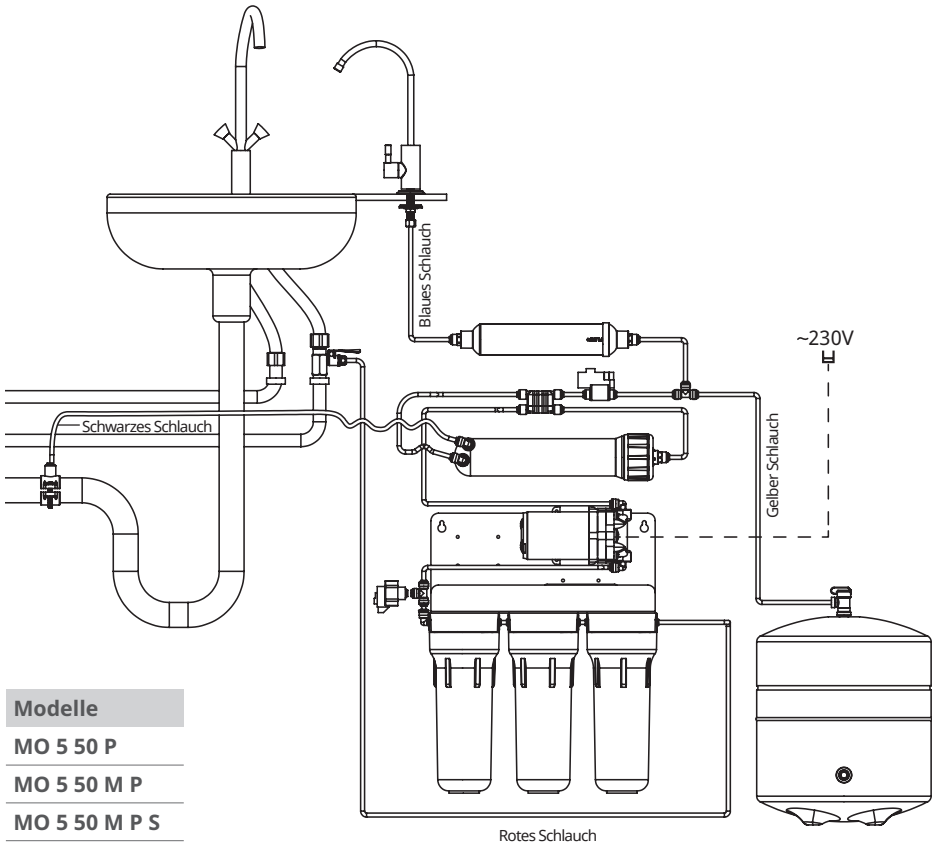
MO 6 75 M

MO 6 100 M

Der Hersteller behält sich das Recht vor, das Produktdesign oder bestimmte Komponenten zu ändern, wenn diese Änderung keine Verschlechterung der Verbrauchseigenschaften des Produkts zur Folge hat.

3. VERBINDUNGSDIAGRAMME

3.4. ANSCHLUSSPLAN FÜR DAS SYSTEM MIT PUMPE (5-STUFIGE FILTRATION)



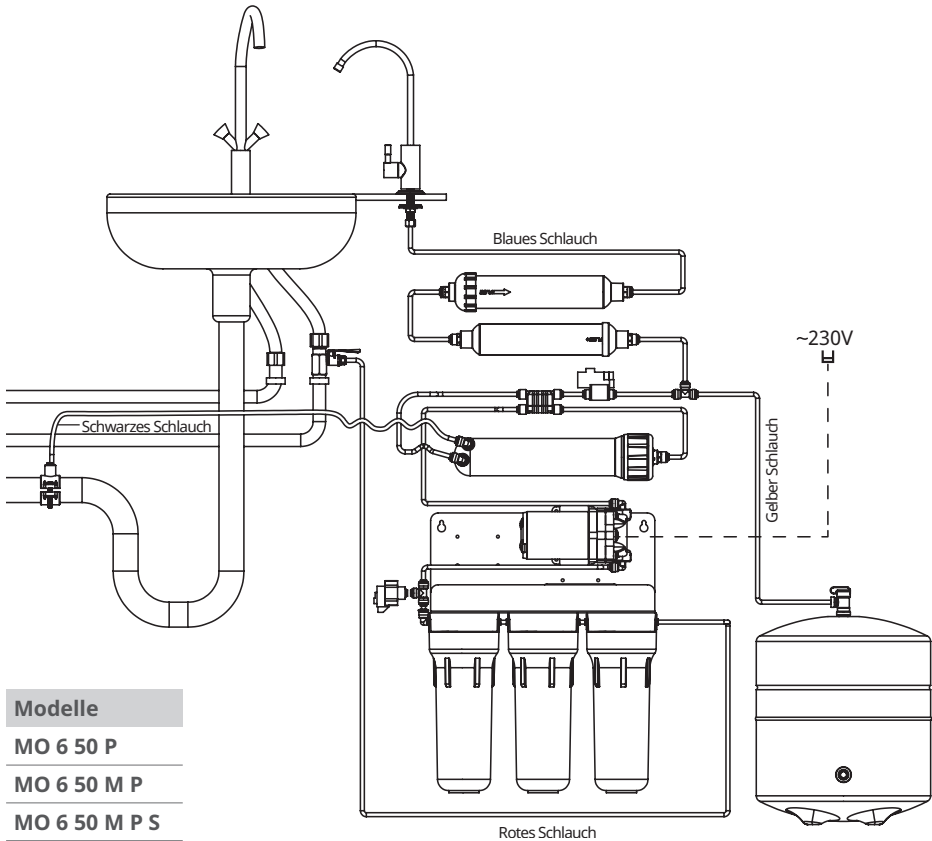
Modelle

- MO 5 50 P
- MO 5 50 M P
- MO 5 50 M P S
- MO 5 75 P
- MO 5 75 M P
- MO 5 75 M P S
- MO 5 100 P
- MO 5 100 M P
- MO 5 100 M P S

Der Hersteller behält sich das Recht vor, das Produktdesign oder bestimmte Komponenten zu ändern, wenn diese Änderung keine Verschlechterung der Verbrauchseigenschaften des Produkts zur Folge hat.

3. VERBINDUNGSDIAGRAMME

3.4.1 ANSCHLUSSPLAN FÜR DAS SYSTEM MIT PUMPE (6-STUFIGE FILTRATION)



Modelle

MO 6 50 P

MO 6 50 M P

MO 6 50 M P S

MO 6 75 P

MO 6 75 M P

MO 6 75 M P S

MO 6 100 P

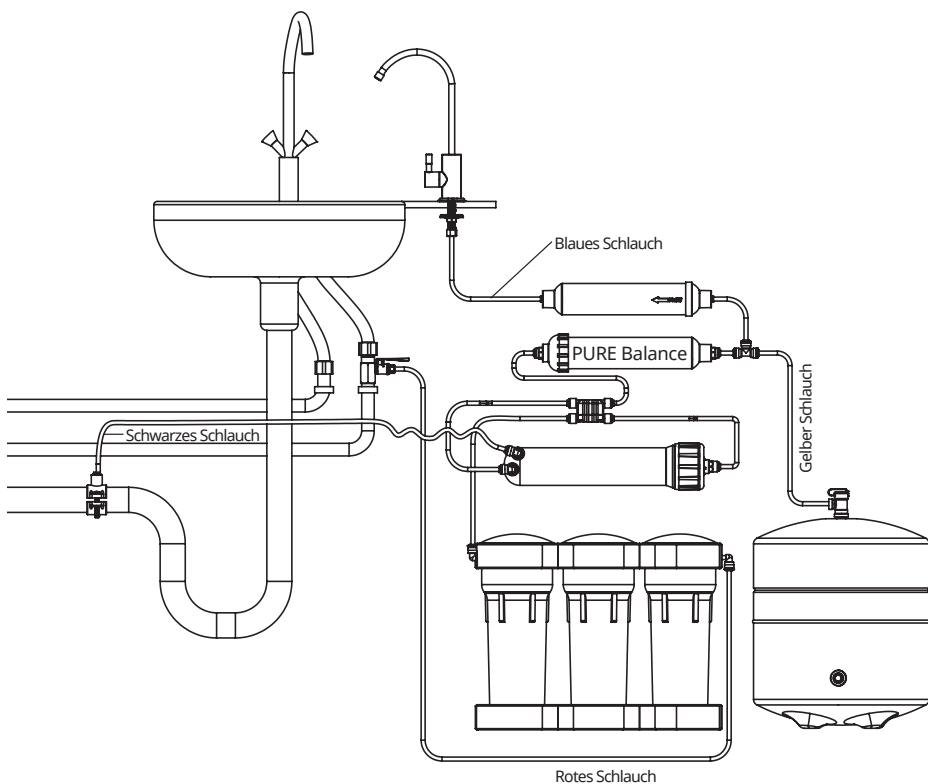
MO 6 100 M P

MO 6 100 M P S

Der Hersteller behält sich das Recht vor, das Produktdesign oder bestimmte Komponenten zu ändern, wenn diese Änderung keine Verschlechterung der Verbrauchseigenschaften des Produkts zur Folge hat.

3. VERBINDUNGSDIAGRAMME

3.5. ANSCHLUSSPLAN FÜR DAS SYSTEM PURE BALANCE



- Modelle**
- MO 6 50 M BAL**

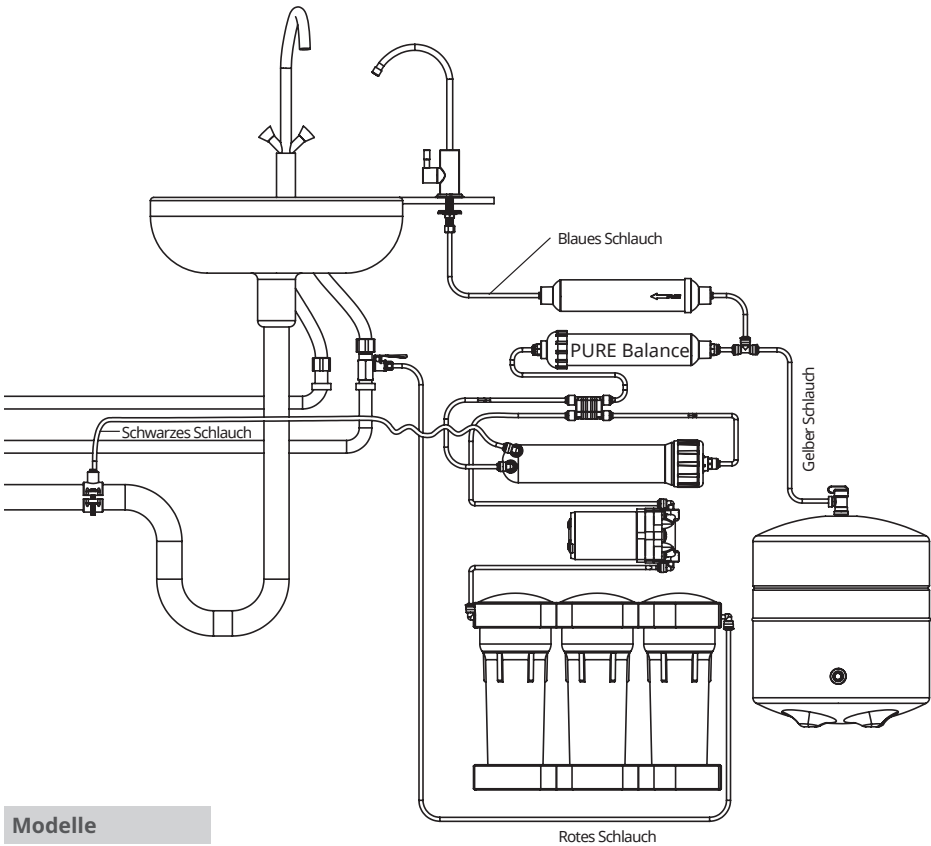
 - MO 6 75 M BAL**

 - MO 6 100 M BAL**

Der Hersteller behält sich das Recht vor, das Produktdesign oder bestimmte Komponenten zu ändern, wenn diese Änderung keine Verschlechterung der Verbrauchseigenschaften des Produkts zur Folge hat.

3. VERBINDUNGSDIAGRAMME

3.5.1 ANSCHLUSSPLAN FÜR DAS SYSTEM PURE BALANCE MIT PUMPE



Modelle

MO 6 50 M P BAL

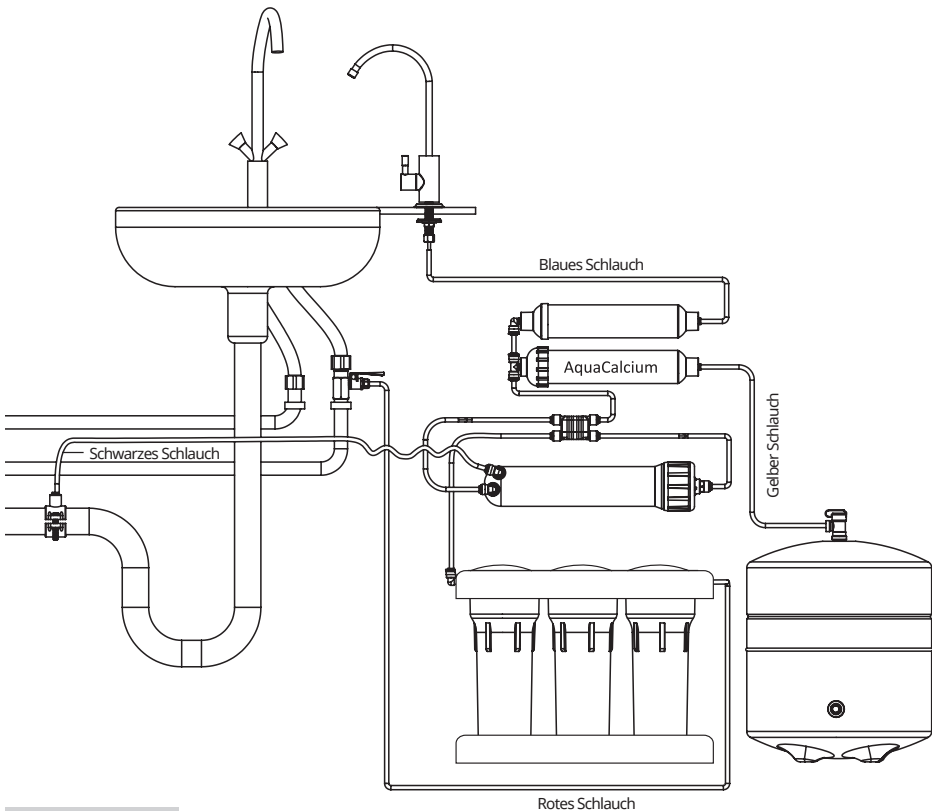
MO 6 75 M P BAL

MO 6 100 M P BAL

Der Hersteller behält sich das Recht vor, das Produktdesign oder bestimmte Komponenten zu ändern, wenn diese Änderung keine Verschlechterung der Verbrauchseigenschaften des Produkts zur Folge hat.

3. VERBINDUNGSDIAGRAMME

3.6. ANSCHLUSSPLAN FÜR DAS SYSTEM PURE AQUACALCIUM



Modelle

MO 6 50 MAC

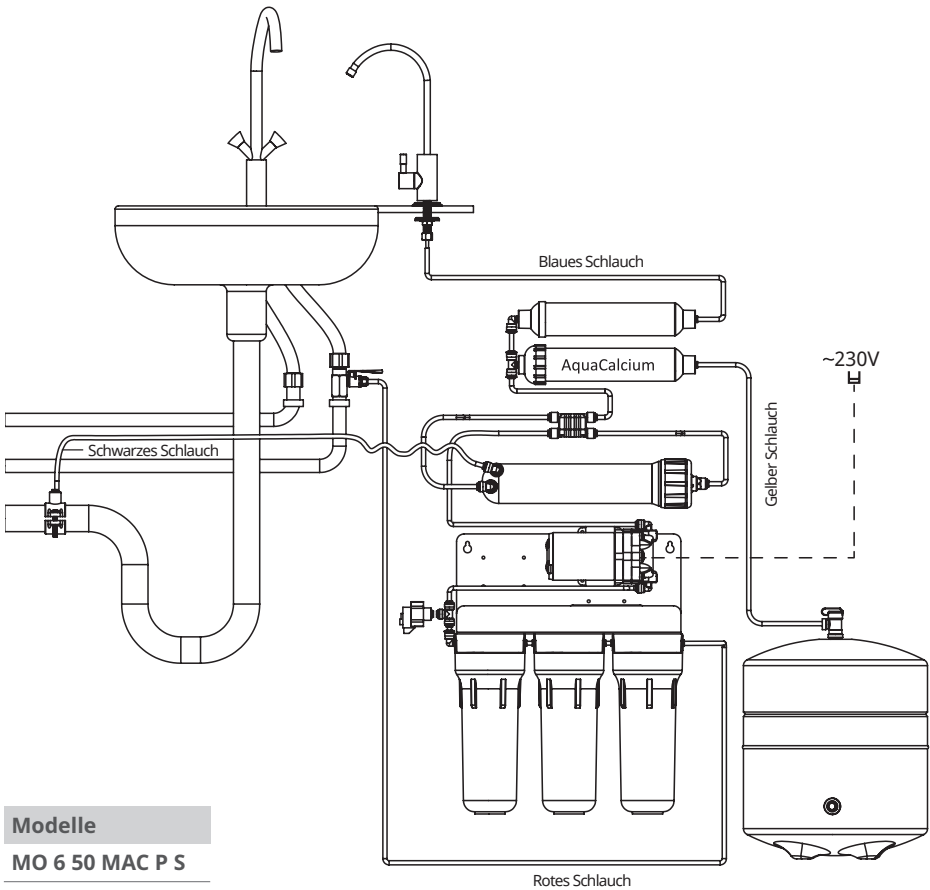
MO 6 75 MAC

MO 6 100 MAC

Der Hersteller behält sich das Recht vor, das Produktdesign oder bestimmte Komponenten zu ändern, wenn diese Änderung keine Verschlechterung der Verbrauchseigenschaften des Produkts zur Folge hat.

3. VERBINDUNGSDIAGRAMME

3.6.1. ANSCHLUSSPLAN FÜR DAS SYSTEM PURE AQUACALCIUM MIT PUMPE



Modelle

MO 6 50 MAC P S

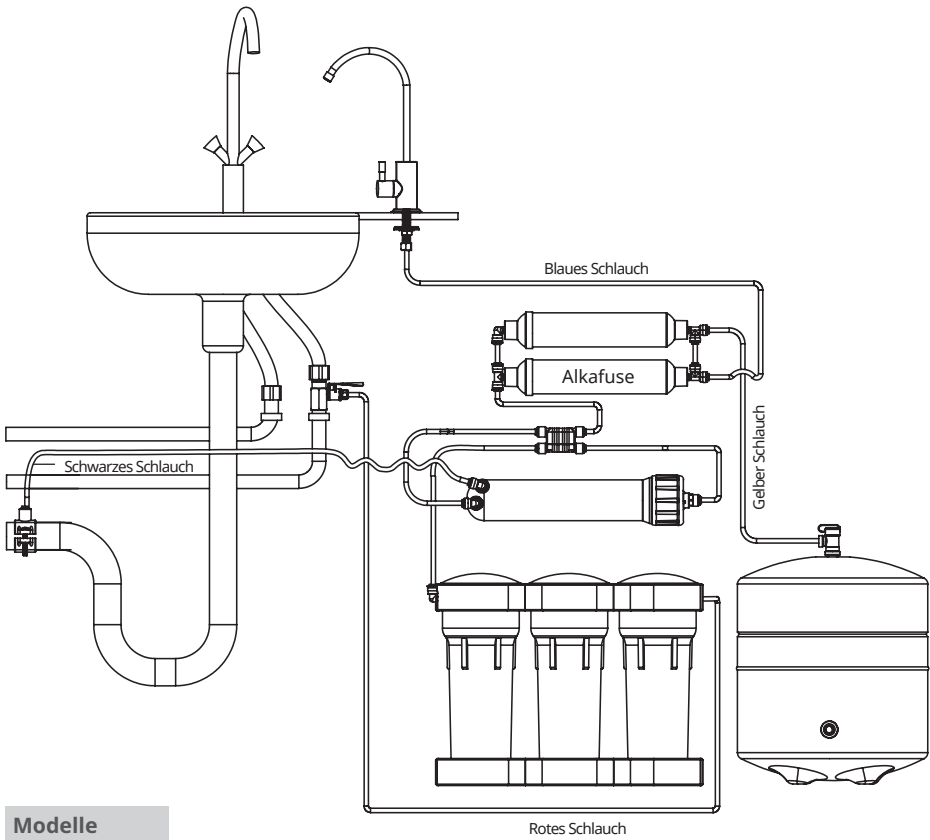
MO 6 75 MAC P S

MO 6 100 MAC P S

Der Hersteller behält sich das Recht vor, das Produktdesign oder bestimmte Komponenten zu ändern, wenn diese Änderung keine Verschlechterung der Verbrauchseigenschaften des Produkts zur Folge hat.

3. VERBINDUNGSDIAGRAMME

3.7. ANSCHLUSSPLAN FÜR DAS SYSTEM PURE ALKAFUSE

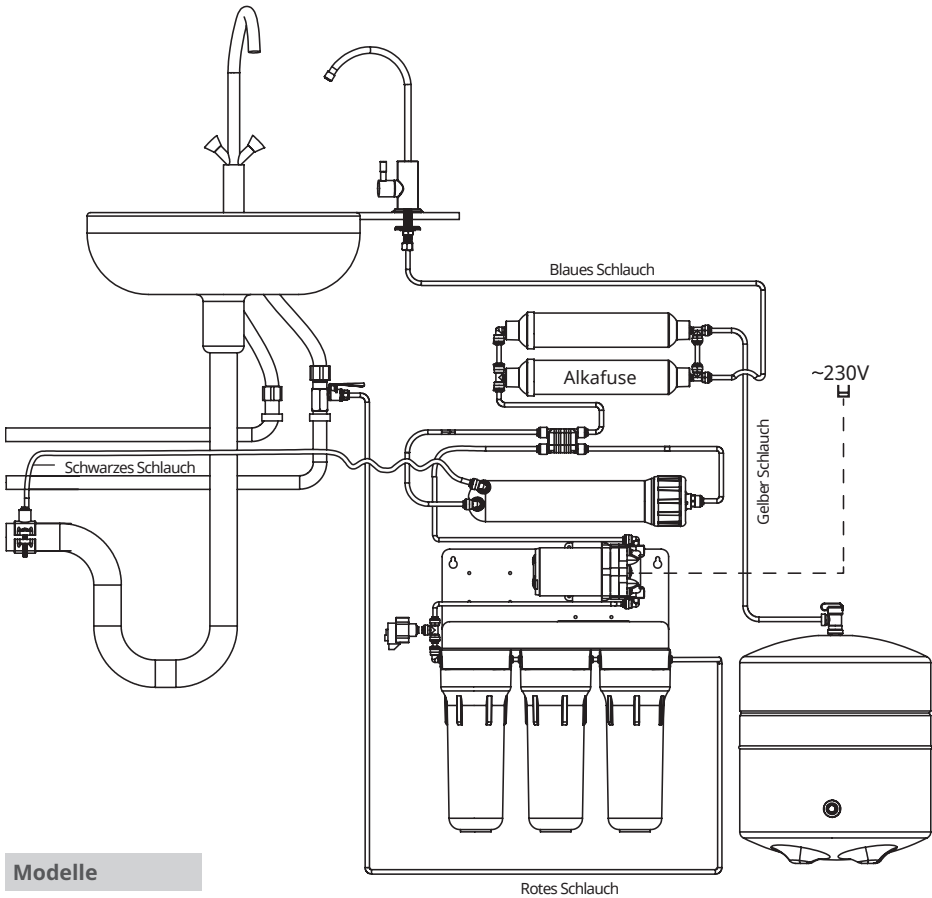


- Modelle**
- MO 6 50 ALC**
 - MO 6 75 ALC**
 - MO 6 100 ALC**

Der Hersteller behält sich das Recht vor, das Produktdesign oder bestimmte Komponenten zu ändern, wenn diese Änderung keine Verschlechterung der Verbrauchseigenschaften des Produkts zur Folge hat.

3. VERBINDUNGSDIAGRAMME

3.7.1. ANSCHLUSSPLAN FÜR DAS SYSTEM PURE ALKAFUSE MT PUMPE



Modelle

MO 6 50 ALK P S

MO 6 75 ALK P S

MO 6 100 ALK P S

Der Hersteller behält sich das Recht vor, das Produktdesign oder bestimmte Komponenten zu ändern, wenn diese Änderung keine Verschlechterung der Verbrauchseigenschaften des Produkts zur Folge hat.

4. INSTALLATION DER UMKEHROSMOSEANLAGE



Bevor Sie einen Umkehrosmosefilter für den Hausgebrauch installieren, lesen Sie bitte diese Anleitung sorgfältig durch.



Dieses System muss in Übereinstimmung mit den örtlichen Vorschriften installiert werden.



Das Produkt darf nur mit kaltem Wasser betrieben werden!

4.1. VOR BEGINN DER INSTALLATION

1) Überprüfen Sie, ob alle Teile in der Verpackung sind. Öffnen Sie die Plastiktüten mit den Filterteilen erst, wenn Sie sich vergewissert haben, dass alles da ist, da es nicht möglich ist fehlerhafte/unvollständige Geräte zu retournieren, wenn die Filterteile aus ihrer Verpackung genommen wurden.

2) Prüfen Sie, ob die lokale Wasserversorgung mit den Anforderungsspezifikationen übereinstimmt:

Wasserdruck an der Hauptwasserleitung*	Tankdruck*	Vorlaufwassertemperatur*
Prüfen Sie den Wasserdruck in der Leitung, bevor Sie das Produkt installieren und vergleichen Sie ihn mit den Anforderungen in Abschnitt 2.2.	Überprüfen Sie den Druck in der Tankblase und vergleichen Sie ihn mit den Anforderungen in Abschnitt 2.2.	Prüfen Sie die Temperatur des Leitungswassers und vergleichen Sie ihn mit den Anforderungen in Abschnitt 2.2.

* Empfohlene Maßnahmen für den Fall, dass eine der oben genannten Variablen nicht den Anforderungen entspricht, sind in Abschnitt 2.2 beschrieben.

- Überprüfen Sie, ob Ihr Produkt den Angaben in Abschnitt 2.1 entspricht;
- Überprüfen Sie, ob die Qualität des Zulaufwassers** den Anforderungen in Abschnitt 2.2 entspricht.

** Entspricht die Qualität des Zulaufwassers nicht den Anforderungen, muss ein Wasseraufbereitungs-Profi hinzugezogen werden.



4. INSTALLATION DER UMKEHROSMOSEANLAGE



3) Umkehrosmoseanlagen müssen vor hohem Druck und plötzlichen Druckstößen geschützt werden, die von den örtlichen Wasserversorgungssystemen verursacht werden. Am Eingang der Anlage muss ein Druckregler installiert werden.

Der optimale Betriebsdruck für das System beträgt 3,5 Bar (52,5 psi). Der Drucktank ist vom Hersteller auf diesen Parameter voreingestellt. Die Nichtinstallation eines Druckreglers kann zu Schäden an druckempfindlichen Komponenten führen und die Garantie erlöschen lassen.

4) Vergewissern Sie sich vor der Installation des Systems, dass unter der Spüle genügend Platz für das Filtergestell und den Drucktank vorhanden ist. Falls der Platz nicht ausreicht, kann der Drucktank an einem anderen Ort aufgestellt werden, sofern die Länge des gelben Schlauchs ausreicht, um ihn mit dem Rest des Systems zu verbinden.

5) Hinweis zur elektrischen Sicherheit: Dieses Gerät sollte an einen Stromkreis angeschlossen werden, in dem ein FISchutzschalter installiert ist. Bitte beachten Sie die Spannungsanforderungen.

6) Installieren Sie das System gemäß den Richtlinien in diesem Handbuch.

7) Vor der Installation muss das Fachpersonal das Datum, den Zulaufwasserdruck, die Wassertemperatur und die Ergebnisse der Zulaufwasseranalyse im Installationsprotokoll (Abschnitt 9.1) festhalten. Diese Informationen sind für die Überwachung der Betriebsbedingungen des Systems, die Sicherstellung der ordnungsgemäßen Einrichtung und die Maximierung der Filtrationseffizienz unerlässlich. Nach der Installation sollten die Zeit zum Füllen des Tanks und die Umwandlungsrate aufgezeichnet werden. Dies hilft bei der Beurteilung der Leistung des Systems und stellt sicher, dass Abweichungen von der Norm, die die Produktivität beeinträchtigen könnten, sofort erkannt werden.

8) Das Gerät ist mit einphasigem 230 VAC, 50 Hz Strom zu versorgen. Das Gerät wird mit einem Netzkabel geliefert und kann an eine ordnungsgemäß installierte, IEC 60884-1-konforme Steckdose angeschlossen werden. Die elektrischen Spezifikationen des Geräts finden Sie auf dem Fabrikaufkleber des Herstellers. Das System und die Installation müssen den staatlichen und örtlichen Gesetzen und Vorschriften entsprechen.

4.2. INSTALLATIONSVERFAHREN



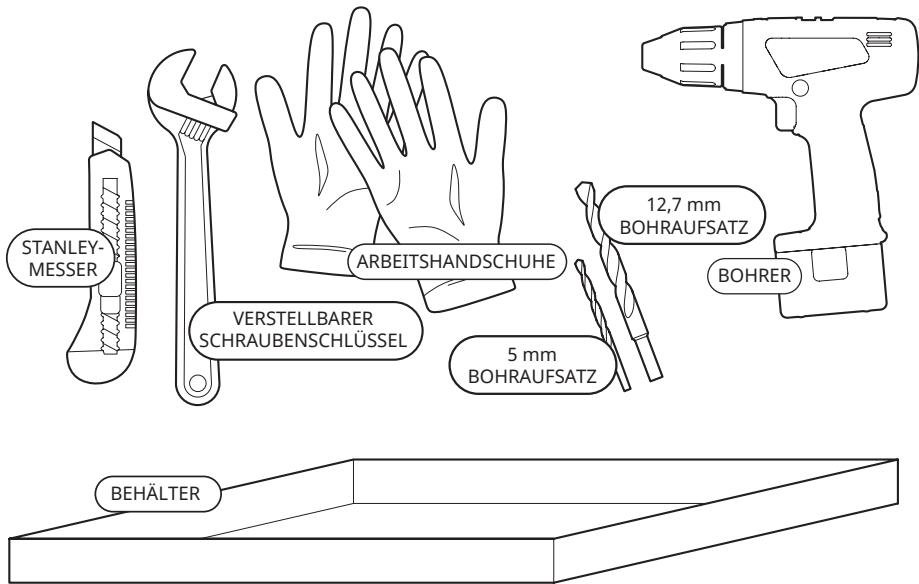
VORSICHT! Dieses System wurde vom Hersteller auf Dichtheit geprüft, sodass innerhalb des Systems das Vorhandensein von Restwasser zulässig ist.

Waschen Sie Ihre Hände gründlich mit antibakterieller Seife, bevor Sie Schläuche, Kartuschen und Membranen anfassen.

Dieses System sollte vorzugsweise an Orten installiert werden, die vor direkter Sonneneinstrahlung geschützt und von Heizgeräten entfernt sind.

4. INSTALLATION DER UMKEHROSMOSEANLAGE

4.2.1 EMPFOHLENE WERKZEUGE FÜR DIE INSTALLATION



DE



Achten Sie darauf, dass Kinder unter 3 Jahren während der Installation oder Wartung des Filters nicht an Kleinteile kommen.

Halten Sie Kinder von der Filteranlage und ihren Komponenten fern, wenn sie nicht von Erwachsenen beaufsichtigt werden."

4.2.2 INSTALLATIONSVERFAHREN

1. Nehmen Sie die Umkehrosmoseanlage aus der Verpackung und überprüfen Sie das Gerät. Öffnen Sie dabei den Beutel mit den Komponenten nicht, da es nicht möglich ist, fehlende Teile zu reklamieren, wenn der Beutel geöffnet ist.
2. Stellen Sie die Wasserversorgung in der Küche oder im ganzen Haus ab und drehen Sie das Wasser bei dem Hahn auf, an dem Sie das System installieren möchten (z. B. an der Küchenspüle). Lassen Sie das Wasser eine Minute laufen, um den Druck im Wasserkreislauf abzulassen und drehen Sie den Wasserhahn dann wieder zu.

4. INSTALLATION DER UMKEHROSMOSEANLAGE

3. Schrauben Sie den Zulaufwasser-Adapter **4** in die Kaltwasserleitung. Schrauben Sie das Zulaufwasser-Ventil **5** in den Zulaufwasser-Adapter **4**. Bringen Sie Teflon-Dichtband an, um alles abzudichten.

Die Anschlussgröße ist so gewählt, dass sie für die gängigsten Rohrgrößen $\frac{1}{2}$ " und $\frac{3}{8}$ " passt. Wenn Ihr Rohr eine andere Größe hat, bereiten Sie einen entsprechenden Adapter vor.

Abb. A1

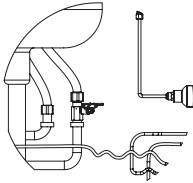


Abb. A2

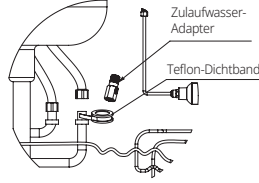
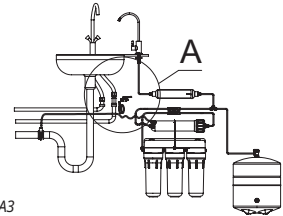
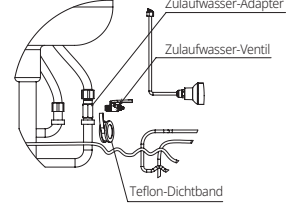


Abb. A3



4. Schrauben Sie die Überwurfmutter vom Zulaufwasser-Ventil **5** ab und setzen Sie sie auf den roten Schlauch. Schieben Sie nun den roten Schlauch auf das Zulaufwasser-Ventil und schrauben Sie die Überwurfmutter fest. Das andere Ende des roten Schlauches ist bereits mit dem seitlichen Anschlussstück verbunden. Verbinden Sie das Anschlussstück mit dem ersten (ganz rechten) Filtergehäuse des Filtermoduls anstelle des roten Steckers.

Vom Wasserhahn entlang des roten Schlauchs wird als erstes Element ein Mini-Druckminderer* installiert.

Richten Sie den Druckminderer* nach dem Pfeil auf dem Gehäuse aus (Wasserflussrichtung).

Installieren Sie nach dem Reduzierventil einen Leckagesensor*. Verbinden Sie den Ausgang des Leckagesensors mit einem roten Schlauch mit dem Umkehrosmosefilter.

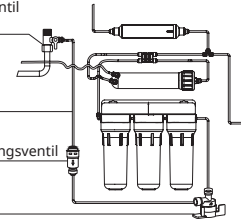
Installieren Sie den Leckagesensor* streng horizontal auf einer ebenen Fläche unter dem System, damit das Absorptionselement ordnungsgemäß funktionieren kann.

Zulaufwasserventil mit Ventil

Roter Schlauch

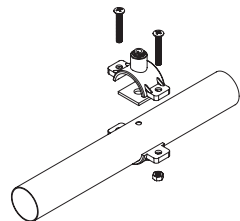
Druckbegrenzungsventil

Leckdetektor



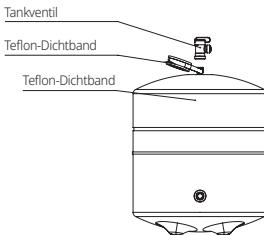
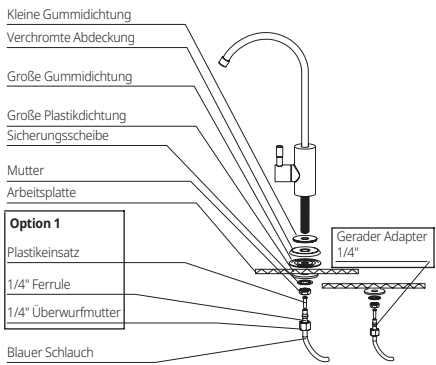
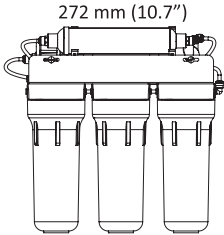
5. Verbinden Sie die Ablaufschelle **8** mit dem Abflussrohr der Küchenspüle. Die Ablaufschelle ist mit den meisten Standard-Abflussrohren kompatibel. Bohren Sie ein Loch mit einem Durchmesser von 5,0 mm (0,2") in das Abflussrohr Ihrer Küchenspüle und bringen Sie eine selbstklebende Gummidichtung an (in der Verpackung enthalten). Installieren Sie die Ablaufschelle **8** auf dem Abflussrohr über dem Loch. Ziehen Sie nun die Schrauben an der Ablaufschelle mit einem Schraubenzieher fest. Führen Sie den schwarzen Schlauch in den Anschluss an der Schelle ein (Abbildung 4) und verbinden Sie das andere Ende des schwarzen Schlauches mit dem Konzentratauslass des Membrangehäuses.

VORSICHT! Prüfen Sie, ob der Durchflussregler 12 im schwarzen Rohr an dem Ende installiert ist, das mit dem Membrangehäuse verbunden ist. VORSICHT! Wenn Umkehrosmoseanlagen keine Luftspaltarmaturen verwenden, müssen sie mit einem Luftspalt zwischen dem Abwasserauslass und dem Abfluss angeschlossen werden. Dadurch wird verhindert, dass bei einem Rückstau im Abfluss Abwasser in das Umkehrosmose-System hochgedrückt wird.



*Enthalten im Lieferumfang von Umkehrosmosefiltern mit Herstellungsdatum ab dem 01.01.2026.

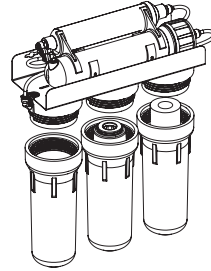
4. INSTALLATION DER UMKEHROSMOSEANLAGE

6.	<p>Umwickeln Sie den Tankgriff 5–6 Mal mit dem Teflon-Dichtband und drehen Sie das Tankventil von Hand zu – nicht zu fest zudrehen, da dies zu Schäden führen kann. Schließen Sie nun das Tankventil.</p> <p>WICHTIG! Prüfen Sie den Luftdruck im leeren Tank welcher bei 0,4–0,6 Bar (5,8–8,7 psi) liegen muss. Falls erforderlich, verwenden Sie eine Pumpe mit Manometer, um den Druck zu erhöhen, oder drücken Sie auf den Kolben in der Mitte des Ventilkörpers, um Druck abzulassen.</p>	
7.	Einbau des Wasserhahns.	
7.1	<p> Wenn Ihr Waschbecken kein Loch für den Trinkwasserhahn hat, müssen Sie eines bohren.</p> <p>Zur Installation des Trinkwasserhahns 3 bohren Sie ein Loch mit einem Durchmesser von 12,5 mm (1/2") für einen Einwegehahn oder ein Loch mit einem Durchmesser von 17 mm (2/3") für einen Zweivegehahn an einer geeigneten Stelle am Waschbecken oder auf der Arbeitsplatte.</p> <p>Vorsicht! Metallspäne können Ihr Gerät beschädigen. Entfernen Sie diese vorsichtig, sobald Sie das Loch gebohrt haben. Wenn die Montagefläche aus Keramik oder Stein besteht, benötigen Sie möglicherweise einen speziellen Hartmetallbohrer.</p>	
7.2	Montieren Sie die Armatur auf dem Waschbecken oder der Arbeitsplatte wie in der Abbildung gezeigt. Mutter, Sicherungsscheibe und Kunststoffunterlegscheibe am Armaturenschaft fixieren.	
7.3	Nehmen Sie den blauen Schlauch und schieben Sie ihn in zuerst auf die Überwurfmutter; dann auf die Ferrule setzen Sie dann den Plastikeinsatz in das Rohr ein.	
7.4	Drücken Sie den blauen Schlauch so tief wie möglich in der Unterseite des Wasserhahnschaftes, bis die Überwurfmutter sich an der Verbindungsstelle befindet. Drehen Sie die Überwurfmutter fest, um den Schlauch mit dem Wasserhahn zu verbinden.	
7.5	Die Montage der Zweigriffarmatur (für Modelle mit entsprechender Konfiguration) wird in ähnlicher Weise durchgeführt.	 <p style="text-align: center;">Wählen Sie Ihr Set für den Wasserhahn-Anschluss</p>
8.	Wählen Sie die Stelle aus, an der Sie den Filter installieren wollen, und bohren Sie zwei Löcher. Der Abstand zwischen den Löchern in der Wand muss genau mit Abstand zwischen den Löchern in der Halterung übereinstimmen. Lassen Sie mindestens 100 mm (3,9") Abstand zwischen der Unterseite des Filters und dem Boden. Bringen Sie ggf. Dübel an und schrauben Sie zwei Schrauben ein (nicht im Lieferumfang enthalten). Der Abstand zwischen den Löchern beträgt 272 mm (10,7").	

4. INSTALLATION DER UMKEHROSMOSEANLAGE

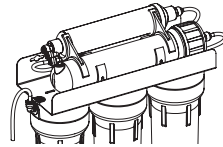
9. Setzen Sie die Kartuschen in das erste und zweite Gehäuse in Richtung des Wasserflusses gesehen (links) ein.

Wenn die Kartuschen für PURE-Modelle im Filtergehäuse installiert sind, lassen Sie bitte die Luft ab, indem Sie die farbigen Stopfen herausziehen (es kann zu Geräuschen kommen).*



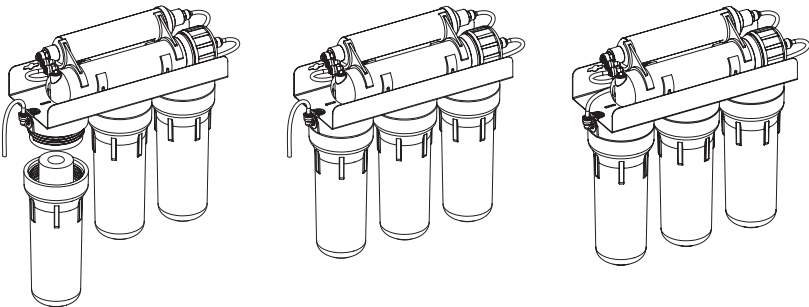
10. Ziehen Sie alle drei Gehäuse von Hand fest.

11. Ziehen Sie den Schlauch, der das dritte Gehäuse (in Fließrichtung des Wassers) mit dem automatischen Absperrventil verbindet, vom Ventil ab.



12. Öffnen Sie den Trinkwasserhahn **3** und lassen Sie etwa 5–7 Liter (1,5–2 Gallonen) Wasser ablaufen, um die Vorfilter-Kartuschen zu spülen. Das entfernt etwaige schwarze Kohlepartikel, die sich durch den Transport gelöst haben könnten. Drehen Sie das Wasser ab, bevor sie die dritte Kartusche einbauen.
VORSICHT! Das Wasser fließt durch den vom automatischen Absperrventil abgetrennten Schlauch, bereiten Sie einen Behälter zum Auffangen vor.

13. Stecken Sie die Kartusche in das dritte Gehäuse in Fließrichtung des Wassers und befestigen Sie dieses wieder. Verbinden Sie das freie Ende des Schlauches mit dem automatischen Absperrventil.

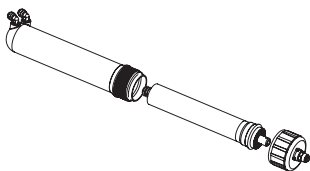
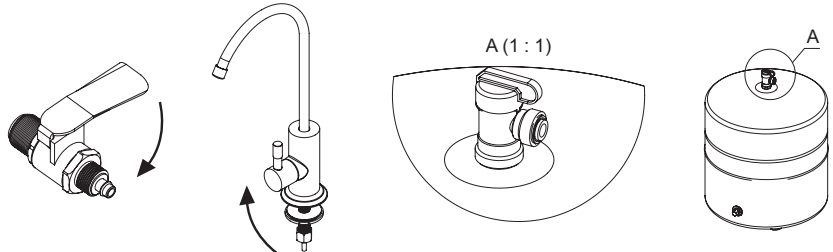


Wenn Ihr Umkehrosmosefilter nur CTO Aquagreen- und/oder CTO-Vorfilterpatronen (ohne GAC-Kohlefilter) enthält, können Sie die Punkte 9 bis 14 überspringen.*

Wenn die Kartuschen für PURE-Modelle im Filtergehäuse installiert sind, lassen Sie bitte die Luft ab, indem Sie die farbigen Stopfen herausziehen. Bei solchen Filtern können Sie die Punkte 9–14 ebenfalls überspringen.*

*Enthalten im Lieferumfang von Umkehrosmosefiltern mit Herstellungsdatum ab dem 01.01.2026.

4. INSTALLATION DER UMKEHROSMOSEANLAGE

14.	<p>Setzen Sie die Umkehrosmosemembran 11 in das Membrangehäuse ein. VORSICHT! Setzen Sie die Membran direkt aus dem Beutel in das Gehäuse ein, und achten Sie darauf, dass die Membran nichts berührt, und greifen Sie sich nicht an. Schneiden Sie dazu den Plastikbeutel auf, halten Sie die Membran mithilfe des Beutels fest und schieben Sie sie direkt aus dem Beutel in das Gehäuse.</p>	
15.	<p>Lassen Sie das Zulaufwasser-Ventil 5 und den Trinkwasserhahn 3 30 Minuten lang geöffnet. Dann öffnen Sie das Tankventil 6. Schließen Sie den Wasserhahn 3 und prüfen Sie alle Anschlüsse sorgfältig auf Dichtheit. VORSICHT! Überprüfen Sie das System in der ersten Woche nach der Installation täglich auf undichte Stellen, danach in regelmäßigen Abständen. Wenn Sie für längere Zeit wegfahren, z. B. auf eine Geschäftsreise oder in den Urlaub, stellen Sie die Wasserversorgung ab.</p>	
16.	<p>Warten Sie, bis Ihr Wassertank mit gefiltertem Wasser gefüllt ist. Je nach Wasserdruck in Ihren Leitungen dauert das 1,5–3 Stunden und Sie werden hören, dass das Wasser aufhört, zu fließen, wenn der Tank voll ist. Lassen Sie nun das gesamte Wasser aus dem Tank ablaufen, indem Sie den Wasserhahn aufdrehen und so lange laufen lassen, bis er nur mehr tropft. Nach dem vollständigen Entleeren des Tanks drehen Sie den Wasserhahn 3 wieder zu, damit sich der Tank wieder füllt (je nach Wasserdruck 1,5–3 Stunden). Wiederholen Sie den Vorgang der vollständigen Tankentleerung 2–3 Mal, bevor Sie das gereinigte Wasser nutzen. Bei den Modellen mit mineralisierendem Nachfilter kann das gereinigte Wasser nach der Installation leicht trüb sein. Lassen Sie mehrere zusätzliche Tanks mit gereinigtem Wasser ab, bis das Wasser klar ist.</p>	
17.	<p>Anfänglich kann Ihr Wasser trüb erscheinen, was auf Luft im System zurückzuführen ist. Wenn Sie das Glas Wasser ein paar Minuten stehen lassen, wird das Wasser klar, da die Luft entweicht. Das ist normal und wird mit der Zeit weniger, wenn die Luft aus den Filtern gespült wird.</p>	

DE

5. SCHRITTE NACH DER INSTALLATION

ÜBERPRÜFUNG DER BETRIEBSPARAMETER DES GERÄTS

1. Die zum Füllen des Tanks benötigte Zeit messen. Der Tank ist gefüllt, wenn das Ablassen des Konzentrats in den Abfluss beendet ist. Der ermittelte Wert ist abhängig vom Zulauf-Wasserdruck (Druck im Wassernetz).

5. SCHRITTE NACH DER INSTALLATION

2. Messen Sie den Rückgewinnungsgrad (Anteil des Leitungswassers, der gereinigt wird). Sie benötigen einen Messbecher mit einem Volumen von 1 Liter und eine Stoppuhr. Schließen Sie das Tankventil 6, öffnen Sie den Wasserhahn 3 und messen Sie die Zeit, die das Gerät benötigt, um 1 L Permeat (gereinigtes Wasser) zu produzieren, und schließen Sie dann den Wasserhahn 3. Schreiben Sie das Ergebnis auf („t Permeate“ in der nachstehenden Gleichung). Den schwarzen Schlauch, der mit dem Abfluss des Spülbeckens verbunden ist, vom Abflusssattel abziehen. Öffnen Sie den Wasserhahn 3 und messen Sie die Zeit, die das Gerät benötigt, um 1 L Konzentrat (Abwasser) zu produzieren, schließen Sie dann den Wasserhahn 3 und öffnen Sie das Tankventil 6. Notieren Sie das Ergebnis („t Concentrate“ in der nachstehenden Gleichung). Berechnen Sie die Rückgewinnungsrate anhand dieser Formel:

$$R, \% = \frac{t_{\text{Concentrate}}}{t_{\text{Permeate}} + t_{\text{Concentrate}}} \times 100 \%$$

Dabei ist t die Anzahl der Sekunden, um 1 L Wasser zu erhalten, R ist die Rückgewinnungsrate.

3. Messen Sie den TDS-Wert des Versorgungswassers und den TDS-Wert des gereinigten Wassers mit einem kalibrierten TDS-Messgerät.
4. Prüfen Sie, ob das automatische Absperrventil richtig funktioniert. Schließen Sie das Tankventil 6 und den Wasserhahn 3. Das Gerät muss innerhalb von 10 Minuten aufhören zu arbeiten (es darf kein Wasser mehr in den Abfluss geleitet werden).
5. Prüfen Sie das Gerät auf Lecks.
6. Klären Sie den/die Besitzer:in des Geräts über die Wartung des Filters hin und fordern Sie ihn/sie auf, dieses Handbuch zu lesen.
7. Tragen Sie die Inbetriebnahme in das Wartungsprotokoll in Abschnitt 9 dieses Handbuchs ein.
8. Die Umkehrosmoseanlage enthält eine austauschbare Aufbereitungskomponente, die für die wirksame Reduktion der TDS entscheidend ist. Testen Sie das gereinigte Wasser regelmäßig, um sicherzustellen, dass das System korrekt funktioniert.

6. VERWENDUNG

1) Zweck des Systems

Die Umkehrosmoseanlage für den Hausgebrauch ist nur für die Nachbehandlung von Kaltwasser ausgelegt.

2) Auswechseln der Vorfilterkartuschen

Wenn sich die Zeit zum Füllen des Tanks verlängert hat, kann dies ein Hinweis darauf sein, dass die

6. VERWENDUNG

Vorfilterkartuschen das Ende ihrer Lebensdauer erreicht haben und sofort ausgetauscht werden müssen. Ein verzögerter Austausch der Kartuschen kann zur Beschädigung oder Zerstörung der Umkehrosmosemembran führen. Um solche kritischen Situationen zu vermeiden, empfehlen wir dringend, die Vorfilterkartuschen spätestens alle 6 Monate auszutauschen. Beachten Sie dabei, dass die Kartuschen mit Ihrem Filtermodell kompatibel sein müssen.

3) Auswechseln der Umkehrosmosemembran

Wenn die Filtrationsrate deutlich abnimmt, kann dies ein Zeichen dafür sein, dass die Umkehrosmosemembran ausgetauscht werden muss. Um eine stabile Qualität des gereinigten Wassers zu gewährleisten, wird empfohlen, die Umkehrosmosemembran mindestens alle 1 bis 1,5 Jahre auszutauschen. Wenn der TDS-Wert (Total Dissolved Solids) im gereinigten Wasser den zulässigen Grenzwert überschreitet, ist dies ebenfalls ein Signal für den Austausch der Membran.

4) Desinfektion und Austausch von Filterelementen

Bei längeren Betriebspausen (länger als 2 Wochen) ist es notwendig, das System wie unter Punkt 7 beschrieben zu desinfizieren und alle Filterelemente auszutauschen. Dadurch wird die Ansammlung von Mikroorganismen verhindert und eine hohe Wasserqualität nach dem Gebrauch gewährleistet. Zur Desinfektion der Anlage gehört auch die Behandlung der Leitungen und des Wassertanks, um Bakterien- oder Schimmelpilzwachstum zu verhindern.

5) Wasserversorgung bei längerer Abwesenheit abdrehen

Wenn Sie planen, das System für einen längeren Zeitraum nicht zu benutzen (mehr als 2 Tage, z. B. während eines Urlaubs oder einer Geschäftsreise), empfiehlt es sich, die Wasserzufuhr zum System abzustellen. Dies hilft, Wasserlecks oder mögliche Schäden an der Anlage zu vermeiden, insbesondere im Falle unvorhergesehener Situationen wie Druckschwankungen oder Anschlussproblemen. Es ist auch wichtig, die Dichtheit aller Verbindungen zu überprüfen, bevor Sie das System unbeaufsichtigt lassen.

6) Wasserdruck prüfen

Das Wasser sollte dem System mit einem Druck zugeführt werden, der den vom Hersteller empfohlenen Parametern entspricht (normalerweise 2–4,5 Bar). Ist der Wasserdruck zu niedrig, kann das System ineffizient arbeiten, ist er zu hoch, kann er die Membran beschädigen. Die Verwendung eines Druckminderers zur Einstellung des Drucks ist obligatorisch.

7) Installieren eines Druckreglers vor der Umkehrosmoseanlage

Die Umkehrosmoseanlage muss vor hohem Druck und starken Druckschwankungen geschützt werden, die aufgrund der Eigenschaften des örtlichen Wasserversorgungssystems auftreten können. Am Eingang der Anlage muss ein Druckregler installiert werden. Der optimale Betriebsdruck für die Anlage ist 3,5 Bar (52,5 psi). Das Fehlen eines Druckreglers kann zu Schäden an druckempfindlichen Bauteilen führen und die Garantie erlöschen lassen.

8) Verwenden Sie das System nicht zum Reinigen von Wasser, das Öle, Lösungsmittel oder aggressive Chemikalien enthält.

Die Umkehrosmose eignet sich nicht für die Reinigung von Wasser, das organische Lösungsmittel, Öle oder andere aggressive Chemikalien enthält. Solche Verunreinigungen können die Membran beschädigen und die Filtrationsleistung verringern. Für die Reinigung von Wasser mit solchen Verunreinigungen sind spezielle Filtersysteme erforderlich.

6. VERWENDUNG

9) Reinigung externer Komponenten

Um die Sauberkeit und Sicherheit des Systems zu erhalten, reinigen Sie die äußeren Komponenten (z. B. das Gehäuse, die Anschlüsse) mit einem weichen, mit einer Reinigungslösung angefeuchteten Tuch. Vermeiden Sie die Verwendung scharfer Chemikalien, die die Oberfläche und die Komponenten des Systems beschädigen könnten.

10) Überwachung des Systembetriebs

Überprüfen Sie regelmäßig den Betrieb des Systems, beobachten Sie Veränderungen in der Leistung und den Wasserstand im Tank. Wenn das System mit verminderter Leistung arbeitet oder ungewöhnliche Geräusche oder Gerüche auftreten, kann dies ein Zeichen dafür sein, dass eine sofortige Wartung oder ein Austausch von Komponenten erforderlich ist.

11) Notieren Sie bei jeder Wartung das Datum und die durchgeführten Arbeiten im Wartungsprotokoll

Zur Vereinfachung und zum ordnungsgemäßen Betrieb des Systems wird empfohlen, ein Wartungsprotokoll zu führen. Darin sollten die Daten des Austauschs von Kartuschen, Membranen und anderen Komponenten sowie die Daten der Desinfektion und anderer wichtiger Wartungsaufgaben festgehalten werden.

12) Prüfen Sie das System auf Lecks

Überprüfen Sie das System auf undichte Stellen. Wenn Sie ein Leck entdecken, wenden Sie sich an das Serviceteam.

13) Um Undichtigkeiten zu vermeiden und die ordnungsgemäße Funktion des Filters zu gewährleisten, müssen die Dichtungsringe in den Flaschen für die Filterelemente mindestens einmal jährlich ausgetauscht werden.

Die Nichtbeachtung dieser Anforderung kann zu einem Ausfall des Systems und zu Undichtigkeiten führen.

14) Mini-Druckminderer

Installieren Sie den Druckminderer am Einlassschlauch des Filters und beachten Sie dabei die Wasserflussrichtung gemäß dem Pfeil auf dem Gehäuse.

15) Leckagesensor

Montieren Sie den Sensor horizontal unter dem System auf einer ebenen Fläche – zwischen dem Druckminderer und dem Filter.

Gewährleistungsausschluss:

Die Garantie deckt keine Schäden ab, die durch eine Verletzung der Betriebsbedingungen verursacht wurden, wie z. B. die Verwendung des Systems für andere als die vorgesehenen Zwecke, unsachgemäße Wartung oder Anpassungen am Gerät, das Fehlen eines Druckreglers oder die Verwendung von Wasser mit aggressiven Chemikalien. Die Nichteinhaltung der Empfehlungen zum Kartuschenwechsel, zum Austausch der Membran, zur Überprüfung des Wasserdrucks oder zur Desinfektion kann zum Erlöschen der Garantie führen.

6. VERWENDUNG

6.1. SYSTEMKOMPONENTEN UND IHRE EMPFOHLENE WECHSELINTERVALLE

Filtrationsstufe	Name der Patrone	Frist für den Austausch*
Erste, zweite, dritte	Ecosoft schmelzgeblasener Polypropylen-Sedimentfilter, 5 Mikron	Einmal in 3 Monaten für alle Modelle von Umkehrosroseanlagen, außer Modelle mit AquaGreen-Technologie. Einmal in 6 Monaten für Modelle mit AquaGreen-Technologie
	Ecosoft Aktivkohlefilter	
	Ecosoft AquaGreen Aktivkohle-Blockfilter	
	Ecosoft schmelzgeblasener Polypropylen-Sedimentfilter, 1 Mikron	
	Ecosoft Ersatzfilter CTO-Aktivkohle-Blockfilter	
Vierte	Ecosoft Ersatzfilter Polypropylen-Sedimentfilter, 5 Mikron, bakterio-statische Wirkung"	Einmal im Jahr
	Ecosoft Umkehrosrosemembran* 50 GPD	
	Ecosoft Umkehrosrosemembran* 75 GPD Ecosoft Umkehrosrosemembran* 100 GPD	
Fünfte, sechste	Ecosoft C-Kokosnuss-Kohle-Nachfilter Ecosoft Balance Ecosoft Mineralisierender Nachfilter Ecosoft Alkafuse Ecosoft AquaCalcium	Once in 6 month

* Diese Umkehrosroseanlage enthält eine austauschbare Aufbereitungskomponente, die für die wirksame Reduktion der TDS entscheidend ist. Testen Sie das gereinigte Wasser regelmäßig, um sicherzustellen, dass das System korrekt funktioniert.



Um Ersatzkomponenten zu kaufen, besuchen Sie www.ecosoft.com.

DIE FOLGENDEN ERSATZFILTER SIND MIT IHREM HAUSHALTSUMKEHROSMOSE-SYSTEM KOMPATIBEL

Standard-Serie

Art der Kartusche	Empfohlene Austauschfrequenz (Monate)	Filtermodell		
		MO550ECOSTD	MO550PECOSTD	MO650MECOSTD
Vorfilterkartuschen	alle 3	CPV3ECOSTD oder CHV3ECO		
Membranelement	alle 12	CSV181250ECO		
Kohle-Nachfilter	alle 6	CHV2010ECOPKG		
Mineralisierender Nachfilter	alle 6	—	—	PD2010ECOPKG

* Die Häufigkeit des Austauschs der Kartuschen hängt von der Qualität des Eingangswassers ab. Die maximale Nutzungsdauer der austauschbaren Elemente ab dem Zeitpunkt der Installation beträgt 2 Jahre.

6. VERWENDUNG

Art der Kartusche	Empfohlene Austauschfrequenz (Monate)	Filtermodell		
		MO550MECOSTD	MO550MPECOSTD	MO550MPSECOSTD
Vorfilterpatronen	alle 3		CPV3ECOSTD	
Membranelement	alle 12		CSV181250ECO	
Kohle-Nachfilter	alle 6	—	—	—
Mineralisierender Nachfilter	alle 6		PD2010ECOPKG	

Absolute-Serie

Art der Kartusche	Empfohlene Austauschfrequenz (Monate)	Filtermodell	
		MO675MECO	MO675MPSECO
Vorfilter-Kartuschensatz und Mineralisierer und/oder Nachfilter	alle 6		CHV5ECOABS
Vorfilter-Kartuschensatz und Mineralisierer und/oder Nachfilter mit Membranelement	alle 12		CHV6ECOABS

PURE-Serie

Art der Kartusche	Empfohlene Austauschfrequenz (Monate)	Filtermodell		
		MO675MPUREBALECO MO675MBALPSECO	MO675PUREMACECO MO675PSMACECO	MO675ALCPUREECO MO675MALCPSECO
Vorfilter-Kartuschensatz und Mineralisierer und/oder Nachfilter	6	CHV5PUREBAL	CHV5PUREMAC	CHV5PUREALC
Vorfilter-Kartuschensatz und Mineralisierer und/oder Nachfilter mit Membranelement	12	CHV6PUREBAL	CHV6PUREMAC	CHV6PUREALC

* Die Häufigkeit des Austauschs der Kartuschen hängt von der Qualität des Eingangswassers ab. Die maximale Nutzungsdauer der austauschbaren Elemente ab dem Zeitpunkt der Installation beträgt 2 Jahre.

6. VERWENDUNG



Wenn die Qualität des Zulaufwassers sinkt, kann das die Lebensdauer von Ersatzfiltern verkürzen und sie müssen möglicherweise öfter getauscht werden.



Das System darf nur von qualifiziertem Fachpersonal gewartet werden.



Der Austausch der Vorfilter-Kartuschen ist bei allen Filtermodellen außer jenen mit AquaGreen-Funktion alle 3 Monate erforderlich. Bei Modellen mit AquaGreen ist ein Austausch alle 6 Monate erforderlich.

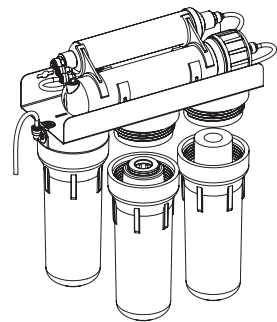


Um Ersatzfilter zu kaufen, besuchen Sie <https://www.ecosoft.com/>

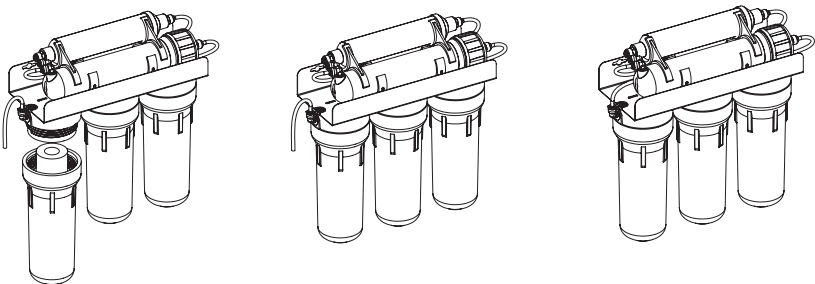
DE

6.2. DAS VERFAHREN ZUM AUSTAUSCHEN DER VORFILTERKARTUSCHEN

1.	Schließen Sie das Zulaufwasser-Ventil 5 und das Tankventil 6 .
2.	Waschen Sie Ihre Hände mit antibakterieller Seife.
3.	Verwenden Sie den Filtergehäuseschlüssel 10 um die ersten beiden Filtergehäuse in Fließrichtung des Wassers (von rechts nach links) abzuschrauben. Achtung: Die Filtergehäuse sind mit Wasser gefüllt.
4.	Entfernen Sie die verbrauchten Filterkartuschen.
5.	Waschen Sie die Filtergehäuse mit neutraler Seife und einem sauberen Schwamm und spülen Sie sie anschließend gründlich mit Wasser aus.
6.	Setzen Sie die neuen Kartuschen in das erste und zweite Gehäuse in Richtung des Wasserflusses ein.
6.1	Wenn Ihr Kartuschen-Set für die Umkehrosmosefilter nur CTO Aquagreen und/oder CTO (ohne GAC-Kohlefilter) enthält, können Sie die Punkte 7 bis 11 überspringen.
7.	Trennen Sie den Schlauch, der vom dritten Filtergehäuse kommt vom automatischen Absperrventil.
8.	Öffnen Sie das Zulaufwasser-Ventil 5 und spülen Sie die ersten beiden installierten Kartuschen mit 5-7 Litern Wasser, um den Kohlestaub auszuspülen, der während des Transports in den Kartuschen entstanden sein könnte. VORSICHT! Dieses Wasser fließt durch den Schlauch, der vom automatischen Absperrventil getrennt ist. Bereiten Sie ein Gefäß vor, um es aufzufangen.



6. VERWENDUNG

9.	Entfernen Sie das Gehäuse des dritten Vorfilters vom Filterkopf. Seien Sie vorsichtig, da er mit Wasser gefüllt ist.
10.	Entfernen Sie die verbrauchte Filterkartusche und waschen Sie das Filtergehäuse mit neutraler Seife und einem sauberen Schwamm, dann spülen Sie sie gründlich mit Wasser aus.
11.	Neue Kartusche in das dritte Filtergehäuse einsetzen. Schrauben Sie das Gehäuse wieder auf und lassen Sie mindestens 4 weitere Liter Wasser durch die Filter laufen, um den Kohlestaub auszuspülen. Schließen Sie das Zulaufwasser-Ventil 5 und verbinden Sie den Schlauch wieder mit der automatischen Absperrventil.
	
13.	Tankventil 6 öffnen.
14.	Zulaufwasser-Ventil 5 öffnen.

6.3. DAS VERFAHREN ZUM AUSTAUSCH DER MEMBRAN



Der Austausch der Membrane sollte von einem qualifizierten Fachmann durchgeführt werden.

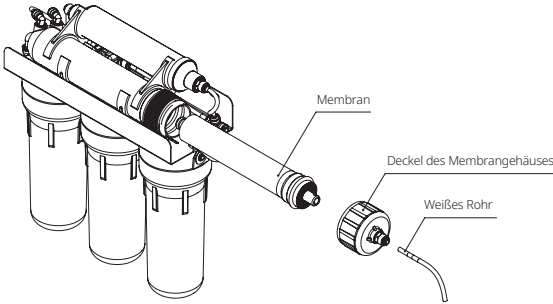


Um Ersatzfilter zu kaufen, besuchen Sie <https://www.ecosoft.com/>



Es wird empfohlen, die Umkehrosmosemembran einmal pro Jahr auszutauschen.

6. VERWENDUNG

1.	Schließen Sie das Zulaufwasser-Ventil 5 und das Tankventil 6 , um die Wasserzufuhr zum System zu beenden.
2.	Öffnen Sie den Trinkwasserhahn 3 , um den Permeatdruck zu entlasten.
3.	Trennen Sie den weißen Schlauch vom Einlass im Filtergehäusedeckel.
4.	Schrauben Sie den Deckel des Filtergehäuses ab.
5.	Entfernen Sie die gebrauchte Umkehrosmosemembran 11 (merken Sie sich, welches Ende der Membran wohin gehört).
	
6.	Schmieren Sie die Gummidichtungen der frischen Ersatzmembran und die Dichtung der Membrangehäusekappe. VORSICHT! Um eine Beschädigung der Membran zu vermeiden, verwenden Sie als Schmiermittel nur lebensmittelechtes Glycerin.
7.	Setzen Sie die neue Membran in das Gehäuse ein und achten Sie dabei auf die Richtung und die Position des Schlauchs. VORSICHT! Schneiden Sie den Plastikbeutel auf, um die Umkehrosmosemembran zu installieren. Installieren Sie die Membran, ohne sie vorher auszupacken, indem Sie sie direkt aus dem Beutel in das Gehäuse schieben. Vermeiden Sie es, die Membrane zu berühren, und halten Sie sie nur mithilfe des Beutels fest.
8.	Befestigen Sie den Gehäusedeckel wieder.
9.	Schließen Sie den weißen Schlauch an den Eingang des Membrangehäuses an.
10.	Öffnen Sie das Zulaufwasser-Ventil 5 .
11.	Öffnen Sie das Zulaufwasser-Ventil 5 und den Trinkwasserhahn 3 für 30 Minuten. Drehen Sie Tankventil 6 am Tank 2 in die Position „offen“. Schließen Sie den Trinkwasserhahn 3 und prüfen Sie sorgfältig alle Anschlüsse auf Lecks.
12.	Trinkwasserhahn 3 schließen.
13.	Öffnen Sie das Tankventil 6 .
14.	Öffnen Sie das Zulaufwasser-Ventil 5 .
15.	Sobald der Tank voll ist (das Wasser hört auf zu fließen), lassen Sie das gesamte Wasser aus dem Tank in das Waschbecken ab, indem Sie den Wasserhahn 3 öffnen. Wenn das Wasser aufhört zu fließen, schließen Sie den Wasserhahn 3 , damit sich der Tank wieder füllt. Je nach dem Druck in Ihrer Wasserleitung kann das Füllen 1,5 bis 3 Stunden dauern. Wiederholen Sie diesen Schritt ein zweites Mal. Nach dem zweiten Auffüllen des Tanks können Sie das gereinigte Wasser sicher verwenden.

6. VERWENDUNG

6.4. DAS VERFAHREN ZUM AUSWECHSELN DES AKTIVKOHLE-NACHFILTERS UND/ ODER DES MINERALISIERENDEN NACHFILTERS



Das System darf nur von qualifiziertem Fachpersonal gewartet werden.



Um Ersatzfilter zu kaufen, besuchen Sie <https://www.ecosoft.com/>



Die Aktivkohle-Nachfilter und der Remineralisierer müssen alle 6 Monate getauscht werden.

1.	Schließen Sie das Zulaufwasser-Ventil 5 und das Tankventil 6 .	
2.	Öffnen Sie den Trinkwasserhahn 3 , um den Permeatdruck zu entlasten.	
3.	Trennen Sie die Schläuche, die den Aktivkohle-Nachfilter / Mineralisierungs-Nachfilter mit dem Rest des Systems verbinden (merken Sie sich, was wohin gehört).	
4.	Entfernen Sie den gebrauchten Aktivkohle-Nachfilter / Mineralisierungs-Nachfilter aus den Clip-Halterungen.	
5.	Setzen Sie den neuen Aktivkohle-Nachfilter / Mineralisierungs-Nachfilter ein und orientieren Sie sich dabei an den Pfeilen, die die Fließrichtung des Wassers anzeigen.	
6.	Verbinden Sie die Schläuche mit dem neuen Kohle-Nachfilter / Mineralisierungs-Nachfilter, um ihn an das System anzuschließen.	
7.	Öffnen Sie das Zulaufwasser-Ventil 5 und das Tankventil 6 .	
8.	Sobald der Tank voll ist (das Wasser hört auf zu fließen), lassen Sie das gesamte Wasser aus dem Tank in das Waschbecken ab, indem Sie den Wasserhahn 3 öffnen. Wenn das Wasser aufhört zu fließen, schließen Sie den Wasserhahn 3 , damit sich der Tank wieder füllt. Je nach dem Druck in Ihrer Wasserleitung kann das Füllen 1,5 bis 3 Stunden dauern. Wiederholen Sie diesen Schritt ein zweites Mal. Nach dem zweiten Auffüllen des Tanks können Sie das gereinigte Wasser sicher verwenden. Bei den Filtermodellen mit mineralisierendem Nachfilter kann das gereinigte Wasser nach der Installation leicht trüb sein. Lassen Sie mehrere zusätzliche Tanks mit gereinigtem Wasser ab, bis das Wasser klar ist.	

7. DESINFEKTION DES UMKEHROSMOSEFILTERS

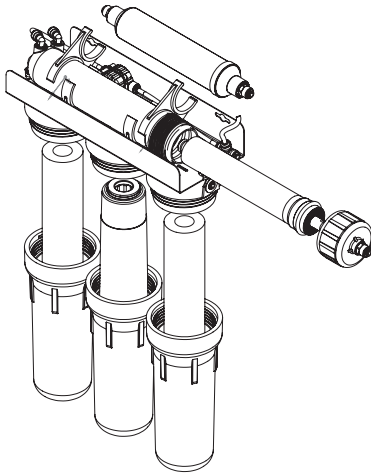
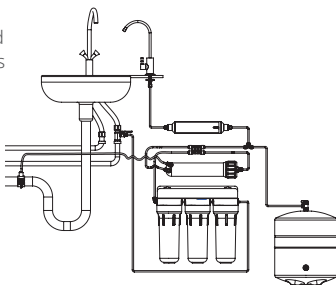


Das System darf nur von qualifiziertem Fachpersonal gewartet werden.

Es wird empfohlen, den Umkehrosmosefilter zu desinfizieren, nachdem er über einen längeren Zeitraum (ca. 6 Monate) in Gebrauch war und wenn der Filter 2 oder mehr Wochen am Stück nicht benutzt wird. Außerdem ist es von Vorteil, wenn das System auch beim Kartuschenaustausch desinfiziert wird. Wir empfehlen Chlordesinfektionstabletten für die Desinfektion von Umkehrosmosefiltern empfohlen.

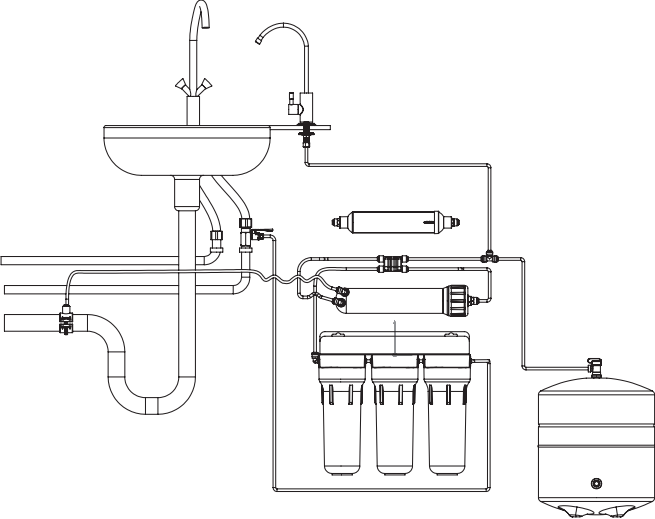
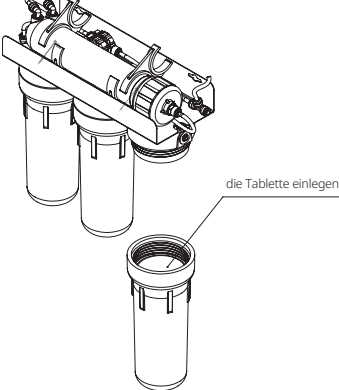


Das Desinfektionsmittel ist gesundheitsschädlich! Bewahren Sie es außerhalb der Reichweite von Kindern auf. Waschen Sie sich nach der Verwendung des Desinfektionsmittels gründlich die Hände.

1.	Schließen Sie das Zulaufwasser-Ventil 5 und das Tankventil 6 .
2.	Entfernen und entsorgen Sie die Vorfilterpatronen und den Aktivkohle-Nachfilter.
	
3.	Schrauben Sie den Deckel des Membrangehäuses ab und entfernen Sie die Membran, falls erforderlich, mit einer Spitzzange. Die Membran in einen dichten Beutel geben und im Kühlschrank bei 2-5 °C (36-41°F) lagern.
4.	Schrauben Sie das 2. und 3. Vorfiltergehäuse wieder an, schrauben Sie den Deckel des Membrangehäuses auf und schließen Sie den Schlauch vom Wasserhahn direkt an das T-Stück ohne Aktivkohle Nachfilter an.
	

DE

7. DESINFEKTION DES UMKEHROSMOSEFILTERS

4.	
5.	<p>Geben Sie eine Chlortablette in das 1., nun leere Filtergehäuse, füllen Sie das Gehäuse mit Wasser und schrauben Sie es wieder an.</p> 
6.	Warten Sie 15 Minuten und öffnen Sie dann das Zulaufwasser-Ventil 5 und den Trinkwasserhahn 3 .
7.	Wenn das aus dem Trinkwasserhahn 3 fließende Wasser nach Chlor zu riechen beginnt, schließen Sie sowohl den Trinkwasserhahn 3 als auch das Zulaufwasser-Ventil 5 .
8.	Lassen Sie das System 2–3 Stunden in Ruhe, damit das Chlor wirken kann.
9.	Öffnen Sie den Trinkwasserhahn 3 und das Zulaufwasser-Ventil 5 und lassen Sie das Wasser laufen, bis der Chlorgeruch verschwunden ist.
10.	Bauen Sie alle austauschbaren Teile wieder in das System ein und öffnen Sie das Tankventil 6 und das Zulaufwasser-Ventil 5 .
11.	Entleeren Sie den Tank und füllen Sie ihn mindestens zwei Mal neu auf (bis kein Chlorgeruch mehr wahrnehmbar ist).

7. DESINFEKTION DES UMKEHROSMOSEFILTERS

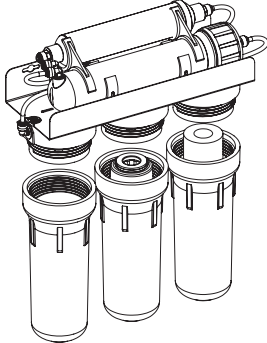
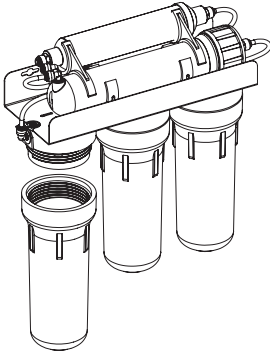
7.1. DESINFEKTION DES DRUCKBEHÄLTERS



Das System darf nur von qualifiziertem Fachpersonal gewartet werden.



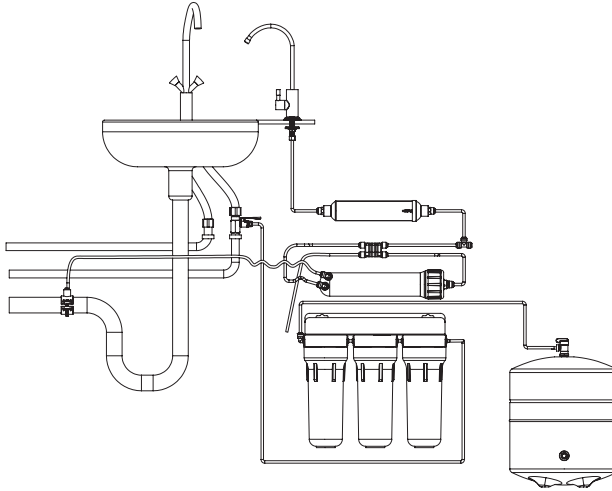
Das Desinfektionsmittel ist gesundheitsschädlich! Bewahren Sie es außerhalb der Reichweite von Kindern auf. Waschen Sie sich nach der Verwendung des Desinfektionsmittels gründlich die Hände.

1.	Zulaufwasser-Ventil 5 schließen.
2.	Öffnen Sie den Trinkwasserhahn 3 und entleeren Sie den Druckbehälter in den Abfluss.
3.	Tankventil 6 schließen.
4.	<p>Vorfilterkartuschen herausnehmen.</p> 
5.	<p>Bauen Sie das zweite und dritte Gehäuse (in Richtung des Wasserflusses) wieder ein.</p> 

DE

7. DESINFEKTION DES UMKEHROSMOSEFILTERS

6. Trennen Sie den Schlauch, der zum Tank führt, vom T-Stück vor dem Aktivkohle-Nachfilter und vom Ausgang des dritten Vorfilters.



7. Geben Sie eine Chlortablette in das 1., nun leere Filtergehäuse, füllen Sie das Gehäuse mit Wasser und schrauben Sie es wieder an.
8. Nach 15 Minuten das Tankventil **6** öffnen.
9. Öffnen Sie das Zulaufwasser-Ventil **5** für 5 Minuten.
10. Schließen Sie das Tankventil **6** und lassen Sie den Behälter 1–2 Stunden in Ruhe, damit die Chlorklösung wirken kann.
11. Öffnen Sie das Tankventil **6** und lassen Sie das gesamte Wasser aus dem Tank in das Waschbecken ab. Trennen Sie vom 3. Vorfilter und schließen Sie alle Schläuche wieder ordnungsgemäß an das System an.
12. Setzen Sie die Kartuschen in die Gehäuse ein und montieren Sie diese wieder. Öffnen Sie nun das Tankventil **6**. Dann öffnen Sie das Tankventil **6** und das Zulaufwasser-Ventil **5**.
13. Entleeren Sie den Tank und füllen Sie ihn mindestens drei Mal neu auf (bis kein Chlorgeruch mehr wahrnehmbar ist).

8. FEHLERBEHEBUNG

Problem	Ursache	Lösung
Leck in der Armatur	Rohr ist nicht fest verbunden	Entfernen und Wiederanbringen des Rohrs
Leck im Ablasssattel	Abflusssattel ist nicht richtig installiert	Bringen Sie den Abflusssattel wieder an, wie in Abschnitt 4.2 in dieser Anleitung beschrieben.
Leck im Vorfilter-Gehäuse	O-Ring-Dichtung fehlt oder ist falsch ausgerichtet	Prüfen Sie, ob die O-Ring-Dichtung richtig in der Gehäusenut sitzt.
	Gehäuse ist nicht fest verbunden	Schrauben Sie das Gehäuse fest
Das Wasser läuft zu langsam aus dem Wasserhahn oder verlangsamt sich einige Sekunden nach dem Öffnen des Wasserhahns merklich	Zulaufwasserdruck zu niedrig	Dieses Umkehrosmose-System benötigt mindestens 3 Bar, um ordnungsgemäß zu funktionieren. Installieren Sie bei Bedarf eine Druckerhöhungspumpe oder wenden Sie sich an Ihren Installationsfachbetrieb.
	Vorfilterkartuschen sind verstopft	Vorfilterkartuschen austauschen
	Membran ist verstopft	Messen Sie den Permeatdurchfluss durch Schließen des Tankventils 6 und Öffnen des Trinkwasserhahns 3. Prüfen Sie mit einem Messbecher, ob die Zeit, die zur Herstellung von 1 l Trinkwasser benötigt wird, wie folgt ist: – 8 Minuten bei einer 50-gpd-Membran; – 5–6 Minuten bei einer 75-gpd-Membran; – 4 Minuten bei einer 100-gpd-Membran. Wenn es doppelt so lange oder länger dauert, um 1 Liter Wasser zu produzieren, muss die Membran möglicherweise ausgetauscht werden (wenden Sie sich an das Geschäft, in dem Sie dieses Produkt gekauft haben).
	Ein Schlauch ist geknickt	Richten Sie das Rohr
	Druckbehälter ist eingefallen	Der Druck im leeren Tank sollte 0,4–0,6 Bar (6–9 psi) betragen. Befüllen Sie den Tank auf den oben genannten Druck.
Das System lässt sich nicht abschalten	Luft im automatischen Absperrventil	Die Luft verschwindet von selbst, wenn das System weiter betrieben wird.
	Zulaufwasserdruck zu hoch	Prüfen Sie den Druck in Ihrer Wasserversorgung. Installieren Sie bei Bedarf einen Druckregler oder wenden Sie sich an Ihren Installationsfachbetrieb.



8. FEHLERBEHEBUNG

Automatisches Absperrventil klopft	Druckstöße in Wasserleitungen	Installieren Sie ein Rückschlagventil an der Hauptleitung in Ihrer Küche oder an der Eintrittsstelle der Wasserversorgung Ihres Hauses. Wenden Sie sich an Ihren Installationsfachbetrieb.
Das System läuft dauerhaft (Wasser wird kontinuierlich abgelassen)	Zulaufwasserdruck zu niedrig	Dieses Umkehrosmose-System benötigt mindestens 3 Bar (44 psi), um ordnungsgemäß zu funktionieren. Falls erforderlich, eine Druckerhöhungspumpe installieren oder einen installationsfachbetrieb hinzuziehen.
	Vorfilterkartuschen sind verstopft	Vorfilterkartuschen austauschen
	Membrane ist verstopft	Messen Sie den Wasserdurchfluss durch Schließen des Tankventils und Öffnen des Wasserhahns. Die gemessene Durchflussmenge sollte der Nenndurchflussmenge der Membran entsprechen.
	Fehlender oder falsch angebrachter Durchflussbegrenzer	Der Durchflussbegrenzer muss in das Rohr eingebaut werden, das vom Membrangehäuse zum Abfluss führt. Der Durchflussbegrenzer muss zum Membrangehäuse zeigen. Wenn er zum Abflusssattelanschluss zeigt, reinigen Sie ihn und tauschen Sie die Enden des Rohrs aus, so dass er am Auslass des Membrangehäuses platziert ist. Wenn kein Durchflussbegrenzer installiert war, installieren Sie einen.
	Versagen des automatischen Absperrventils	Wenn die Umkehrosmoseanlage ununterbrochen läuft, obwohl der Tank voll ist, kann das an einem Ausfall des automatischen Absperrventils liegen. Wenden Sie sich an das Geschäft, in dem Sie dieses Produkt gekauft haben, wenn keine andere mögliche Ursache festgestellt werden kann.
	Versagen des Rückschlagventils in der Übergangsarmatur am Permeatauslass des Membrangehäuses	Der Druck im leeren Tank sollte 0,4–0,6 Bar (6–9 psi) betragen. Befüllen Sie den Tank auf den oben genannten Druck.
	Druckbehälter ist eingefallen	Öffnen Sie den Trinkwasserhahn und lassen Sie etwas Wasser heraus. Es ist normal, dass das System nicht arbeitet, wenn der Drucktank mit Wasser gefüllt ist.
Das System lässt sich nicht einschalten (es läuft kein Wasser in den Abfluss)	Druckbehälter ist voll	Öffnen Sie den Trinkwasserhahn und lassen Sie etwas Wasser heraus. Es ist normal, dass das System nicht arbeitet, wenn der Drucktank mit Wasser gefüllt ist.
	Durchflussbegrenzer ist verstopft	Durchflussbegrenzer reinigen oder ersetzen
	Der Abflusssattel ist nicht mittig in der Öffnung des Abflussrohrs angebracht	Richtiges Positionieren des Abflusssattels

8. FEHLERBEHEBUNG

Das Trinkwasser hat ein milchiges oder trübes Aussehen, das nach ein paar Minuten verschwin	Luft im System	Ein gewisses Maß an Luft im System ist einige Tage nach der Installation des Systems normal. In einigen Fällen können Luftblasen auftreten, wenn das Wasser eine deutlich niedrigere Temperatur hat als die Umgebungstemperatur in Ihrem Haus.
Das Wasser hat einen Geschmack und/oder Geruch	Kohle-Nachfilter ist aufgebraucht	Ersetzen Sie den Nachfilter
	Die Konservierungslösung in der Membran wurde nicht ausgespült	Lassen Sie das gesamte Wasser aus dem Tank ab und lassen Sie das System den Tank wieder auffüllen.
	Verschmutzung im Umkehrosmose-System	Desinfizieren Sie das System gemäß den Anweisungen in Abschnitt 7.
	Verunreinigung im Druckbehälter	Tauschen Sie den Tank aus oder desinfizieren Sie ihn gemäß den Anweisungen in Abschnitt 7.1.
Druckbehälter fasst zu wenig Wasser	Überdruck in der Tankblase	Der Druck im leeren Tank sollte 0,4–0,6 bar (6–9 psi) betragen. Vergewissern Sie sich, dass der Druck in Ihrem Tank mit den oben genannten Werten übereinstimmt.
Aus dem Wasserhahn wird kein Wasser ausgegeben, obwohl der Tank voll ist	Unterdruck in der Tankblase	Der Druck im leeren Tank sollte 0,4–0,6 bar (6–9 psi) betragen. Vergewissern Sie sich, dass der Druck in Ihrem Tank mit den oben genannten Werten übereinstimmt.
	Tankventil ist geschlossen	Tankventil öffnen

DE

9. SERVICEHEFT

Der Hersteller empfiehlt dringend, ein Wartungsprotokoll zu führen, in dem alle durchgeführten Arbeiten wie die Inbetriebnahme des Systems, der Austausch von Filtern und der Membran, die Desinfektion und andere Verfahren festgehalten werden. Diese Informationen vereinfachen Fachleuten die Fehlersuche, wenn es Probleme mit Ihrer Anlage gibt können auch vom Hersteller im Falle von Garantieansprüchen oder Leistungsabweichungen des Systems verlangt werden.

9.1 INBETRIEBNAHME

Datum der Inbetriebnahme, TT.MM. JJ	Druck an der Hauptwasserleitung	Temperatur des Zulaufwassers, °C	Druckminderer vorhanden	Desinfektion durchgeführt, JA/NEIN	Zum Anfüllen des Tanks benötigte Zeit, HH:MM	Rückgewinnungsrate, %	Empfehlungen	Zulaufwasseranalyse vorhanden (JA/NEIN) (Datum der Analyse)	Informationen über die installierten Geräte: Name, Datum der Installation (z. B.: Druckregler, Pumpe, POE-Wasserfilter, ...)	Verkauft von	Installiert von

Die Installationsarbeiten wurden abgeschlossen. Das Produkt wurde getestet und ist voll funktionsfähig. Es wurden keine Beanstandungen hinsichtlich der Produktqualität und/oder der Leistung der für die Installation engagierten Fachleute festgestellt.

Eigentümer:in _____ Unterschrift / Name

Installateur:in _____ Unterschrift / Name

10. LEISTUNGSDATEN

Dieses System wurde gemäß NSF/ANSI 58 auf die Reduzierung der unten aufgeführten Stoffe getestet. Die Konzentration der angegebenen Stoffe im Wasser, das in das System eintritt, wurde auf eine Konzentration reduziert, die kleiner oder gleich dem zulässigen Grenzwert für das Wasser ist, das das System verlässt, wie in NSF/ANSI 58 angegeben.

Substanz	Konzentration im Zulaufwasser (mg/L)	Höchste zulässige Konzentration nach Umkehrosmose (mg/L)
Arsen (fünfwertig)*	0,30 ± 10 %	0,010
Barium*	10,0 ± 10 %	2,0
Kadmium*	0,03 ± 10 %	0.005
Kupfer*	3,0 ± 10 %	1,3
Chrom (sechswertig und dreiwertig)*	0,3 ± 10 % (dreiwertig) 0,3 ± 10 % (sechswertig)	0,05 (sechswertig) und 0,05 (dreiwertig)
Fluorid*	8,0 ± 10 %	1,5
Blei*	0,15 ± 10 %	0,010
Radium 226/228*	25 pCi/L ± 10 %	5 pCi/L
Selenium*	0,10 ± 10 %	0,05
Turbidity*	11 ± 1 NTU	0,5 NTU

*Nur Systeme mit den Membranen TW30-1812-50, TW30-1812-75, CSV181250ECO sind für diese Reduktionsansprüche zertifiziert.

Substanz	Konzentration im Zulaufwasser (mg/L)	Mindestreduktion %
TDS (insgesamt gelöste Feststoffe)	750 ± 40 mg/L	75%

10.1 INFORMATIONEN ZU ARSEN

Vorkommen und Formen von Arsen im Wasser

Arsen (As) ist ein natürlich vorkommender Schadstoff, der in vielen Grundwasserquellen zu finden ist. Es kommt in der Regel in zwei Formen vor, die auch als Valenzen oder Oxidationsstufen bezeichnet werden: fünfwertiges Arsen (As(V), As(+5) oder Arsenat) und dreiwertiges Arsen (As(III), As(+3) oder Arsenit). In natürlichem Grundwasser kann Arsen als dreiwertiges Arsen, fünfwertiges Arsen oder als eine Kombination aus beiden auftreten. Obwohl beide Formen für die menschliche Gesundheit schädlich sind, gilt dreiwertiges Arsen im Allgemeinen als gefährlicher als fünfwertiges Arsen.

Bestimmung des Arsengehalts im Wasser und der Wirksamkeit des Systems

Verbraucher:innen, die die öffentliche Wasserversorgung nutzen, können sich an ihr örtliches Versorgungsunternehmen wenden, um festzustellen, ob bei der Wasseraufbereitung freies Chlor verwendet wird, das für die Umwandlung von dreiwertigem Arsen in fünfwertiges Arsen wichtig ist. Bei privaten Wasserversorgungen oder Gewässern ohne nachweisbare Rückstände von freiem Chlor wird empfohlen, das Wasser testen zu lassen, um die Form des vorhandenen Arsens zu bestimmen. In einigen Fällen kann eine zusätzliche Behandlung erforderlich sein, um dreiwertiges

10. LEISTUNGSDATEN

Arsen zu fünfwertigem Arsen zu oxidieren, damit es vom System wirksam entfernt werden kann.

Anforderungen zur Entfernung von fünfwertigem Arsen

Die Systeme sind speziell für die Entfernung von fünfwertigem Arsen aus Wasser ausgelegt. Es wandelt dreiwertiges Arsen nicht in fünfwertiges Arsen um. Unter Labortestbedingungen wurde gezeigt, dass das System 0,30 mg/L fünfwertiges Arsen auf 0,010 mg/L (10 ppb) oder weniger reduziert und damit die USEPA-Norm für sicheres Trinkwasser erfüllt. Die tatsächliche Leistung des Systems kann in Ihrer Anlage variieren, und es wird empfohlen, das behandelte Wasser regelmäßig zu testen, um sicherzustellen, dass das System ordnungsgemäß funktioniert.

Bedingungen, die die Leistung beeinträchtigen können

Die Fähigkeit des Systems, fünfwertiges Arsen zu entfernen, kann je nach den spezifischen Wasserqualitätsbedingungen vor Ort variieren. So kann beispielsweise das Vorhandensein von Eisen oder anderen Verunreinigungen im Wasser seine Leistung beeinträchtigen.

Komponente zur Entfernung von Arsen und deren Wartung

Die Umkehrosmosekomponente (RO) der Systeme TW30-1812-50, TW30-1812-75, CSV181250ECO und CSV181275ECO ist für die Entfernung von fünfwertigem Arsen verantwortlich. Um die Wirksamkeit des Systems zu erhalten, muss die Umkehrosmosekomponente regelmäßig entsprechend der Angaben in diesem Nutzungshandbuch ausgetauscht werden. Die Häufigkeit des Austauschs und Informationen darüber, wo Sie Ersatzkomponenten erwerben können, finden Sie in der Installations-/Betriebsanleitung.

11. UMWELT- UND GESUNDHEITSSICHERHEIT

Das Produkt hat keine chemischen, radiologischen oder elektrochemischen Auswirkungen auf die Umwelt. Das Produkt gilt nicht als gefährlich in Bezug auf die Auswirkungen auf den menschlichen Körper und erfüllt die Anforderungen der einschlägigen Hygienevorschriften für den vorgesehenen Verwendungsbereich.

12. EINKAUF

Das Produkt sollte vorzugsweise bei autorisierten Verkaufsstellen erworben werden. Überprüfen Sie beim Kauf die Unversehrtheit der Verpackung, das Fehlen mechanischer Beschädigungen und anderer Mängel, den Inhalt des Systems (ohne die Plastiktüten zu öffnen) und das Vorhandensein der Nutzungsdokumentation, insbesondere dieses Handbuchs.

13. TRANSPORT UND LAGERUNG

Der Versand des Produkts kann mit jedem Transportmittel (außer ungeheizt während der kalten Jahreszeit in kälteren Klimazonen) gemäß den für die jeweilige Transportart geltenden Vorschriften für den Warentransport erfolgen. Beachten Sie bei der Handhabung und dem Versand des Produkts die Handhabungsetiketten. Das Produkt sollte in geschlossenen Räumen gelagert werden, um es vor mechanischer Beschädigung, Feuchtigkeitseinwirkung und aggressiven Chemikalien zu schützen. Lagern Sie dieses Produkt in der Originalverpackung des Herstellers bei einer Umgebungstemperatur von 5 °C bis 40 °C und einer relativen Luftfeuchtigkeit von bis zu 80 %, mindestens 1 m von Heizgeräten entfernt.

14. WARNUNGEN UND SICHERHEITSHINWEISE

Lieber Nutzer:

bitte lesen Sie die folgenden Warnhinweise und Empfehlungen sorgfältig, bevor Sie Ihre Umkehrosmoseanlage in Betrieb nehmen. Die Einhaltung dieser Anweisungen gewährleistet nicht nur den ordnungsgemäßen Betrieb deines Systems, sondern hilft Ihnen auch, schwerwiegende Probleme zu vermeiden, die zu Geräteschäden und zum Verlust des Garantieanspruchs führen können.

1. Nutzungshandbuch und lokale Normen

Bitte lesen Sie die Bedienungsanleitung Ihrer Umkehrosmose sorgfältig, bevor Sie Ihre Umkehrosmoseanlage installieren, und informieren Sie sich über die lokalen Sanitärstandards. Die korrekte Einhaltung aller Anweisungen gewährleistet einen sicheren und effizienten Betrieb des Systems und verhindert mögliche Verletzungen oder Schäden. Es wird empfohlen, für die Installation des Systems und damit verbundene Aufgaben qualifizierte Fachleute hinzuzuziehen.

2. Druckschutz

Um den ordnungsgemäßen Betrieb der Anlage zu gewährleisten, muss sie unbedingt vor hohem Druck und plötzlichen Wasserdruckspitzen geschützt werden. Am Wassereinlass muss daher ein Druckregler installiert werden. Das Fehlen eines Druckreglers kann zu einer Beschädigung der Systemkomponenten und zum Erlöschen der Garantie führen. Der optimale Betriebsdruck für das System beträgt 3,5 Bar (52,5 psi).

3. Wartungsprotokoll

Der Hersteller empfiehlt dringend, ein technisches Wartungsprotokoll (Abschnitt 8) zu führen, in dem alle durchgeführten Aktivitäten, wie Inbetriebnahme, Kartuschenwechsel, Membranwechsel, Desinfektion und andere Verfahren festgehalten werden. Diese Informationen sind für Fachleute, die deine Umkehrosmoseanlage bei Problemen reparieren müssen von entscheidender Bedeutung und können für Garantieansprüche oder die Fehlersuche erforderlich sein.

4. Installation durch qualifizierte Fachleute

Das System darf ausschließlich von qualifiziertem Fachpersonal installiert und in Betrieb genommen werden. Diese Umkehrosmoseanlage ist ausschließlich für die Kaltwasseraufbereitung konzipiert.

5. Wasseranalyse

Lassen Sie Ihr Wasser vor der Inbetriebnahme des Systems in einem zertifizierten Labor analysieren, um dessen Qualität zu beurteilen und die Einhaltung der für den ordnungsgemäßen Betrieb des Systems erforderlichen Parameter (Abschnitt 2) sicherzustellen.

Anforderungen an das der Umkehrosmoseanlage zugeführte Wasser:

Indikator	Wert
pH-Wert	6,5–8,5
Mineralisierung	<1500 ppm
Härte	<500 ppm CaCO ₃ (<28 °dH)
Freies Chlor	<0,5 ppm
Eisen	<0,3 ppm
Mangan	<0,1 ppm
Chemischer Sauerstoffbedarf	<5 ppm O ₂
Gesamtkeimzahl (TBC)	<50 KBE/ml
E.-coli-Titer	<3

14. WARNUNGEN UND SICHERHEITSHINWEISE

6. Wasserdeseinfektion

Verwenden Sie das System nicht zur Reinigung von mikrobiologisch unsicherem Wasser oder Wasser unbekannter Qualität, ohne dieses vorher ordentlich zu desinfizieren.

7. Wasserdruck prüfen

Das Wasser muss dem System mit dem vom Hersteller empfohlenen Druck (2–6 Bar) zugeführt werden. Die Verwendung eines Druckminderers ist obligatorisch.

8. Überprüfung auf Lecks

Überprüfen Sie das System nach dem Einbau auf undichte Stellen, vor allem in den ersten zwei Wochen der Nutzung und führen Sie auch danach regelmäßige Kontrollen durch.

9. Regelmäßiger Austausch und Wartung der Filterkartuschen

Die Vorfilterkartuschen sollten spätestens alle sechs Monate ausgetauscht werden. Ein rechtzeitiger Austausch hilft, Schäden an der Umkehrosmosemembran zu vermeiden und einen effektiven Betrieb des Systems zu gewährleisten (Abschnitt 6).

10. Austausch der Umkehrosmose-Membran

Um eine gleichbleibende Wasserqualität zu erhalten, muss die Umkehrosmosemembran alle 1–1,5 Jahre ausgetauscht werden. Wenn der TDS-Wert im gereinigten Wasser 15 mg/L übersteigt, muss die Membran ausgetauscht und das Gerät von qualifiziertem Fachpersonal überprüft werden (Abschnitt 6).

11. Desinfektion nach längerer Ausfallzeit

Wenn das System länger als zwei Wochen nicht benutzt wurde, sind eine Desinfektion und ein vollständiger Austausch der Filterelemente erforderlich (Abschnitt 7).

12. Wasser abdrehen

Bei längerer Abwesenheit (mehr als zwei Tage) wird empfohlen, die Wasserzufuhr zum System abzustellen, um Lecks oder Schäden zu vermeiden.

13. Beschränkung der Haftung

Der Hersteller haftet nicht für zufällige oder indirekte Schäden, die durch die Nichteinhaltung der ausdrücklichen oder stillschweigenden Garantiebedingungen oder durch einen Gerätedefekt verursacht werden. Dazu gehören Schäden am Gerät, Zeitverlust, Unannehmlichkeiten, Schäden an persönlichem Eigentum, Einkommensverluste, wirtschaftliche Verluste, Versandkosten, Reisekosten, Telefongebühren oder andere ähnliche Schäden.

14. Gewährleistungspflicht

Eine unsachgemäße Installation, das Fehlen eines Druckreglers, der vorzeitige Austausch von Komponenten oder die Nichtbeachtung der Anweisungen führen zum Erlöschen der Garantie.

Die Einhaltung dieser Empfehlungen gewährleistet einen stabilen Betrieb deiner Umkehrosmoseanlage und schützt Sie vor unerwünschten Problemen.

15. GARANTIE

Wir freuen uns, dass Sie die Umkehrosmoseanlage von Ecosoft gekauft haben. Wir hoffen, dass unser System Ihnen lange Zeit dienen wird und Ihre Familie mit sauberem Trinkwasser versorgt.

Garantiezeit

Die Garantiezeit für das Produkt beträgt 12 Monate ab dem Datum des Verkaufs über das Einzelhandelsnetz (sofern auf der Garantiekarte nicht anders angegeben).

Garantiebedingungen

Der Hersteller garantiert, dass dieses Wasseraufbereitungssystem frei von Fabrikationsfehlern ist und dass derartige Fehler während der Garantiezeit nicht auftreten, vorausgesetzt, das System wird entsprechend den technischen Anforderungen und Betriebsbedingungen installiert und betrieben.

Wichtig!

Sehen Sie sich die folgenden Materialien sorgfältig an, bevor Sie das System in Betrieb nehmen:

- Das Installations- und Betriebshandbuch für die Umkehrosmoseanlage,
- Die Garantiebedingungen,
- Die Richtigkeit der Garantiekarte und das Vorhandensein eines Kaufbelegs (Quittung, Rechnung, Lieferschein, Inbetriebnahmeprotokoll).

Garantiekarte

Die Garantiekarte ist nur gültig, wenn:

- Das Modell und das Verkaufsdatum korrekt angegeben sind,
- Deutliche Stempel der verkaufenden Firma vorhanden sind.

Verantwortung des Herstellers

Der Hersteller haftet nicht für Schäden, die durch einen Defekt des Geräts verursacht werden, wenn dieser durch falsche Nutzung und Wartung entsteht oder nach der Garantiezeit auftritt.

Schutz vor hohem Druck

Um den ordnungsgemäßen Betrieb des Systems zu gewährleisten, ist ein Schutz vor hohem Druck und plötzlichen Druckänderungen im Wasserversorgungsnetz erforderlich.

Beachten Sie diesbezüglich:

- Am Einlass muss ein Druckregler installiert werden,
- Der optimale Betriebsdruck für das System beträgt 3,5 Bar (52,5 psi).

Wichtig!

Das Fehlen eines Druckreglers kann zu Schäden an den Systemkomponenten führen und die Garantie erlöschen lassen.

Bedingungen für das Erlöschen der Garantie

Eine falsche Installation, das Fehlen eines Druckreglers, der vorzeitige Austausch von Bauteilen, die Nichteinhaltung der Anforderungen an die Wasserzufuhr oder ein Verstoß gegen die Anweisungen führen zum Erlöschen der Garantie.

Die Garantieverpflichtungen erstrecken sich nicht auf:

- Schäden, die durch normale Abnutzung entstanden sind,
- Schäden durch unsachgemäßen Gebrauch,
- Schäden, die durch Modifikationen, Änderungen oder Reparaturen verursacht wurden, die von der Kundschaft oder Drittpersonen vorgenommen wurden,
- Verbrauchsmaterialien (Kartuschen, Umkehrosmosemembranen, Nachkohlefilter, Remineralisierer und andere austauschbare Elemente), deren Lebensdauer von der

15. GARANTIE

Wasserqualität und den Betriebsbedingungen abhängt,

- Schäden durch äußere Einflüsse: Druckspitzen, Temperaturschwankungen, Verschmutzung, mechanische oder chemische Einwirkungen,
- Elektrische Geräte ohne Erdung oder Spannungsstabilisator im Netz,
- Nichteinhaltung der Lager-, Transport- oder Betriebsbedingungen,
- Ausfälle und Fehlfunktionen aufgrund des nicht rechtzeitigen Austauschs von austauschbaren Komponenten oder der Verwendung von Elementen anderer Hersteller.

Wichtig!

Behauptungen bezüglich der Wasserqualität, des Geschmacks und des Geruchs von mit diesem Filter gereinigtem Wasser werden nur akzeptiert, wenn sie durch ein Analyseprotokoll eines akkreditierten Labors belegt werden.

Erlöschen der Garantie

Die Garantie erlischt in den folgenden Fällen:

- Wenn das Produkt für einen anderen als vorgesehenen Zweck verwendet wird,
- Wenn die im Handbuch und in den Betriebsunterlagen angegebenen Betriebsbedingungen nicht eingehalten werden,
- Wenn das Produkt die angegebenen technischen Normen für die Verwendung überschreitet (siehe Punkt 2),
- Wenn gegen Sicherheitsvorschriften, Lagerungs- oder Transportbedingungen verstoßen wird,
- Wenn das Produkt von einem nicht autorisierten Service-Center repariert oder manipuliert wurde,
- Wenn vor dem System kein Druckregler installiert ist.

Wir empfehlen, für die Installation und Inbetriebnahme des Systems die Dienste autorisierter Servicezentren in Anspruch zu nehmen. Wenn Sie sich für die Selbstinstallation oder die Installation durch Dritte entscheiden, kann die Garantie erlöschen, wenn:

- Das System nicht korrekt installiert ist, was zu einem unsachgemäßen Betrieb oder zur Undichtigkeit von Komponenten führt,
- Die Anlage fehlerhaft arbeitet, weil die Reihenfolge der Maßnahmen bei der Inbetriebnahme nicht eingehalten wurde,
- Kein Druckregler vor dem System installiert wurde.

Die Beachtung dieser Empfehlungen gewährleistet einen stabilen Betrieb der Umkehrosmoseanlage und schützt Sie vor unerwünschten Problemen.

Nach der Durchführung der Garantiarbeiten erstellt der Auftragnehmer einen Bericht, in dem die abgeschlossenen Arbeiten und die nicht zu bezahlenden Materialien aufgeführt sind, und sendet ihn dem Auftraggeber zu. Sie müssen diesen Bericht unterschreiben und ein Exemplar innerhalb von 5 Kalendertagen nach Erhalt zurücksenden.

Wird der Bericht nicht zurückgesandt oder werden innerhalb dieser Frist keine Einwände erhoben, gelten die Arbeiten und Materialien als von Ihnen kommentarlos angenommen.

WARNUNG!!!



Bei Selbstinstallation des Systems übernimmt der Hersteller keine Verantwortung und lehnt jegliche Ansprüche ab, die sich aus einer fehlerhaften Installation und einem unsachgemäßen Betrieb des Gesamtsystems ergeben können.

ZERTIFIKATE

Konformitätsbescheinigung für die Ecosoft-Wasseraufbereitungssysteme MO xxx

Bestätigt die Konformität der Produkte mit den wesentlichen Sicherheitsanforderungen der EG-Richtlinien nach dem neuen Konzept.

