



geboclamps

Complete range of GEBO Clamps

Clamps for sealing holes, cracks and porous areas as well as tapping clamps for installing additional branches - both for water-bearing pipes



TYPE DS SEALING CLAMP, LONG VERSION

p. 18



TYPE DSK SEALING CLAMP, SHORT VERSION

p. 19



TYPE ANB TAPPING CLAMP

p. 20



TYPE MD SEALING CLAMP FOR COPPER PIPES

p. 24



TYPE MB TAPPING CLAMP FOR COPPER PIPES

p. 25



TYPE DSK SEALING CLAMP, SHORT VERSION FOR PE PIPES

p. 29



TYPE ANB TAPPING CLAMP FOR PE PIPES

p. 29



Sealing and tapping clamps

MATERIAL USED:

- Top and bottom part of the clamp: **spheroidal graphite cast iron DIN EN 1563** respectively **malleable cast iron DIN EN 1562**
- Screws: **galvanized steel, strength 8.8**
- Sealing sleeve: **EPDM**
- Galvanization: **electrogalvanizing**
- Threads: **according to ISO 7/1 and/or DIN EN 10226-1**

AREAS OF APPLICATION:

DSK sealing clamps of cast iron for steel pipes:

FOR STEEL PIPES DIN EN 10255 and DIN EN 10220 series 1

Typical areas of application:

- sealing of holes caused by mechanical damage in water pipes
- sealing of corrosion holes in water pipes
- sealing of oil-free compressed air pipes
- sealing leaks caused by frost in water pipes

ANB tapping clamps of cast iron for steel pipes:

FOR STEEL PIPES DIN EN 10255 and DIN EN 10220 series 1

Typical areas of application:

- construction of additional branches in water systems
- construction of additional branches on heating pipes

DS sealing clamps of cast iron for steel pipes:

FOR STEEL PIPES DIN EN 10255 and DIN EN 10220 series 1

Typical applications:

- sealing of holes caused by mechanical damage in water pipes
- sealing of corrosion holes in water pipes
- ad hoc sealing of oil-free compressed air pipes
- sealing leaks caused by frost in water pipes
- in the case of cold water, installation in a wall is possible (pressure test required).

All GEBO clamps are designed for continuous operation.

Recommendations:

for the centre drilling process, we recommend using keyhole saws to avoid damage to the turns of the threads.

SEALING CLAMP OF CAST IRON LONG VERSION

TYPE DS

FOR SEALING HOLES, CRACKS AND POROUS CORROSION AREAS

FOR STEEL PIPES

DIN EN 10255 and DIN 10220 serie 1



MEDIA: water, oil-free compressed air

TEMPERATURE: heating water up to 90°C; drinking water up to 25°C

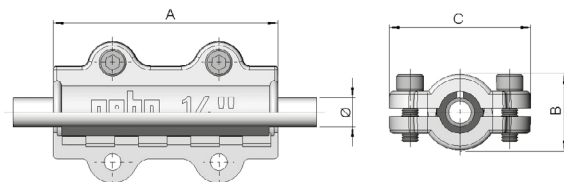
OPERATING PRESSURE: water: 16 bar/60°C, 6 bar/90 °C
oil-free compressed air 10 bar

DN	Pipe Outer- \varnothing [mm]	Code
10	17.2 (3/8")	01.260.28.00
15	21.3 (1/2")	01.252.28.01
20	26.9 (3/4")	01.252.28.02
25	33.7 (1")	01.252.28.03
32	42.4 (1 1/4")	01.252.28.04
40	48.3 (1 1/2")	01.252.28.05
50	60.3 (2")	01.252.28.06
65	76.1 (2 1/2")	01.252.28.07
80	88.9 (3")	01.252.28.08
100	114.3 (4")	01.252.28.09

DIMENSIONS AND WEIGHTS

DN	Pipe Outer- \varnothing [mm]	Weight [kg]	Length		
			~A [mm]	~B [mm]	~C [mm]
15	17,2	0,3	70	28	53
15	21.3	1.1	134	45	84
20	26.9	1.1	134	50	88
25	33.7	1.3	134	57	98
32	42.4	1.5	134	70	105
40	48.3	1.6	134	75	112
50	60.3	1.8	134	90	122
65	76.1	2.2	134	105	139
80	88.9	3.0	134	115	155
100	114.3	3.0	134	140	194

SEALING CLAMPS FOR 17.2 - 114.3 MM STEEL PIPES



SEALING CLAMP OF CAST IRON

TYPE DSK

FOR SEALING HOLES, CRACKS AND POROUS CORROSION AREAS

FOR STEEL PIPES

DIN EN 10255 and DIN 10220 serie 1

MEDIA: water, oil-free compressed air

TEMPERATURE: heating water up to 90°C; drinking water up to 25°C

OPERATING PRESSURE: water: 16 bar/60°C, 6 bar/90°C
oil-free compressed air 10 bar

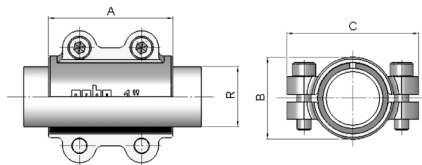


DN	Pipe Outer- \varnothing [mm]	Code
10	17.2 (3/8")	01.260.28.00
15	21.3 (1/2")	01.260.28.01
20	26.9 (3/4")	01.260.28.02
25	33.7 (1")	01.260.28.03
32	42.4 (1 1/4")	01.260.28.04
40	48.3 (1 1/2")	01.260.28.05
50	60.3 (2")	01.260.28.06
65	76.1 (2 1/2")	01.260.28.07
80	88.9 (3")	01.260.28.08
100	114.3 (4")	01.260.28.09

DIMENSIONS AND WEIGHTS

DN	Pipe Outer- \varnothing [mm]	Weight [kg]	Length		
			-A [mm]	-B [mm]	-C [mm]
10	17,2	0.35	70	28	53
15	21.3	0,30	70	33	60
20	26.9	1.40	70	40	70
25	33.7	0.46	70	46	74
32	42.4	0.64	80	57	86
40	48.3	1.03	110	66	94
50	60.3	1.27	100	80	109
65	76.1	1.99	100	100	140
80	88.9	2.38	100	115	150
100	114.3	3.31	100	140	187

SEALING CLAMPS FOR 17.2 - 114.3 MM STEEL PIPES



TAPPING CLAMP

TYPE ANB

OUTLET WITH FEMALE THREAD

FOR STEEL PIPES

DIN EN 10255 and DIN EN 10220 series 1

MEDIA: water

TEMPERATURE: heating water up to 90°C; drinking water up to 25°C

OPERATING PRESSURE: water: 16 bar/60°C, 6 bar/90 °C

CERTIFICATES:

technical Approval: national certifications

hygienic certificate: national certifications



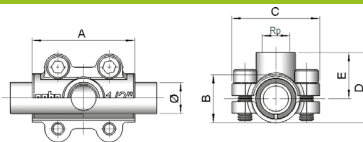
DN	Pipe Outer- \emptyset [mm] x Connecting thread	Code
10	17.2 x 3/8"	01.261.28.0000
15	21.3 x 1/2"	01.261.28.0101
20	26.9 x 1/2"	01.261.28.0201
25	33.7 x 1/2"	01.261.28.0301
25	33.7 x 3/4"	01.261.28.0302
32	42.4 x 3/4"	01.261.28.0402
40	48.3 x 3/4"	01.261.28.0502
50	60.3 x 1"	01.261.28.0603
65	76.1 x 1"	01.261.28.0703

DN	Pipe Outer- \emptyset [mm] x Connecting thread	Code
65	76.1 x 1 1/4"	01.261.28.0704
65	76.1 x 1 1/2"	01.261.28.0705
80	88.9 x 1"	01.261.28.0803
80	88.9 x 1 1/4"	01.261.28.0804
80	88.9 x 1 1/2"	01.261.28.0805
80	88.9 x 2"	01.261.28.0806
100	114.3 x 1"	01.261.28.0903
100	114.3 x 1 1/4"	01.261.28.0904
100	114.3 x 1 1/2"	01.261.28.0905
100	114.3 x 2"	01.261.28.0906

DIMENSIONS AND WEIGHTS

DN	Outlet thread Rp ISO 7/1	STEEL PIPES		Installation length				
		Pipe Outer- \emptyset [mm]	Weight [kg]	-A [mm]	-B [mm]	-C [mm]	-D [mm]	-E [mm]
10	3/8"	17.32	0.2	70	28	53	36	22
15	1/2"	21.3	0.3	70	33	60	50	31
20	1/2"	26.9	0.4	70	40	70	55	32
25	1/2"	33.7	0.5	70	46	74	61	37
25	3/4"	33.7	0.5	70	46	74	61	37
32	3/4"	42.4	0.6	80	57	86	75	45
40	3/4"	48.3	1.0	100	66	94	85	48
50	1"	60.3	1.2	100	80	109	100	60
65	1"	76.1	2.0	100	100	140	115	65
65	1 1/4"	76.1	2.0	100	100	140	115	65
65	1 1/2"	76.1	2.0	100	100	140	115	65
80	1"	88.9	2.4	100	115	150	131	75
80	1 1/4"	88.9	2.4	100	115	150	131	75
80	1 1/2"	88.9	2.4	100	115	150	131	75
80	2"	88.9	3.2	135	115	150	136	75
100	1"	114.3	2.9	100	140	187	160	90
100	1 1/4"	114.3	3.3	100	140	187	160	90
100	1 1/2"	114.3	3.3	100	140	187	160	90
100	2"	114.3	4.4	135	140	187	165	90

TAPPING CLAMPS FOR 17.2 - 114.3 MM STEEL PIPES





SEALING CLAMPS

ASSEMBLY INSTRUCTIONS FOR THE DS AND DSK SEALING CLAMP

FOR STEEL PIPES DIN EN 10255 and DIN EN 10220 series 1

Outer size of steel pipe [mm]	17.2	21.3	26.9	33.7	42.4	48.3	60.3	76.1	88.9	114.3
-------------------------------	------	------	------	------	------	------	------	------	------	-------

MAX. OPERATING PRESSURE/OPERATING TEMPERATURE: water 16 bar/60°C, 6 bar/90

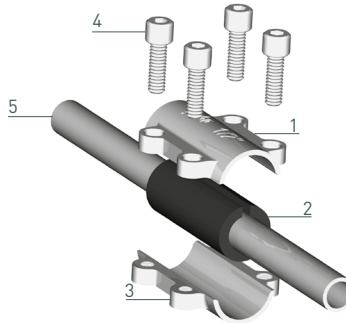
MEDIA: heating water up to 90°C; drinking water up to 25°C, oil-free compressed air

APPLICATION: sealing clamps are designed to seal holes and cracks caused, for example, by corrosion or mechanical damage!

INSTRUCTIONS FOR USE:

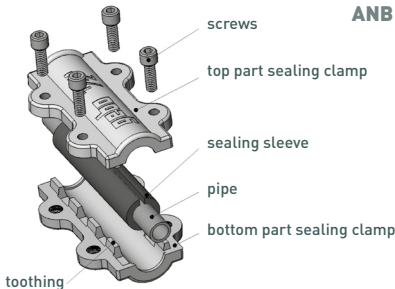
1. Clean pipe (5) around the damaged area.
2. Place sealing sleeve (2) around pipe (5).
3. Rotate the slot of the sealing sleeve (2) on the opposite site of the damaged location.
Cover the damaged location as much as possible with the sleeve (2).
4. Join bottom part (3) to the sleeve (2).
5. Join top part (1) to the sleeve (2).
6. Thread in the screws (4).
7. Tighten screws diagonally (4) with Allen key

DSK

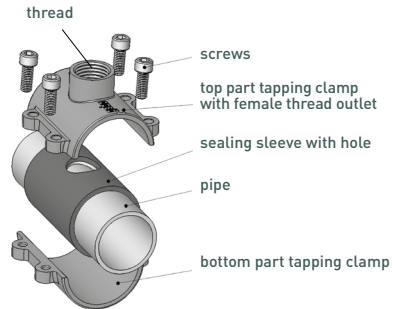


1. Top part
2. Sealing sleeve
3. Bottom part
4. Screws
5. Pipe

DS



ANB



ASSEMBLY INSTRUCTIONS FOR THE ANB TAPPING CLAMP TYPE ANB

FOR STEEL PIPES

DIN EN 10255 and DIN EN 10220 series 1

Outer size of steel pipe [mm]	17.2	21.3	26.9	33.7	42.4	48.3	60.3	76.1	88.9	114.3
outlet ISO 7/1	3/8"	1/2"	1/2"	1/2"	3/4"	3/4"	1"	1"	1"	1"
				3/4"				1 1/4"	1 1/4"	1 1/4"
								1 1/2"	1 1/2"	1 1/2"
									2"	2"

OUTLET: female thread Rp ISO 7/1

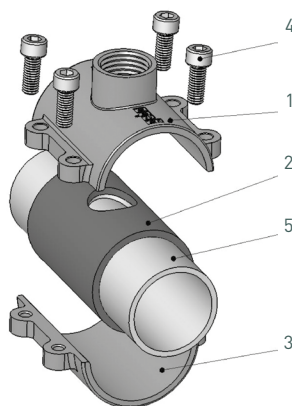
MAX. OPERATING PRESSURE/OPERATING TEMPERATURE: water 10 bar/60°C, 6 bar/90°C

MEDIA: heating water up to 90°C; drinking water up to 25°C

APPLICATION: the tapping clamps are designed for installation of additional branches.

INSTRUCTIONS FOR USE:

1. Clean pipe (5) at the desired centre drilling location.
2. Place the sealing sleeve (2) around the pipe (5).
3. Rotate the sealing sleeve (2) such that the pre-machined hole is placed in the sealing sleeve at the centre drilling.
4. Join top part (1) on the sleeve (2) such that the outlet is covered with the hole in the sleeve (2).
5. Place the bottom part (3) around the sleeve (2).
6. Thread in the screws (4).
7. Tighten screws (4) with Allen key diagonally.
8. Drill with a suitable tool.



1. Top part with the female thread outlet
2. Sealing sleeve with the hole
3. Bottom part
4. Screws
5. Pipe

**MATERIAL USED:**

- **Sealing clamps top part and bottom part:**
brass
- **Socket screws:**
galvanized steel, strength 8.8
- **Sealing sleeve:**
EPDM
- **Connecting thread:**
according to ISO 7/1 respectively DIN EN 10226-1

AREAS OF APPLICATION:

- **Sealing clamps made of brass for copper pipe:**

Copper pipes conforming DIN EN 1057 hard R290 and soft R220.

Also suitable for stainless steel pipe, if the pipe outer- \emptyset of the stainless steel pipe is corresponding to the copper pipe.

Typical areas of application:

Sealing of holes and cracks caused by mechanical damage in water pipes

Sealing of corrosion holes in water pipes

- **Tapping clamp made of brass for copper pipes:**

Copper pipes conforming DIN EN 1057 hard R290 and soft R220

Typical areas of application:

Tapping clamps for drinking water pipelines for additional branches

Tapping clamps for heating pipes for additional branches

All metal materials in contact with drinking water are according to the 4MS composition list for metallic materials used for products in contact with drinking water.

SEALING CLAMP

TYPE MD

FOR SEALING HOLES, CRACKS AND POROUS SPOTS

FOR COPPER PIPES

DIN EN 1057



MEDIA: water

TEMPERATURE: heating water up to 90°C; drinking water up to 25°C

OPERATING PRESSURE: water: PN 10

CERTIFICATES:

technical Approval: national certificates

hygienic certificate: national certificates

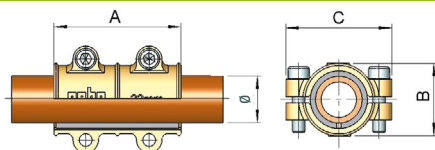
DN	Pipe outer- \emptyset [mm]	Code
8	10	04.620.60.10
10	12	04.620.60.12
12	14	04.620.60.14
12	15	04.620.60.15
12	16	04.620.60.16
15	18	04.620.60.18
20	22	04.620.60.22
25	28	04.620.60.28
32	35	04.620.60.35
40	42	04.620.60.42
50	54	04.620.60.54
65	64	04.620.60.64
65	70	04.620.60.70

DIMENSIONS AND WEIGHTS

DN	COPPER PIPES		Installation length		
	size [mm]	Weight [kg]	-A [mm]	-B [mm]	-C [mm]
8	10.0	0.080	45	21	31
10	12.0	0.090	45	22	32
12	14.0	0.140	50	24	34
12	15.0	0.140	50	26	42
12	16.0	0.140	50	28	44
15	18.0	0.133	50	29	45
20	22.0	0.189	60	34	50
25	28.0	0.256	70	41	57
32	35.0	0.383	70	49	69
40	42.0	0.548	80	58	78
50	54.0	0.900	100	72	92
65	64.0	0.987	100	82	102
65	70.0	1.946	120	92	111

SEALING CLAMP FOR COPPER PIPES

10 - 70 mm





TAPPING CLAMP

TYPE MB **OUTLET WITH FEMALE THREAD**

FOR COPPER PIPES **DIN EN 1057**

MEDIA: water

TEMPERATURE: heating water up to 90°C; drinking water up to 25°C

OPERATING PRESSURE: water PN 10

CERTIFICATES:

technical Approval: national certificates

hygienic certificate: national certificates



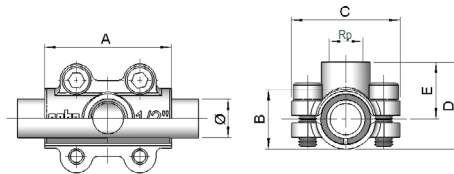
DN	Pipe outer-Ø [mm] x Thread outlet	Code
12	15 x 1/2"	04.621.60.1501
15	18 x 1/2"	04.621.60.1801
20	22 x 1/2"	04.621.60.2201
25	28 x 3/4"	04.621.60.2802
32	35 x 3/4"	04.621.60.3502
40	42 x 1"	04.621.60.4203
50	54 x 1 1/4"	04.621.60.5404

DIMENSIONS AND WEIGHTS

DN	Outlet female thread Rp ISO 7/1	COPPER PIPES		Installation length				
		Pipe Outer-Ø [mm]	Weight [kg]	~A [mm]	~B [mm]	~C [mm]	~D [mm]	~E [mm]
12	1/2"	15.0	0.170	50	26	42	36	25
15	1/2"	18.0	0.190	50	29	45	38	25
20	1/2"	22.0	0.230	60	34	50	41	25
25	3/4"	28.0	0.360	70	41	57	51	30
32	3/4"	35.0	0.460	70	49	69	57	33
40	1"	42.0	0.670	80	58	78	73	44
50	1 1/4"	54.0	1.050	100	72	92	89	52

TAPPING CLAMPS FOR COPPER PIPES

15 - 54 mm



ASSEMBLY INSTRUCTIONS FOR SEALING CLAMPS TYPE MD

FOR COPPER PIPES

DIN EN 1057 hard R290 and soft R220

Pipe dimensions DN	8	10	12	15	20	25	32	40	50	65
Pipe outer Ø	10	12	14	18	22	28	35	42	54	64
			15							70
			16							

MAX. OPERATING PRESSURE/TEMPERATURE: water: Cu-pipe hard 10 bar/60 °C; Cu-pipe hard 6 bar/90 °C; Cu-pipe soft 6 bar/60 °C; Cu-pipe soft 4 bar/90 °C

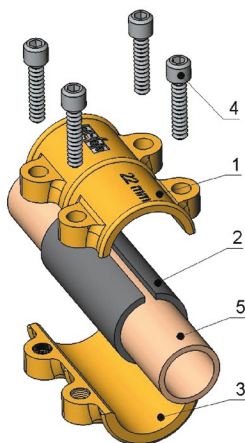
MEDIA: drinking water: up to 25 °C; heating water: up to 90 °C

APPLICATIONS: the sealing clamps are suitable for sealing holes and cracks caused by corrosion or mechanical damage.

INSTRUCTIONS FOR USE:

1. Clean pipe (5) around the damaged area.
2. Place sealing sleeve (2) around pipe (5).
3. Position the slot of sealing sleeve (2) on the opposite side of the damaged location.
Cover the damaged area as much as possible with sealing sleeve (2).
4. Join bottom part (3) to the sleeve (2).
5. Join top part (1) to the sleeve (2).
6. Thread in the socket screws (4).
7. Tighten socket screws (4) diagonally with allen key.

- 1 Top part sealing clamp
- 2 Sealing sleeve
- 3 Bottom part sealing clamp
- 4 Socket screw
- 5 Pipe





ASSEMBLY INSTRUCTION FOR TAPPING CLAMPS TYPE MB

FOR COPPER PIPES

DIN EN 1057 hard R290 and soft R220

Pipe dimensions DN	12	15	20	25	32	40	50
Pipe outer Ø	15	18	22	28	35	42	54
connection thread	1/2"	1/2"	1/2"	3/4"	3/4"	1"	1 1/4"

OUTLET: femal thread Rp ISO 7/1

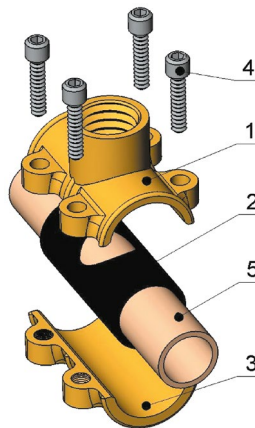
MAX. OPERATING PRESSURE/TEMPERATURE: water: Cu-pipe hard 10 bar /60°C; Cu-pipe hard 6 bar /90°C; Cu-pipe soft 6 bar /60°C; Cu-pipe soft 4 bar /90°C;

MEDIA: drinking water: up to 25°C; heating water: up to 90°C

APPLICATIONS: the tapping clamps are suitable for subsequently adding a branch

INSTRUCTIONS FOR USE:

1. Clean the pipe (5) at the desired centre drilling location.
2. Place the sealing sleeve (2) around pipe (5).
3. Place the sealing sleeve (2) such that the pre-machined hole is placed in the sealing sleeve at the centre drilling.
4. Join top part (1) on the sleeve (2) such that the outlet is covered with the hole in the sleeve (2).
5. Place the bottom part (3) around the sleeve (2).
6. Thread in the socket screws (4).
7. Tighten socket screws (4) diagonally with allen key.
8. Drill with a suitable tool.



- 1 Top part tapping clamp with female thread outlet
- 2 Sealing sleeve
- 3 Bottom part tapping clamp
- 4 Socket screw
- 5 Pipe

AREAS OF APPLICATION:

DSK sealing clamps, short version, of cast iron for PE pipes:

FOR PE PIPES

PE 80, PE 100, PE-Xa (each SDR 11) according to DVGW work sheet GW 335 A2/A3 and DIN 8074/75, DIN EN 12201-2 and DIN 16893

Typical areas of application:

- sealing of holes caused by mechanical damage in water pipes
- sealing leaks caused by frost in water pipes

ANB tapping clamps of cast iron for PE pipes:

FOR PE PIPES

PE 80, PE 100, PE-Xa (each SDR 11) according to DVGW work sheet GW 335 A2/A3 and DIN 8074/75, DIN EN 12201-2 and DIN 16893

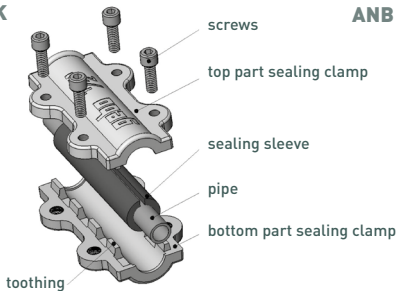
Typical areas of application:

- construction of additional branches in water systems

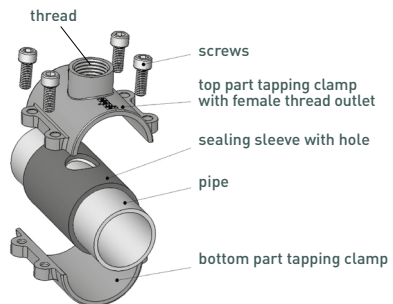
Recommendations:

for the centre drilling process, we recommend using hole saws to avoid damage to the turns of the threads.

DSK



ANB





SEALING CLAMP OF CAST IRON

TYPE DSK

SEALING CLAMP, SHORT VERSION

FOR PE PIPES

PE 80, PE 100, PE-Xa (each SDR 11) according to DVGW work sheet GW 335 A2/ A3 and DIN 8074/75, DIN EN 12201-2 and DIN 16893

MEDIA: water

TEMPERATURE: cold water max. 20°C

OPERATING PRESSURE: PN 10



DN	Pipe Outer- \emptyset [mm]	Code
15	20	03.260.28.20
20	25	03.260.28.25
25	32	03.260.28.32
32	40	03.260.28.40
40	50	03.260.28.50
50	63	03.260.28.63
65	75	03.260.28.75
80	90	03.260.28.90
100	110	03.260.28.110

TAPPING CLAMP

TYPE ANB

OUTLET WITH FEMALE THREAD

FOR PE PIPES

PE 80, PE 100, PE-Xa (each SDR 11) according to DVGW work sheet GW 335 A2/ A3 and DIN 8074/75, DIN EN 12201-2 and DIN 16893

MEDIA: water

TEMPERATURE: cold water max. 20°C

OPERATING PRESSURE: PN 10



DN	Pipe Outer- \emptyset [mm] x Thread outlet	Code
15	20 x 1/2"	03.261.28.2001
20	25 x 1/2"	03.261.28.2501
25	32 x 1/2"	03.261.28.3201
	32 x 3/4"	03.261.28.3202
32	40 x 3/4"	03.261.28.4002
40	50 x 3/4"	03.261.28.5002
50	63 x 1"	03.261.28.6303
65	75 x 1"	03.261.28.7503
	75 x 1 1/4"	03.261.28.7504
	75 x 1 1/2"	03.261.28.7505
80	90 x 1"	03.261.28.9003
	90 x 1 1/4"	03.261.28.9004
	90 x 1 1/2"	03.261.28.9005
	90 x 2"	03.261.28.9006
110	110 x 1"	03.261.28.11003
	110 x 1 1/4"	03.261.28.11004
	110 x 1 1/2"	03.261.28.11005
	110 x 2"	03.261.28.11006