

1 UPS 25-55 180



: 95906404

, PES/PP.

1-

: -25 .. 110 °C
 20 °C
 998.2 / 3

TF

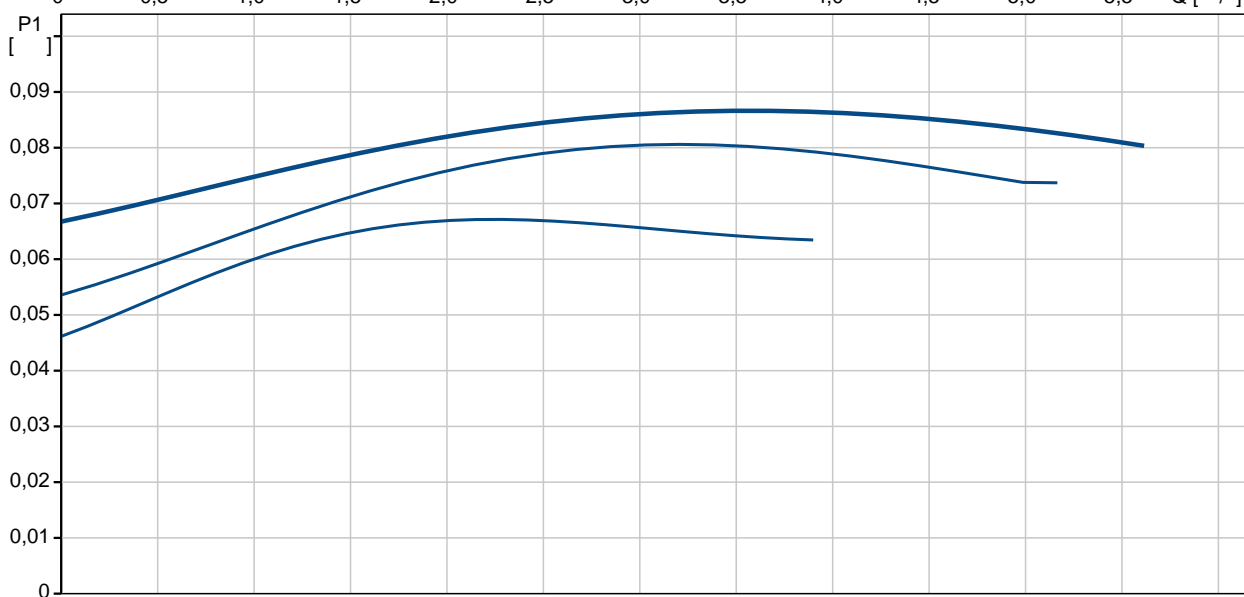
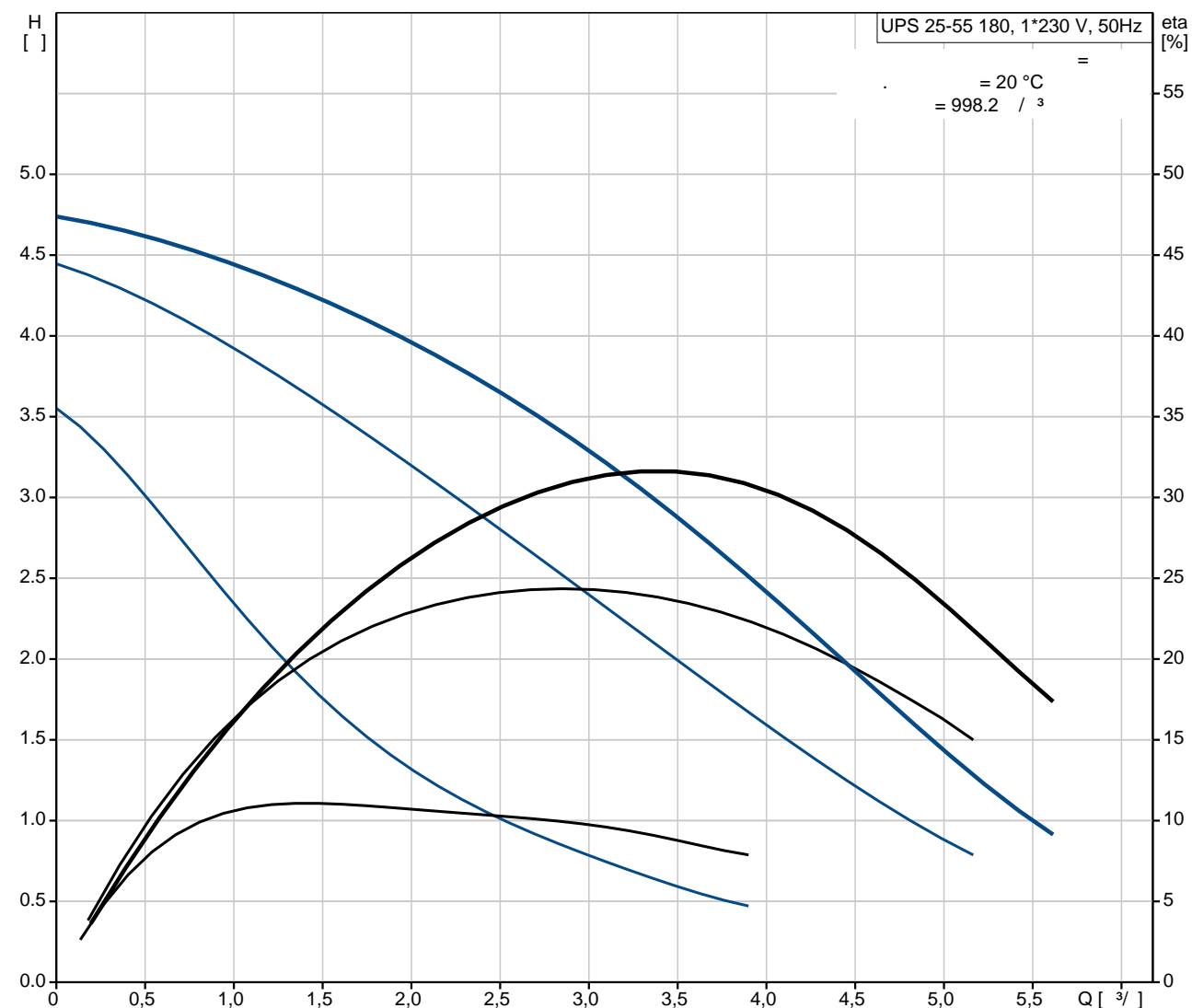
110

EN-JL1030
 ASTM 30 B
 , PES/PP

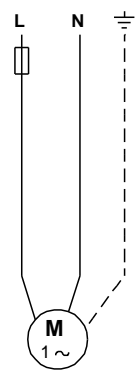
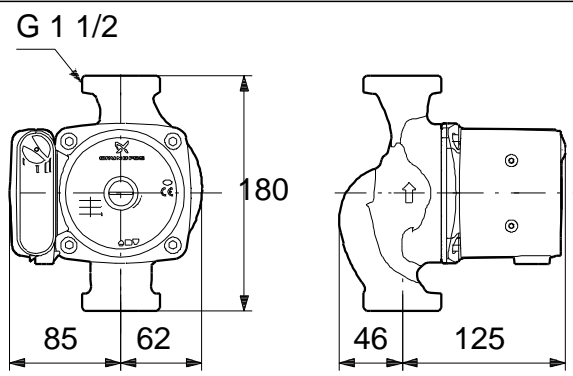
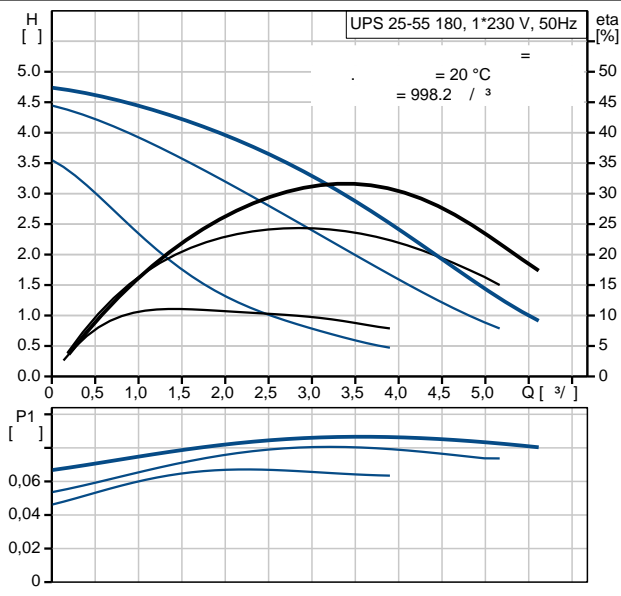
80 0C: 40 °C

10
 G 1 1/2
 PN 10
 180

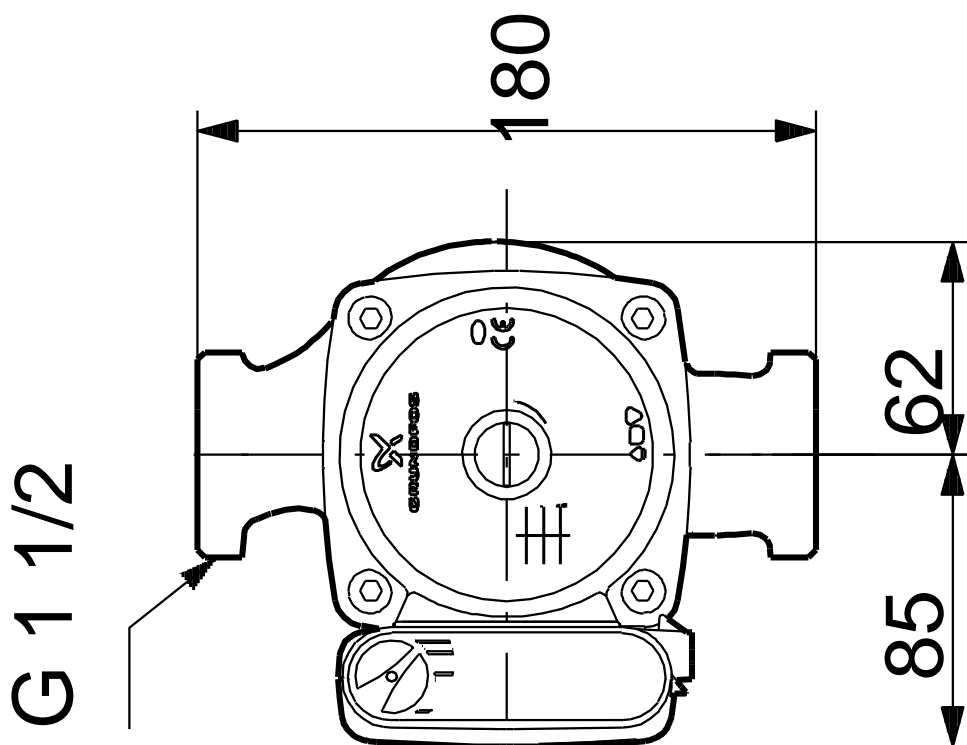
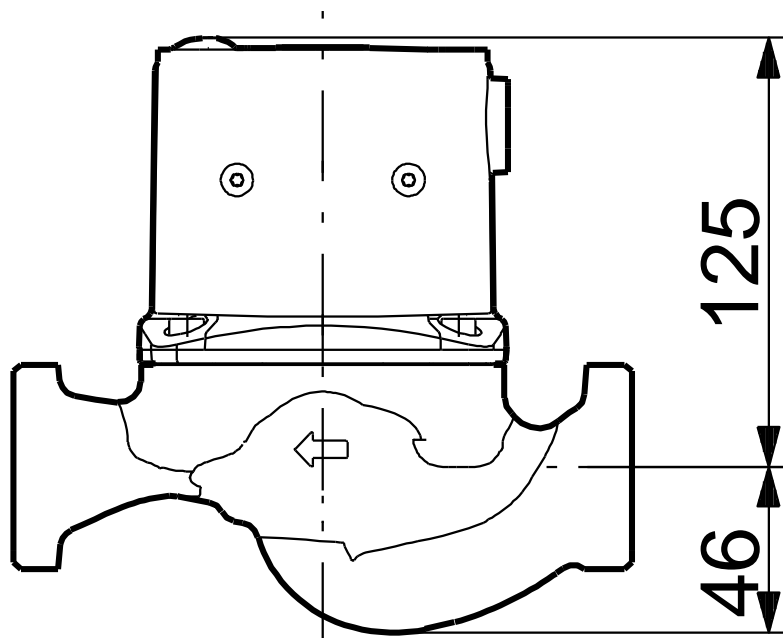
95906404 UPS 25-55 180 50



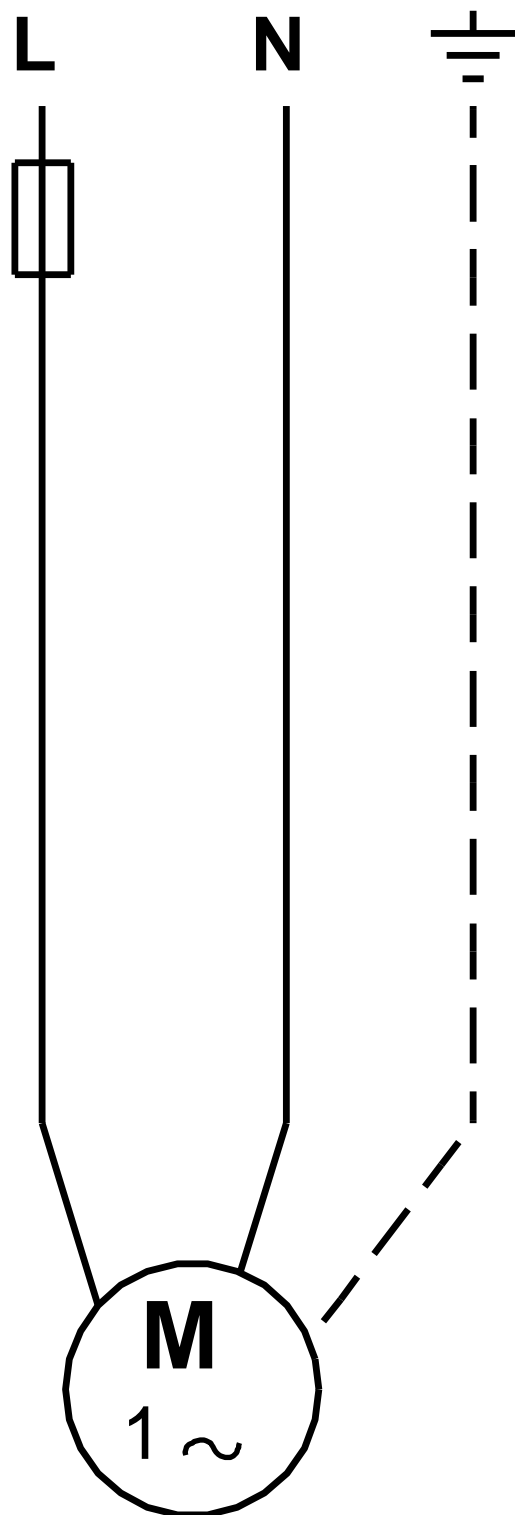
Model	UPS 25-55 180
EAN	95906404 5700310298238
TF	3 55 110
Material	EN-JL1030 ASTM 30 B , PES/PP
Temperature	40 °C
Connection	10 G 1 1/2 PN 10 180
Temperature Range	-25 .. 110 °C 20 °C 998.2 / 3
Current	2.5 1: 65 2: 80 3: 85
Frequency	50 Hz
Voltage	1 x 230 V
Current 1	0.3 A
Current 2	0.36 A
Current 3	0.38 A
IEC 34-5	2.5 X4D
IEC 85	F Contact
Life	9H



95906404 UPS 25-55 180 50



95906404 UPS 25-55 180 50



! []